

LUCAS
Quality
EQUIPMENT
&
SPARE PARTS



1958
ARIEL
MOTOR CYCLES

JOSEPH LUCAS (SALES & SERVICE) LTD · BIRMINGHAM 18 · ENGLAND



EQUIPMENT SPECIFICATIONS AND PAGE INDEX

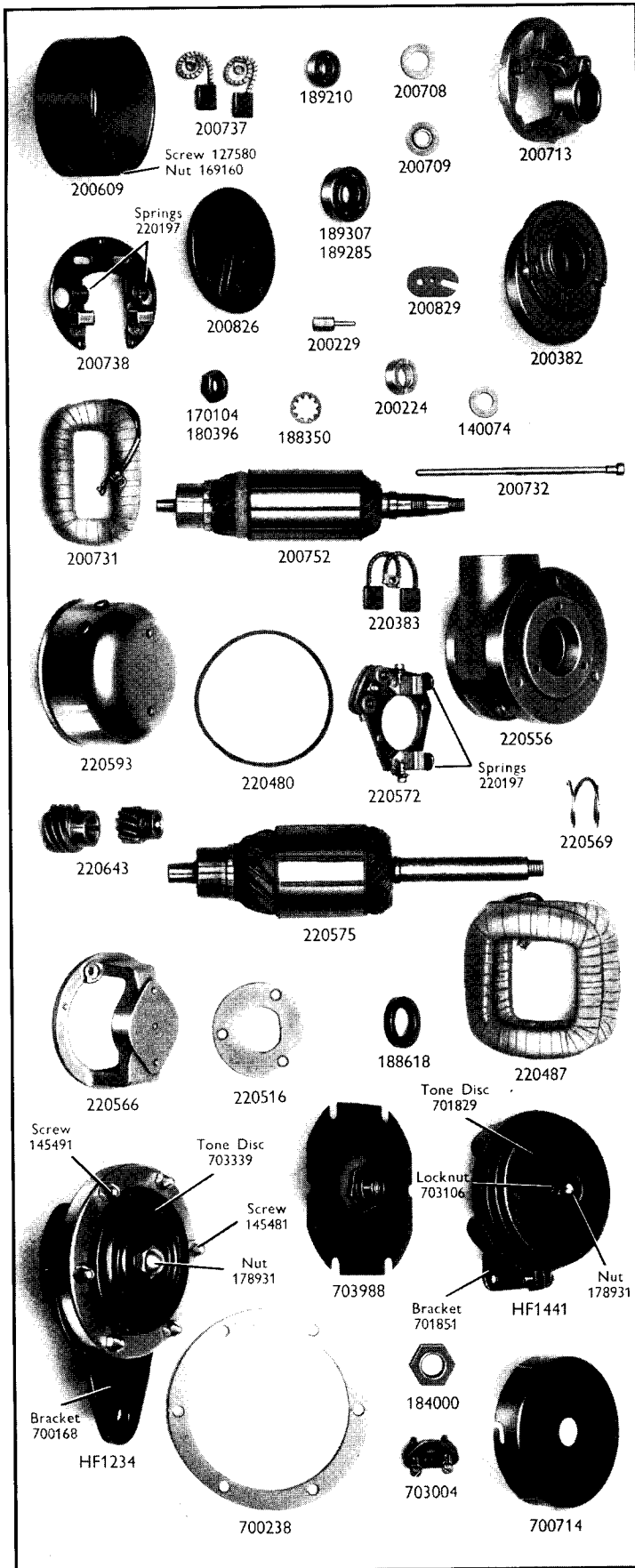
EQUIPMENT SPECIFICATIONS AND PAGE INDEX

UNIT	For details or illustrations see Page No.	350 c.c. "NH" Red Hunter, 500 c.c. Red Hunter, 600 c.c. "VB"		500 c.c. O.H.V. "HS" Scrambles Mk. III		500 c.c. O.H.V. "HS" Scrambles Mk. I Red Hunter		650 c.c. Twin "FH" Huntmaster		1,000 c.c. 4G Square Four	
		Model	Part No.	Model	Part No.	Model	Part No.	Model	Part No.	Model	Part No.
AMMETER	8	CZU27	36084F	CZU27	36084F	CZU27	36084F	CZU27	36084F	CZU27	36220A
BATTERY	—	PUZ7E-9	—	PUZ7E-9	—	PUZ7E-9	—	PUZ7E-9	—	GUZ11E	—
CABLE HARNESS	—	—	838231	—	838621	—	838621	—	838231	—	838361
COIL, IGNITION	8	—	—	—	—	—	—	—	—	MA6	45077B
CONTROL BOX	8	RB108	37225E	RB108	37225E	RB108	37225E	RB108	37225E	RB108	37225E
DISTRIBUTOR	8	—	—	—	—	—	—	—	—	DKX4A	40486A
GENERATOR	3	E3L	20034A	E3L	20034A	E3L	20034A	E3L	20010K	C355D	22011A
HORN	3	HF1441	70136A	HF1441	70136A	HF1441	70136A	HF1441	70136A	HF1234	069239
HORN PUSH AND DIPPER SWITCH	7	25SA	31563D	25SA	31563D	25SA	31563D	25SA	31563D	25SA	31563D
LAMPS — Head											
Home	6	MCH60	51929A	MCH60	51929A	MU42	51625A	MCH60	51929A	MCH60	51929A
Export, Vertical dip	6	MCH60	51930A	MCH60	51930A	—	—	MCH60	51930A	MCH60	51930A
Export, Europe, except France	6	MCH60	51931A	MCH60	51931A	—	—	MCH60	51931A	MCH60	51931A
Export, France	6	SS700P-EF	51820B	SS700P-EF	51820B	—	—	SS700P-EF	51820B	SS700P-EF	51820B
Export, France (later)	6	MCH60EF	51932A	MCH60	51932A	—	—	MCH60	51932A	MCH60	51932A
Stop Tail, Number Plate and Reflex	7	564	53432B	564	53432B	564	53432B	564	53432B	564	53432B
MAGNETO	4	—	—	—	—	KNR1	42157K	—	—	—	—
Auto-advance unit	4	—	—	—	—	—	—	—	—	—	—
MAGDYNO	5	MO1L	46051B	MO1L	46051B	—	—	—	—	—	—
SWITCHES											
Ignition	7	—	—	—	—	—	—	—	—	S53	31083E
Lighting	7	U39	31340A	U39	31340A	U39	31340A	U39	31340A	U39	31340A
Magneto Cut-out	7	—	—	—	—	—	—	—	—	—	—
Stop lamp	7	22B	31437B	22B	31437B	—	—	22B	31437B	22B	31437B
Spring	7	—	315543	—	315543	—	—	—	—	—	315723

Portion of Magdyno



GENERATORS

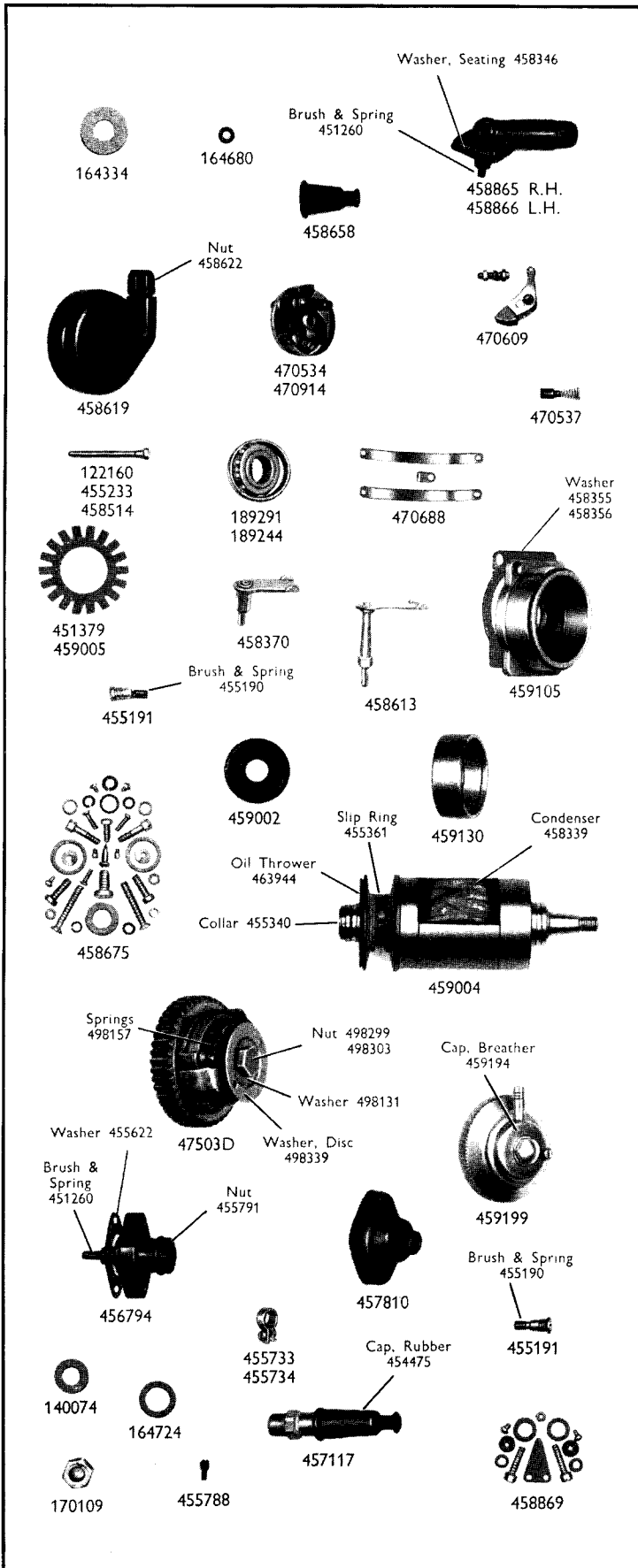


Model	E3L	C35SD
Part No.	20010K	22011A
Detailed Parts		
§Cover, band	200609	220593
Screw, cover band	127580	—
Nut, cover band	169160	—
Ring, rubber, cover sealing	—	220480
§Brushes, set	200737	220383
§Bracket or frame, commutator end	200713	220566
§Bearing, commutator end	189210	189285
Washer, felt, bearing	200708	—
Cup, felt bearing washer	200709	—
§Insulating plate, with brush box	200738	220572
§ Spring, set, brush tension	220197	220197
§Cover assembly	200826	—
Terminal pin	200229	—
Plate, clamp terminal	200829	—
§Bearing, drive end	189307	189307
§Bracket or frame, drive end	200382	220556
Plate, bearing	—	220516
§ Oil Seal	—	188618
§Nut, shaft	170104	180396
Washer, shaft nut	140074	188350
Spring, commutator end	—	220569
§Gear Set	—	220643
Nut, bearing retaining	200224	—
§Armature	200752	220575
§Field coils, set	200731	220487
§Bolt, through fixing	200732	220475
§Sundry parts, set	200806	220557

HORNS

Model	HF1441	HF1234
Part No.	70136A	069239
§Bracket	701851	700168
Tone disc	701829	703339
Screw, cover and bracket fixing	—	145481
Screw, cover fixing	—	145491
Washer, cover and diaphragm	—	700238
Nut, clamp, front	178931	—
§Diaphragm	700714	703988
Nut, diaphragm fixing	184000	184000
§Contact, set	703233	703233
Terminal block	703004	703004
§Sundry parts, set	703235	703235
Nut, tone disc	703106	178931

§Recommended spares for stock



MAGNETO

Model	K2F
Part No.	42248E
Detailed Parts	
§Pickup, right hand	458865
§Pickup, left hand	458866
Washer, seating	458346
§Brush and spring	451260
§Nut, moulded	410600
§Cover, contact breaker end	458619
§Nut, moulded	458622
Screw, contact breaker fixing	122160
§Contact breaker	470534
§Bush, insulating, contact breaker	470555
§Contact Set	470609
§Spring, set, actuating	470688
§Brush and spring	470537
§Cam	459130
§Plate, with bearing ring	459105
§Cup, bearing insulating	451379
Screw, cam fixing	463931
Pin, special, cam timing screw	186060
§Spring, and pin, contact breaker cover	458613
§Washer, .003" end plate packing	458355
§Washer, .005" end plate packing	458356
§Armature	459004
§Slip ring	455361
§Bolt, through fixing	458514
§Condenser	458339
§Oil thrower	463944
§Washer, slip ring to oil thrower	164334
§Collar, steel, bearing retaining	455340
§Bearing, contact breaker end	189291
§Bearing, drive end	189244
§Cup, bearing insulating	459005
§Oil seal, rubber	459002
§Brush, spring and holder, earth	455191
§Brush and spring	455190
§Washer, earth, brush holder	164680
§Spring, and pin, pickup	458370
§Sundry parts, set	458675

AUTO ADVANCE UNITS

Ordering No.	47503E
Detailed Parts	
Washer, cover clip	498131
Washer, disc cover	498339
§Spring set	498157/8
Nut, fixing	498303

MAGNETO

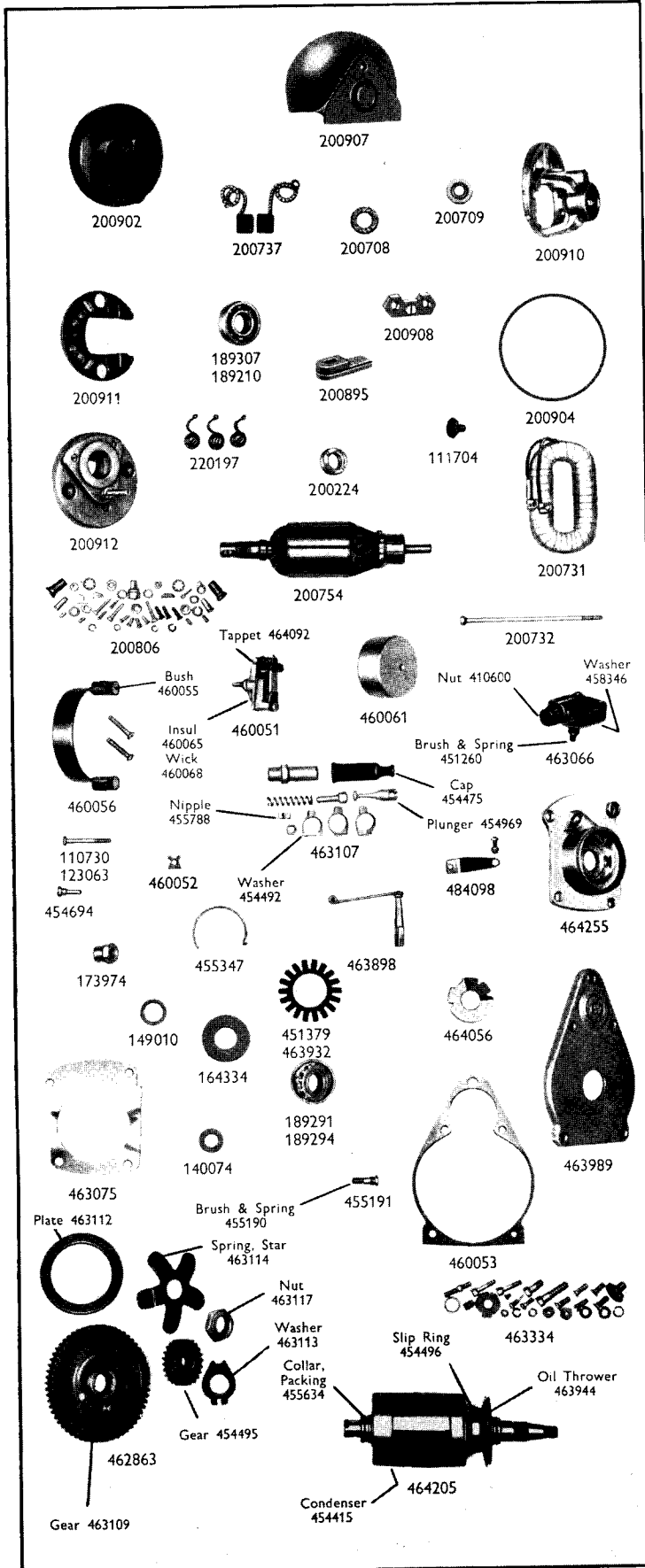
Model	KNR1
Part No.	42157K
Detailed Parts	
§Cover, pickup, rubber	457810
§Clip, cable to cover, with screw and nut	455733
§Pickup	456794
§Brush and spring	451260
§Nut, moulded	455791
§Washer, seating	455622
§Cover, contact breaker	459199
§Ring, rubber, sealing contact breaker cover	457681
§Bolt, securing breather cap	459198
§Cap, breather	459194
§Screw, taper head, contact breaker fixing	455233
§Contact breaker	470914
§Brush and spring	470537
§Control parts, set	457117
§Cover, barrel waterproof, rubber	454475
§Clip, seal, cable to cover	455734
§Plunger, controlling cap	493454
§Nipple, cable	455788
§Nut, shaft	170109
§Washer, plain, shaft	140074
§Brush, spring and holder, magnetic earth	455191
§Brush and spring, magneto	455190
§Sundry parts, set	458869

§Recommended spares for stock

||Order separately



MAGDYNO



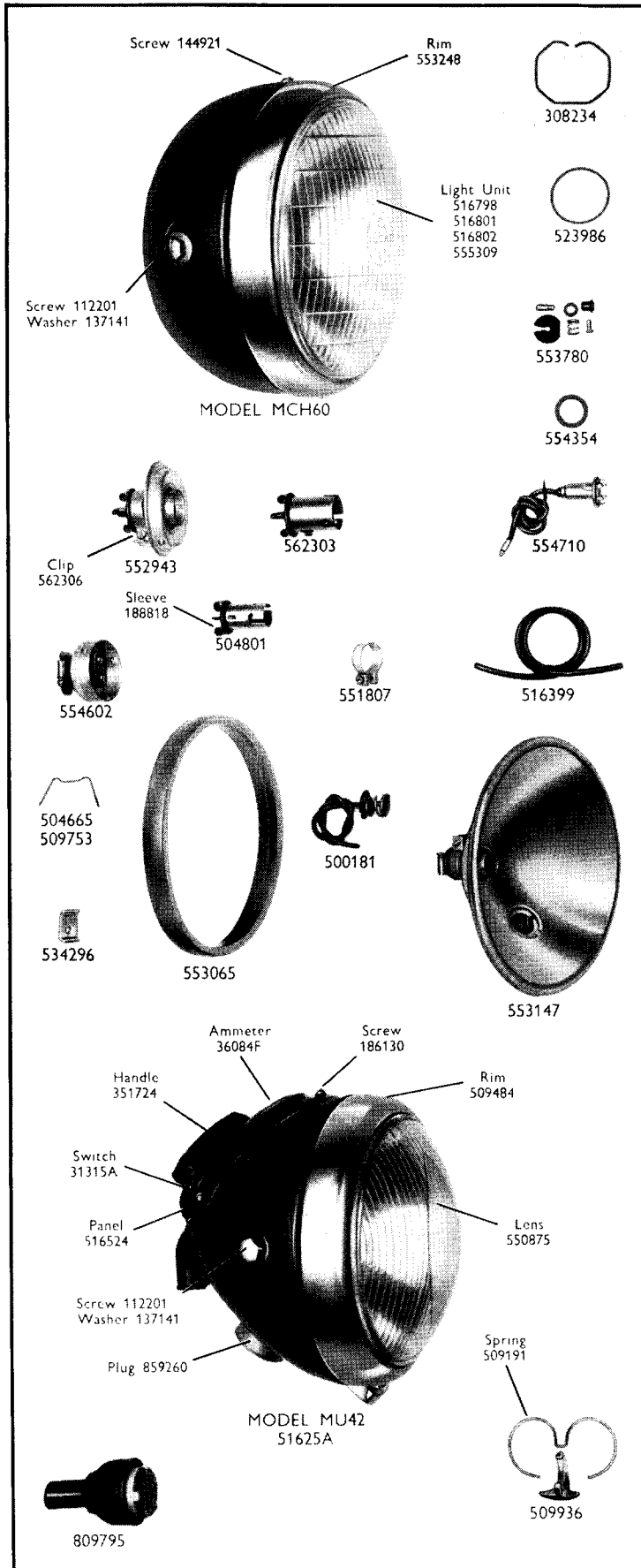
Model ...	Part No.	MO1L 46051B
Detailed Parts		
GENERATOR	20034A	20034A
Brushes, set	200737	200737
Bracket or frame, commutator end	200910	200910
Bearing	189210	189210
Washer, felt bearing	200708	200708
Cup, felt bearing washer	200709	200709
Insulating plate, with brush boxes	200911	200911
Spring set, brush tension	220197	220197
Ring, seating, rubber	200904	200904
Cover, commutator end	200902	200902
Grommet, cable	200895	200895
Plate, clamping terminal	200908	200908
Cover, drive end, fairing	200907	200907
Bearing, drive end	189307	189307
Bracket or frame, drive end	200912	200912
Screw, generator to magneto	123063	123063
Screw, gear retaining	111704	111704
Nut, bearer retaining	200224	200224
Gear, driving	454495	454495
Armature	200754	200754
Field coils, set	200731	200731
Bolt, through fixing	200806	200806
Sundry parts set	200806	200806
MAGNETO, COMPLETE	464242	464242
Strap assembly	460056	460056
Bush	460055	460055
Pick up	463066	463066
Brush and spring	451260	451260
Nut, moulded	410600	410600
Washer, pick up seating	458346	458346
Cover, contact breaker	460061	460061
Contact breaker	460051	460051
Plate, carrier insulating	463983	463983
Bush, carrier fixing screw	460066	460066
Bush, centre of contact breaker	460067	460067
Screw, carrier fixing	460068	460068
Wick, felt	484098	484098
Contact set	460052	460052
Screw, contact breaker fixing	110730	110730
Washer, contact breaker fixing screw	460052	460052
Tappet, contact point	464092	464092
Ring, jump, cam fixing	455347	455347
Cam	464056	464056
Control parts set	463107	463107
Cap, rubber	454475	454475
Washer, barrel	454492	454492
Plunger	454969	454969
Nipple, cable	455788	455788
Spring, pin	463898	463898
Terminal, earthing	186471	186471
Screw, sealing	454694	454694
Plate, end with bearing outer race	464256	464256
Cup, bearing insulating	451379	451379
Washer, end plate packing	463075	463075
Nut, shaft	173974	173974
Plate, shaft nut	140074	140074
Plate, end	463989	463989
Washer, paper, end plate	460053	460053
Gear set, magneto	462863	462863
Nut, gear fixing	463117	463117
Washer, gear fixing nut	463113	463113
Spring, star, gear clutch	463114	463114
Plate, gear friction	463112	463112
Gear, celeron	463109	463109
Armature	464205	464205
Core, wound	490185	490185
Condenser	454415	454415
Slip ring	454496	454496
Washer, slip ring to oil thrower	164334	164334
Oil thrower	463944	463944
Washer, bearing packing	149010	149010
Collar, steel, bearing packing	455634	455634
Bearing, contact breaker end	189291	189291
Bearing, drive end	189294	189294
Key, woodruff	189386	189386
Brush, spring and holder	455191	455191
Brush and spring	455190	455190
Washer, earth brush holder	161728	161728
Cup, bearing insulating	463932	463932
Sundry parts, set	463334	463334

§Recommended spares for stock

||Order separately



HEADLAMPS



Model	SS700P	MCH60
Home, dip left		
Part No.	—	51929A
§Light unit	—	555309
§Adaptor	—	554602
§Bulb, main	—	373
Export, vertical dip		
Part No.	—	51930A
§Light unit	—	516798
§Adaptor	—	554602
§Bulb, main	—	312
Export, Europe, except France		
Part No.	—	51931A
§Light unit	—	555275
§Adaptor	—	554602
§Bulb, main	—	403
Export, France		
Part No.	51820B	51932A
§Light unit	516802	516802
§Backshell	552943	552943
§Bulbholder	562303	562303
Clip and screw, bulbholder	562306	562306
	Parts common to above lamps	Parts common to above lamps
§Rim	553248	553248
§Wire, light unit fixing	504665	504665
§Screw, rim fixing	144921	144921
§Place, rim fixing	534296	534296
§Sleeve, terminal	188818	188818
§Bulbholder, pilot	554710	554710
§Interior, pilot bulbholder	553780	553780
§Ring, rubber seating	554354	554354
§Bulb, pilot	988	988
§Screw, lamp fixing	112201	112201
§Washer, lamp fixing screw	137141	137141
§Nut, lamp fixing	187110	187110
§Connector, single	900288	—
§Nipple, cable	900269	—
§Grommet, cable entry	—	859060
§Body assembly	517003	517215

HEADLAMPS

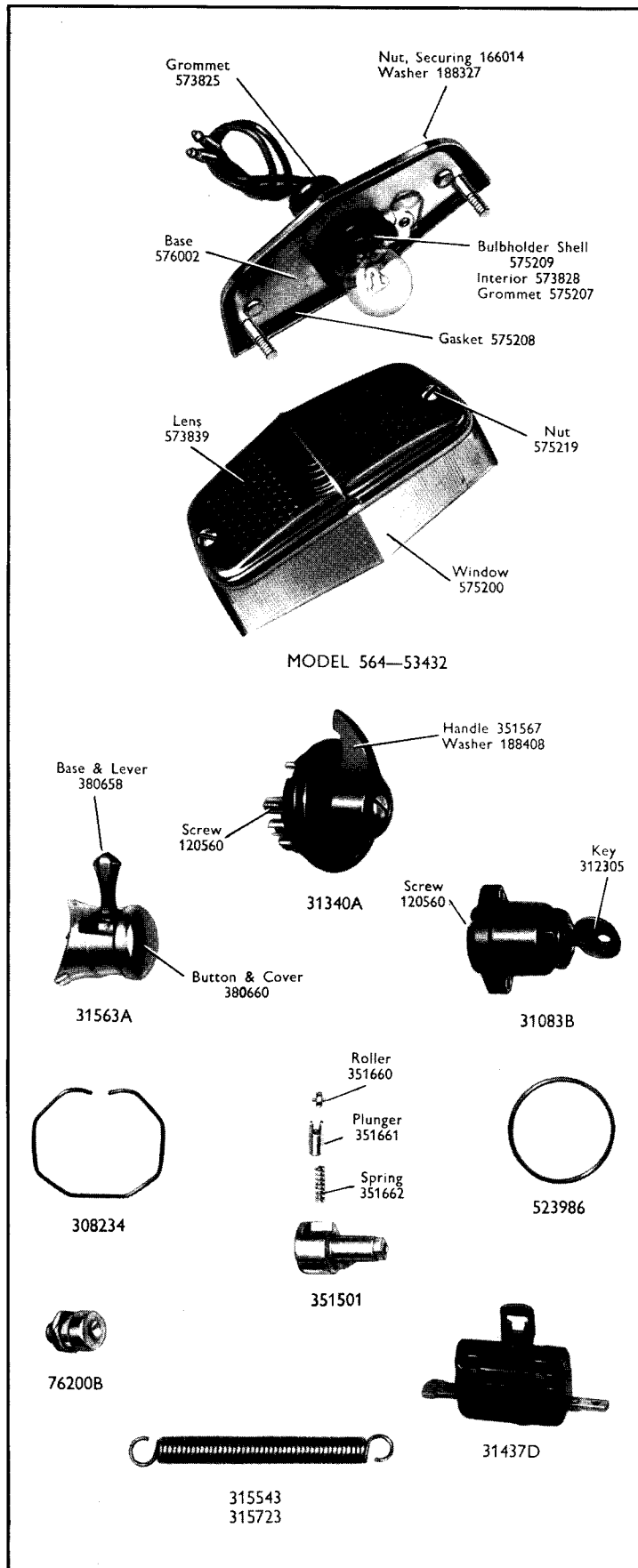
Model	MU42
Part No.	51625A
Detailed Parts	
§Panel assembly	516524
§Screw, panel fixing	186130
§Ammeter	36084
§Rubber, ring	523986
§Nut, terminal	166043
§Washer, lock	185022
§Switch, lighting	31315
§Handle, with fixing screw	351724
§Screw, fixing	101893
§Shaft, headpiece	351501
§Roller, contact	351660
§Plunger, contact	351661
§Spring, contact plunger	351662
§Screw, terminal	120560
§Spring, switch fixing	308234
§Ring, rubber, switch fixing	523986
§Washer, locking handle fixing screw	188408
§Nut, contact stud	166103
§Screw, cable clip	186128
§Washer, cable clip screw	188453
§Rim, with lens	509484
§Wire, set, lens fixing	509753/S
§Lens	550875
§Bead, rubber	553065
§Reflector	553147
§Bulbholder, main	504801
§Clip and screw, bulbholder	551807
§Interior, pilot bulbholder	500181
§Washer, cable grip	516285
§Bulb, main	168
§Bulb, pilot	200
§Catch	509936
§Spring	509191
§Screw, lamp fixing	112201
§Washer, lamp fixing screw	137141
§Sleeve, terminal	188818
§Plug	859260
§Screw, plug fixing	133303
§Nut, plug fixing screw	166103
§Washer, plug fixing screw	185012
§Ring, plug retaining	516409
§Socket	809795
§Body	516402

§Recommended spares for stock

||Order separately



STOP TAIL, NUMBER PLATE AND REFLEX LAMP



Model	564
Part No.	53432B
Detailed Parts	
§ Lens	573839
§ Window	575200
§ Nut, barrel, lens fixing	575219
§ Gasket, lens seating	575208
§ Base	576002
§ Grommet, bulbholder	575207
§ Bulbholder, shell	575209
§ Interior, bulbholder	573828
§ Bulb	384
§ Grommet, cable	573825
§ Nut, lamp fixing	166014
§ Washer, shakeproof	188327
§ Washer, fixing bolt	131023

BULBS — 6 Volt

Bulb No.	Watts	Description
168	24/24	Transverse
200	3	Coil
312	30/24	Transverse, vertical dip
373	30/24	Transverse, dip left
384	18/6	Transverse offset pin
403	35/35	Bow and hooded axial
988	3	Coil, miniature
998	-1 amps.	Coil, miniature screw

HORN PUSH AND DIPPER SWITCH

Model	255A
Part No.	31563D
Detailed Parts	
Button and cover	380660
Base and lever	380658
§ Screw, terminal	120610

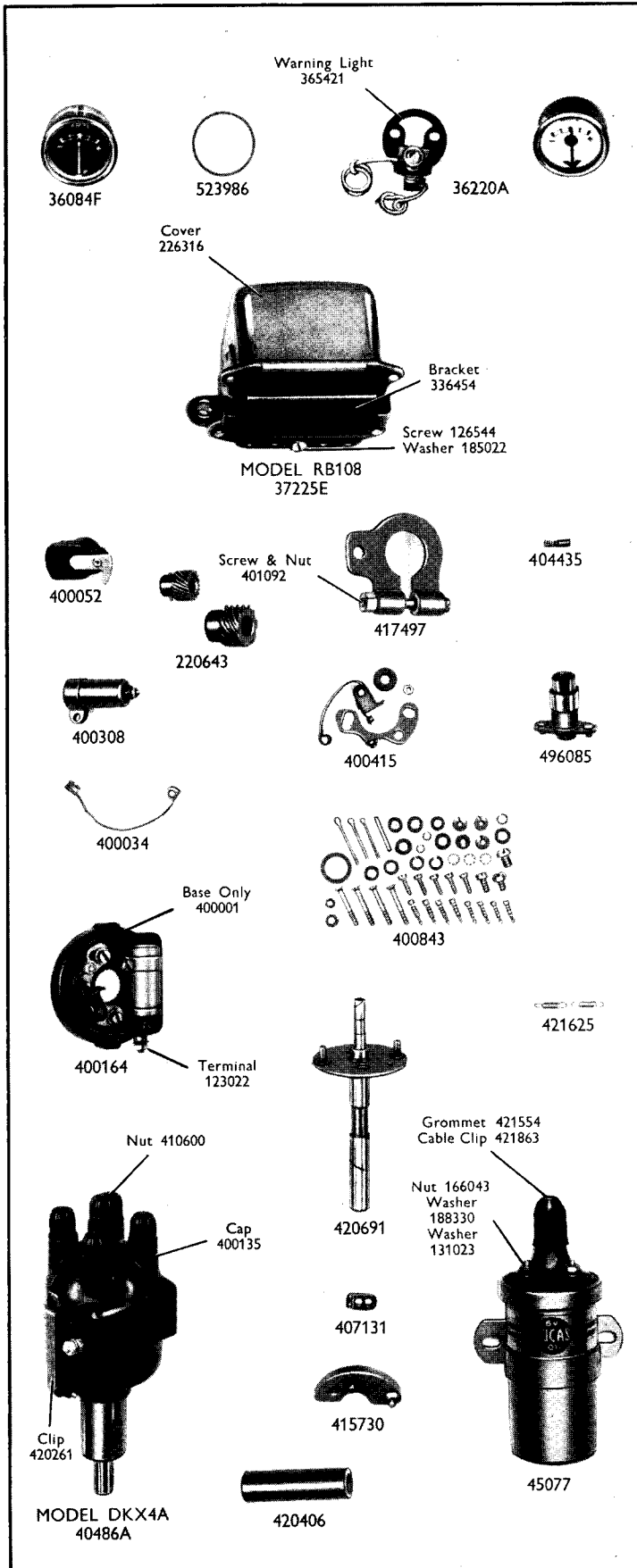
IGNITION SWITCH

Model	S53
Part No.	31083E
Detailed Parts	
§ Screw, terminal	120560
Key	312305

LIGHTING SWITCH

Model	U39
Part No.	31340A
Detailed Parts	
§ Handle, with fixing screw	351567
§ Screw, fixing	101893
Shaft, headpiece	351501
§ Roller, contact	351660
§ Plunger, contact	351661
§ Spring, contact plunger	351662
§ Screw, terminal	120560
§ Spring, switch fixing	308234
§ Ring, rubber, switch fixing	523986
§ Washer, handle fixing screw	188408
§ Nut, contact stud	166103

§Recommended spares for stock



AMMETER

Model	Part No.	CZU27 36084F	CZU27 36220A
Detailed Parts			
§Ring, rubber	...	523986	523986
§Nut, terminal	...	166043	166043
§Washer, terminal	...	185022	185022
§Warning light	...	—	365421
§Bulb	...	—	998

CONTROL BOX

Model	Part No.	RB108 37225E
Detailed Parts		
§Cover	...	226316
Bracket, clamping terminal	...	336454
Screw, plate fixing	...	126544
Washer, plate fixing screw	...	185022
§Screw, adjusting	...	390794
Nut, adjusting	...	390529
Nut, bobbin fixing	...	166014
Washer, bobbin fixing nut	...	185022

DISTRIBUTOR

Model	Part No.	DKX4A 40486A
Detailed Parts		
§Plate assembly	...	417497
§Screw and nut	...	401092
§Gear set	...	220643
§Cap, distributor	...	400135
§Nut, moulded	...	410600
§Brush and spring	...	404435
§Rotor arm	...	400052
§Contact breaker	...	400164
§Condenser	...	400308
§Connector	...	400034
§Contact set	...	400415
§Terminal	...	123022
§Base, moulded	...	400001
§Cam	...	496085
§Springs, set, auto-advance	...	421625
§Weight assembly	...	415730
§Toggles	...	407131
§Shaft and action plate	...	420691
§Bushing, bottom and top	...	420406
§Clip, cap securing	...	420261
§Sundry parts, set	...	400843

COIL, IGNITION

Model	Part No.	MA6 45077B
Detailed Parts		
§Grommet, rubber	...	421554
§Clip, cable contact	...	421863
§Nut, contact breaker and switch terminals	...	166043
§Washer, shakeproof	...	188330
§Washer, plain	...	131023

§Recommended spares for stock