

LUCAS GENERATORS

SECTION

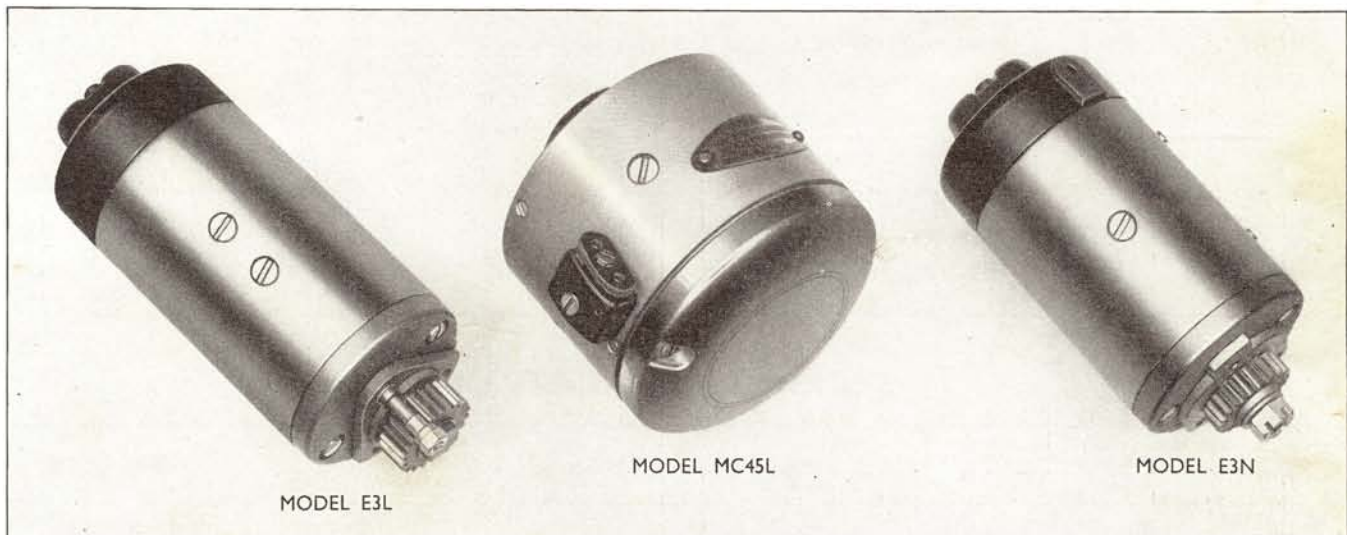
E

ALTERNATORS AND RECTIFIERS

GENERATORS

Model Interpretation

Prefix		Suffix	
C	Concentrically mounted armature.	AR	Voltage control, bakelite C.E. bracket, bearing both ends.
E	Eccentrically mounted armature.	B	Contact Breaker.
M	Motor cycle.	D	Distributor mounted.
3	3" diameter yoke.	H	Voltage control.
35	3.5" diameter yoke.	L	Long type yoke, voltage control.
45	4.5" diameter yoke.	M	Magneto mounted.
		N	Voltage control, bearings both ends.
		S	Short type yoke.



For detailed spare parts, see pages E6-E11

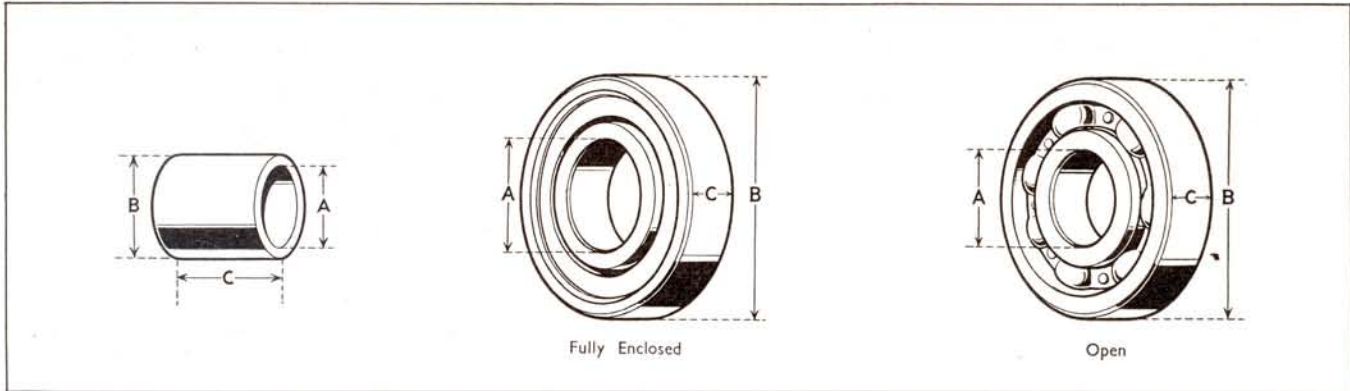
Model Reference

Model	Ordering No.	Model	Ordering No.	Model	Ordering No.	Model	Ordering No.
C35SD	22003	E3H	20007	E3HB	200443	E3L	20037
C35SD	22011	E3H	20008	E3HB	200444	E3LM	20012
E3A	200173	E3H	200283	E3HM	20006	E3LM	20013
E3A/0	200171	E3H	200284	E3HM	20018	E3LM	20033
E3AR	20017	E3H	200389	E3HM	20019	E3LM	20034
E3AR	200364	E3H	200424	E3HM	20020	E3MD	200050
E3AR	200430	E3H	200445	E3HM	20021	E3MD	200056
E3AS	200041	E3HB	200314	E3HM	200285	E3MD	200057
E3B	200131	E3HB	200315	E3HM	200286	E3MD	200117
E3BS	200218	E3HB	200345	E3HM	200308	E3MD	200118
E3D	200120	E3HB	200388	E3HM	200313	E3MD	200125
E3D	200122	E3HB	200395	E3L	20009	E3MD	200129
E3D	200278	E3HB	200396	E3L	20010	E3N	20028
E3E	200168	E3HB	200397	E3L	20011	E3N	20038
E3E	200169	E3HB	200400	E3L	20014	MC45	20150
E3E	200172	E3HB	200401	E3L	20035	MC45L	20151
E3ES	200039	E3HB	200429	E3L	20036	MC45L	20152
E3H	20003						



GENERATORS

BEARINGS AND BUSHINGS



BEARING CHART

Part Number	Type	Description	Bore A	Outside Diameter B	Width C
189210	108	Single row; rigid ball journal; light type; metric sizes	8 mm.	22 mm.	7 mm.
189243	RLSSE	Roller journal; light type; fully enclosed; English sizes500"	1.312"	.375"
189284	A8	Ball journal; metric sizes	8 mm.	27 mm.	7 mm.
189285	LS5-PP	Similar to 189295 but fully enclosed500"	1.312"	.375"
189289	A13	Ball journal; metric sizes	13 mm.	30 mm.	7 mm.
189295	LS5	Single row; rigid ball journal; light type; English sizes500"	1.312"	.375"
189307	115	Single row; rigid ball journal; light type; metric sizes	15 mm.	35 mm.	11 mm.

BEARING APPLICATION

Part Number	Fitted to Generators	Application
189210	E3L, E3LM and E3N	Commutator end
189243	IA45 (Alternator)	Contact breaker end
189284	E3AR, E3AS, E3B, E3BS, E3D, E3E, E3ES and E3MD	Commutator end
189285	C35SD	Commutator end
189289	E3A, E3AR, E3AS, E3B, E3BS, E3D, E3E, E3ES, E3MD and E3H	Drive end
189295	C35SD and MC45L	Commutator end
189307	C35SD, E3H, E3HB, E3HM, E3L, E3LM and E3N	Drive end

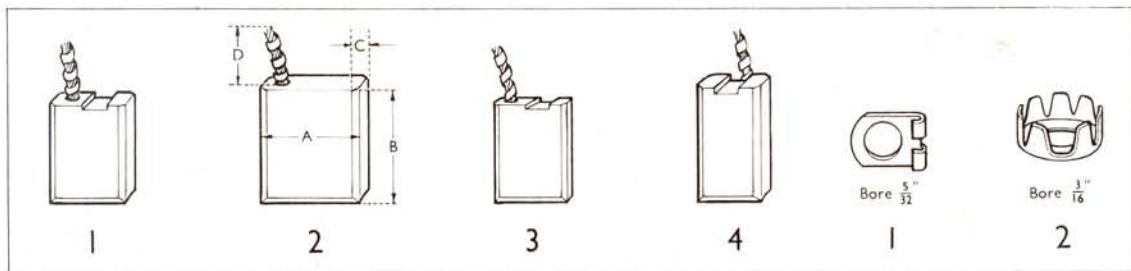
BUSHING CHART

Part Number	Fitted to Generators	Application	Dimensions		
			Bore A	Diameter B	Width C
200231	E3H, E3HB and E3HM ..	Commutator end bracket ..	.318"	.441"	.468"

GENERATORS



BRUSH SETS

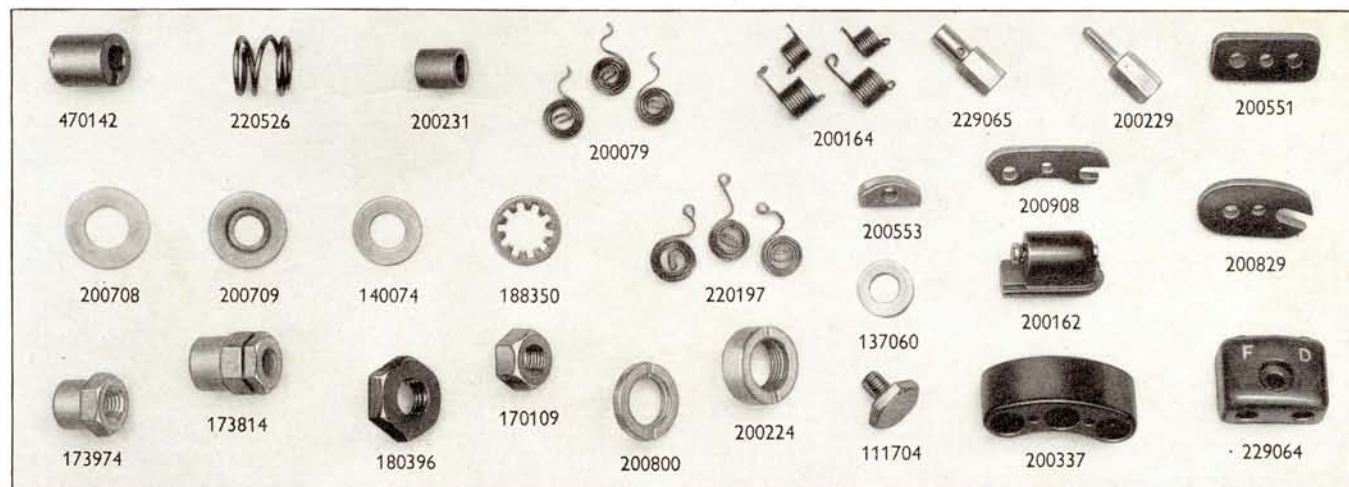
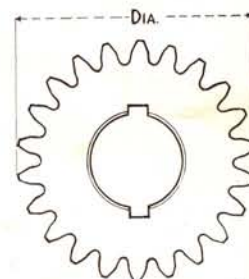


Ordering Number	Fitted to Generators	Number off per set	Set comprises	DIMENSIONS				Brush Index Number	Eyelet Index Number
				A	B	C	D		
* 200027	E3A, E3AS, E3E and E3ES ..	3	2 off 200007 1 off 200567	.500"	.372"	.247"	2.937"	1	—
200163	E3B, E3D and E3MD ..	3		2 off 200017 1 off 200016	.500"	.372"	.097"	1.750"	3
200290	E3AR, E3H, E3HB and E3HM ..	2	200275	.625"	.372"	.247"	1.750"	2	2
200737	E3L, E3LM and E3N ..	2		200736	.937"	.372"	.093"	2.500"	3
229182	MC45	2	229063	.500"	.372"	.247"	2.937"	1	1
229161	MC45L	4	2 off 229096 *1 off 229155	.562"	.497"	.247"	3.250"	2	1
220383	C35SD	2		220173	.310"	.593"	.247"	1.750"	4
				.310"	.593"	.247"	4.500"	4	—
				.562"	.497"	.247"	2.000"	2	1

GEARS

Ordering Number	Fitted to Generators	Outside Diameter	Number of Teeth	Type of Gear	
220498 220643	C35SD (for dimensions see page G42)	—	—	—	
451385		E3MD	1.385"	22	Spur
454495		E3HM, E3L and E3LM	1.385"	22	Spur
463644		E3HM	2.142"	40	Spur
464269		E3HM	2.142"	40	Spur

For illustrations, see page E4

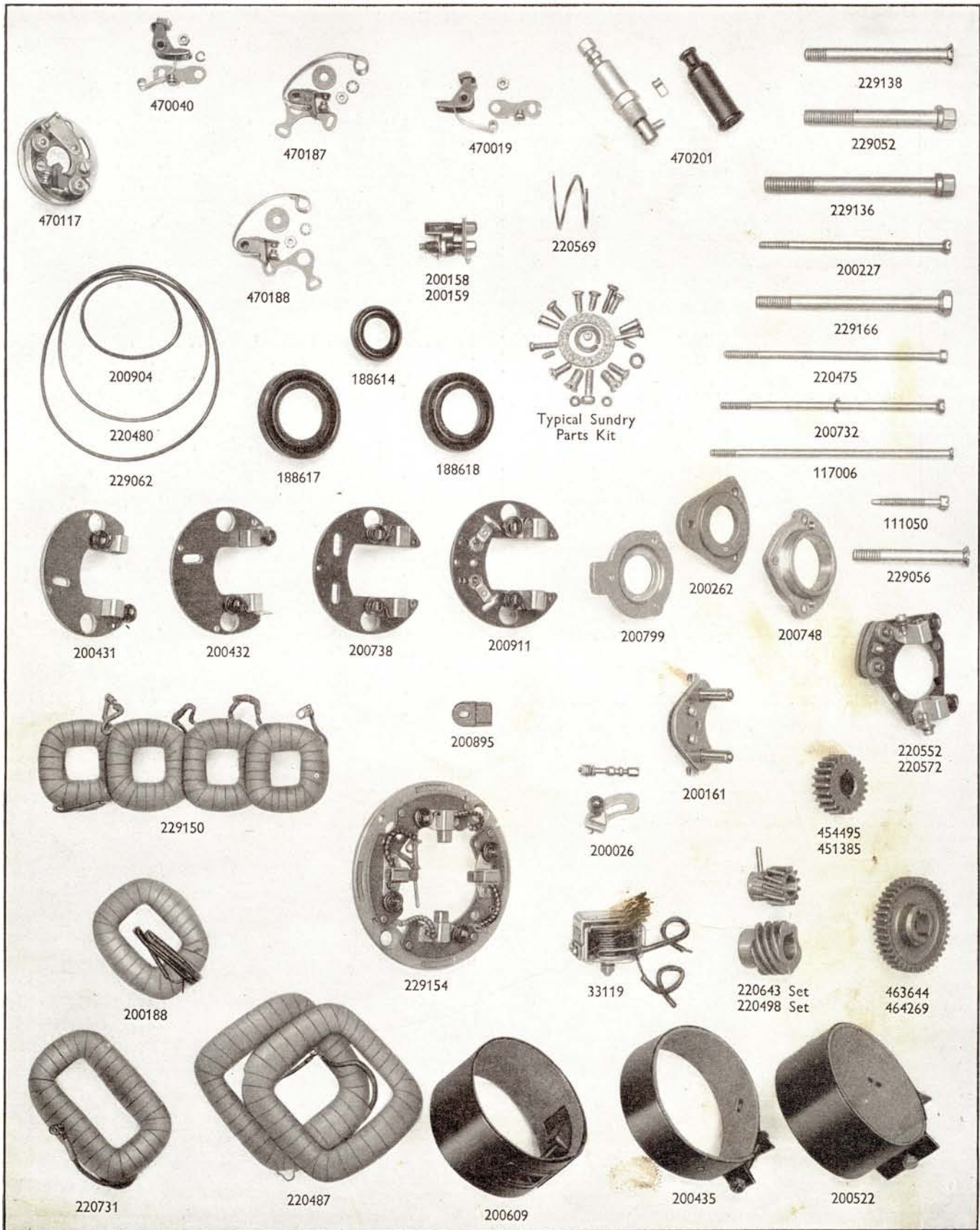


For detailed spare parts, see pages E6-E11

* Twin brushes. Numbers shown in "Set comprises" column are for reference only. Always quote ordering number.



GENERATORS



For detailed spare parts, see pages E6-E11

GENERATORS



200353
200912



200382



200015
200373



200352



200805



200760



200269



220566



200910
200713



200671



229165



200826



470183



200354



229135



200032



220555 Grey
220593 Chrome



200014



220556



200902
200918



200907



200191



229163



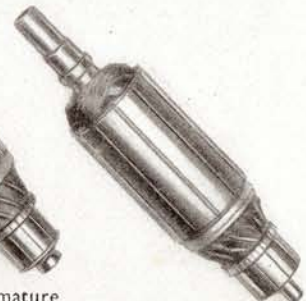
Model MC45L Armature



Model C35SD Armature



Model E3M Armature



Model E3L Armature

For detailed spare parts, see pages E6-E11

DETAILED SPARE PARTS

E6

Ordering No.	*20003A/B	*20006A/B	20007A	20008A	*20009A/J	*20010A/K	20011A/H	*20012A/J	*20013A/J	20014A/J	*20017A/B ‡200430	*20018A ‡200285
Model	E3H	E3HM	E3H	E3H	E3L	E3L	E3L	E3LM	E3LM	E3L	E3AR	E3HM
Voltage	6	6	6	6	6	6	6	6	6	6	6	6
Rotation	Anti-clock	Clock	Anti-clock	Clock	Anti-clock	Anti-clock	Clock	Anti-clock	Clock	Clock	Anti-clock	Clock
Earth or Insulated Return	Earth	Earth	Earth	Earth	Earth	Earth	Earth	Earth	Earth	Earth	Earth	Earth
§Cover band	200609	200609	200609	200609	200609	200609	200609	200609	200609	200609	200435	200522
Screw, cover band fixing	127584	127584	127584	127584	127584	127584	127584	127584	127584	127584	111050	111050
Nut, cover band fixing screw	169160	169160	169160	169160	169160	169160	169160	169160	169160	169160	200553	200553
§Brushes, set	200290	200290	200290	200290	200737	200737	200737	200737	200737	200737	200290	200290
§Bracket or frame assembly, commutator end	*†200270	200269	*†200270	200269	200713	200713	200713	200713	200713	200713	200032	200269
§ Bushing or bearing	200231	200231	200231	200231	189210	189210	189210	189210	189210	189210	189284	200231
Washer, felt, bearing	—	—	—	—	200708	200708	200708	200708	200708	200708	—	—
Cup, felt, bearing washer	—	—	—	—	200709	200709	200709	200709	200709	200709	—	—
§Insulating plate, with brush boxes	†200432	200431	†200432	200431	200738	200738	200738	200738	200738	200738	—	200431
§ Springs, set, brush tension	200079	200079	200079	200079	220197	220197	220197	220197	220197	220197	200079	200079
§Cover assembly, commutator end	200354	200354	200354	200354	200826	200826	200826	200826	200826	200826	—	200354
§Cover assembly, contact breaker	—	—	—	—	—	—	—	—	—	—	—	—
Ring, rubber, cover seating	—	—	—	—	—	—	—	—	—	—	—	—
Ring, sealing, rubber	—	—	—	—	—	—	—	—	—	—	—	—
Grommet, cable	—	—	—	—	—	—	—	—	—	—	—	—
§Cutout assembly	—	—	—	—	—	—	—	—	—	—	—	—
Brush gear assembly	—	—	—	—	—	—	—	—	—	—	—	—
Plate assembly, terminal	—	—	—	—	—	—	—	—	—	—	—	—
Terminal pin	200229	200229	200229	200229	200229	200229	200229	200229	200229	200229	—	200229
Plate, clamping, terminal	200829	200829	200829	200829	200829	200829	200829	200829	200829	200829	200551	200829
§Block or cover, terminal	—	—	—	—	—	—	—	—	—	—	—	—
§Bearing, drive end	189307	189307	189307	189307	189307	189307	189307	189307	189307	189307	189289	189307
§Bracket or frame assembly, drive end	200760	200353	200671	200760	200760	200382	200760	200353	200353	200352	200373	200353
Plate, bearing	200748	200262	200573	200748	200748	—	200748	200262	200262	—	—	200262
Seal, oil	188614	200573	188614	188614	188614	—	188614	—	—	—	—	—
Cover, drive end fairing	—	—	—	—	—	—	—	—	—	—	—	—
§Nut, shaft	—	—	—	—	—	170109	—	—	—	170109	173814	—
Washer, shaft nut	—	—	—	—	—	140074	—	—	—	140074	—	—
§Screw, end, gear retaining	111704	111704	111704	111704	111704	—	111704	111704	111704	—	—	111704
§Gear, driving	—	454495	—	—	—	—	—	454495	454495	—	—	454495
Nut, bearing retaining	—	200224	—	—	—	200224	—	200224	200224	200224	—	200224
§Armature	200572	200304	200572	200572	200712	200752	200712	200754	200754	200752	200370	200304
Bolt, armature fixing	—	—	—	—	—	—	—	—	—	—	—	—
Spring, commutator end	—	—	—	—	—	—	—	—	—	—	—	—
§Field coils, set	200188	200188	200188	200188	200731	200731	200731	200731	200731	200731	200188	200188
§Bolt, through fixing	200227	200227	200227	200227	200732	200732	200732	200732	200732	200732	117006	200227
§Contact breaker complete	—	—	—	—	—	—	—	—	—	—	—	—
Contact set	—	—	—	—	—	—	—	—	—	—	—	—
§Control parts, set	—	—	—	—	—	—	—	—	—	—	—	—
§Cam	—	—	—	—	—	—	—	—	—	—	—	—
§Sundry parts, set	200806	200806	200806	200806	200806	200806	200806	200806	200806	200806	200806	200806

* See Supersession Chart † Identical machines—new five-figure number allocated § Recommended spares for stock
 ‡ Before ordering insulating plates for anti-clockwise units produced after April 1948, refer to illustration on page E4

NOTE.—For details of Dyno-Distributor, Part No. 43752, and Flywheel Magneto, Part No. 047525, refer to Ignition Section G For illustrations, see pages E3–E5

continued

GENERATORS

DETAILED SPARE PARTS

Ordering No.	*20019A ‡200286	20020A	20021A	*20028A/F	20033A	20034A	20035A	20036A	20037A	20038B	*20150A	20151A/D
Model	E3HM	E3HM	E3HM	E3N	E3LM	E3LM	E3L	E3L	E3L	E3N	MC45	MC45L
Voltage	6	6	6	6	6	6	6	6	6	6	6	6
Rotation	Anti-clock	Anti-clock	Anti-clock	Anti-clock	Anti-clock	Clock	Anti-clock	Anti-clock	Clock	Anti-clock	Anti-clock	Anti-clock
Earth or Insulated Return	Earth	Earth	Earth	Earth	Earth	Earth	Earth	Earth	Earth	Earth	Earth	Earth
§Cover band	200522	200522	200522	200609	—	—	—	—	—	—	—	—
Screw, cover band fixing	111050	111050	111050	127584	—	—	—	—	—	—	—	—
Nut, cover band fixing screw	200553	200553	200553	169160	—	—	—	—	—	—	—	—
§Brushes, set	200290	200290	200290	200737	200737	200737	200737	200737	200737	200737	229182	229161
§Bracket or frame assembly, commutator end	*‡200270	*‡200270	*‡200270	200713	200910	200910	200910	200910	200910	200910	229154	229154
§ Bushing or bearing	200231	200231	200231	189210	189210	189210	189210	189210	189210	189210	—	—
Washer, felt, bearing	—	—	—	200708	200708	200708	200708	200708	200708	200708	—	—
Cup, felt, bearing washer	—	—	—	200709	200709	200709	200709	200709	200709	200709	—	—
§Insulating plate, with brush boxes	‡200432	‡200432	‡200432	200738	200911	200911	200911	200911	200911	200911	—	—
§ Springs, set, brush tension	200079	200079	200079	220197	220197	220197	220197	220197	220197	220197	200079	200079
§ Cover assembly, commutator end	200354	200354	200354	200826	200902	200902	200918	200918	200918	200918	—	229135
§Cover assembly, contact breaker	—	—	—	—	—	—	—	—	—	—	—	—
Ring, rubber, cover seating	—	—	—	—	—	—	—	—	—	—	229062	229062
Ring, sealing, rubber	—	—	—	—	369201	369201	369201	369201	369201	369201	—	—
Grommet, cable	—	—	—	—	200895	200895	200895	200895	200895	200895	—	—
§Cutout assembly	—	—	—	—	—	—	—	—	—	—	—	—
Brush gear assembly	—	—	—	—	—	—	—	—	—	—	—	—
Plate assembly, terminal	—	—	—	—	—	—	—	—	—	—	—	—
Terminal pin	200229	200229	200229	200229	—	—	—	—	—	—	229065	229065
Plate, clamping, terminal	200829	200829	200829	200829	200908	200908	200908	200908	200908	200908	200829	200829
§Block or cover, terminal	—	—	—	—	—	—	—	—	—	—	229064	229064
§Bearing, drive end	189307	189307	189307	189307	189307	189307	189307	189307	189307	189307	—	—
§Bracket or frame assembly, drive end	200353	—	—	200805	200912	200912	200760	200382	200760	200805	—	—
Plate, bearing	200262	—	—	200799	200262	200262	200748	—	200748	200799	—	—
Seal, oil	—	—	—	—	—	—	188614	—	188614	—	—	—
Cover, drive end fairing	—	—	—	—	200907	200907	—	—	—	—	—	—
§Nut, shaft	—	—	—	—	—	—	—	—	—	—	—	—
Washer, shaft nut	—	—	—	—	—	—	—	—	—	—	—	—
§Screw, end, gear retaining	111704	111704	111704	—	111704	111704	111704	111704	111704	—	—	—
§Gear, driving	454495	464269	463644	—	454495	454495	—	454495	—	—	—	—
Nut, bearing retaining	200224	200224	200224	200800	200224	200224	—	200224	—	200800	—	—
§Armature	200304	200306	200306	200802	200754	200754	200712	200752	200712	200802	229054	229141
Bolt, armature fixing	—	—	—	—	—	—	—	—	—	—	229052	229136
Spring, commutator end	—	—	—	—	—	—	—	—	—	—	—	—
§Field coils, set	200188	200188	200188	200188	200731	200731	200731	200731	200731	200188	229087	229150
§Bolt, through fixing	200227	200227	200227	200227	200732	200732	200732	200732	200732	200227	229056	229138
§Contact breaker complete	—	—	—	—	—	—	—	—	—	—	—	—
Contact set	—	—	—	—	—	—	—	—	—	—	—	—
§Control parts, set	—	—	—	—	—	—	—	—	—	—	—	—
§Cam	—	—	—	—	—	—	—	—	—	—	—	—
§Sundry parts, set	200806	200806	200806	200806	200806	200806	200806	200806	200806	200806	229178	229178

GENERATORS

* See Supersession Chart ‡ Identical machine—new five-figure number allocated § Recommended spares for stock || Supplied separately
 † Before ordering insulating plates for anti-clockwise units produced after April 1948, refer to illustration on page E4

DETAILED SPARE PARTS

Ordering No.	20152A/D	22003B	22003D/E	22011A	200039	200041	*200050	*200056	*200057	200117	200118	*200120
Model	MC45L	C35SD	C35SD	C35SD	E3ES	E3AS	E3MD	E3MD	E3MD	E3MD	E3MD	E3D
Voltage	6	6	6	6	6	6	6	6	6	6	6	6
Rotation	Clock	Clock	Clock	Clock	Anti-clock	Anti-clock	Anti-clock	Clock	Anti-clock	Clock	Anti-clock	Anti-clock
Earth or Insulated Return	Earth	Earth	Earth	Earth	Earth	Earth	Earth	Earth	Earth	Earth	Earth	Earth
§Cover band	—	—	—	—	200435	200435	—	—	—	—	—	—
Screw, cover band fixing	—	—	—	—	111050	111050	—	—	—	—	—	—
Nut, cover band fixing screw	—	—	—	—	200553	200553	—	—	—	—	—	—
§Brushes, set	229161	220383	220383	220383	200027	200027	200163	200163	200163	200163	200163	200163
§Bracket or frame assembly, commutator end	229154	220529	220566	220566	200014	200032	—	—	—	—	—	—
§ Bushing or bearing	189295	189295	189285	189285	189284	189284	189284	189284	189284	189284	189284	189284
Washer, felt, bearing	—	—	—	—	—	—	—	—	—	—	—	—
Cup, felt, bearing washer	—	—	—	—	—	—	—	—	—	—	—	—
§Insulating plate, with brush boxes	—	220552	220572	220572	—	—	—	—	—	—	—	—
§ Springs, set, brush tension	200079	220197	220197	220197	200079	200079	200079	200164	200164	200164	200164	200164
§Cover assembly, commutator end	229165	220555	220593	220593	—	—	—	200191	—	—	—	—
§Cover assembly, contact breaker	—	—	—	—	470183	—	—	—	—	—	—	—
Ring, rubber, cover seating	—	220480	220480	220480	—	—	—	—	—	—	—	—
Ring, sealing, rubber	—	—	—	—	—	—	—	—	—	—	—	—
Grommet, cable	—	—	—	—	—	—	—	—	—	—	—	—
§Cutout assembly	—	—	—	—	—	—	33119	33119	33119	33119	33119	33119
Brush gear assembly	—	—	—	—	200026	—	200159	200158	200159	200158	200159	200159
Plate assembly, terminal	—	—	—	—	—	—	200161	200161	200161	200162	200162	—
Terminal pin	229065	—	—	—	—	—	—	—	—	—	—	—
Plate, clamping, terminal	200829	—	—	—	—	200551	—	—	—	—	—	—
§Block or cover, terminal	229064	—	—	—	—	—	—	—	—	—	—	—
§Bearing, drive end	189297	189307	189307	189307	189289	189289	189289	189289	189289	189289	189289	189289
§Bracket or frame assembly, drive end	229163	220556	220556	220556	200015	200015	—	—	—	—	—	—
Plate, bearing	—	—	—	—	—	—	—	—	—	—	—	—
Seal, oil	188617	188618	188618	188618	—	—	—	—	—	—	—	—
Cover, drive end fairing	—	—	—	—	—	—	—	—	—	—	—	—
§Nut, shaft	—	180396	180396	180396	—	173814	—	—	—	—	—	—
Washer, shaft nut	—	188350	188350	188350	—	137060	—	—	—	—	—	—
§Screw, end, gear retaining	—	—	—	—	—	—	—	—	—	—	—	—
§Gear, driving	—	220498	220498	220643	—	—	—	—	—	—	—	—
Nut, bearing retaining	—	—	—	—	—	—	—	—	—	—	—	—
§Armature	229169	220533	220575	220575	200654	200034	200674	200674	200674	200674	200674	200370
Bolt, armature fixing	—	—	—	—	—	—	—	—	—	—	—	—
Spring, commutator end	—	220526	220569	220569	—	—	—	—	—	—	—	—
§Field coils, set	229150	220487	220487	220487	200013	200013	200188	200188	200188	200188	200188	200188
§Bolt, through fixing	229166	220475	220475	220475	117006	117006	—	—	—	—	—	—
§Contact breaker complete	—	—	—	—	—	—	—	—	—	—	—	—
Contact set	—	—	—	—	470019	—	—	—	—	—	—	—
§Control parts, set	—	—	—	—	—	—	—	—	—	—	—	—
§Cam	—	—	—	—	—	—	—	—	—	—	—	—
§Sundry parts, set	229178	220557	220557	220557	—	—	—	—	—	—	—	—

* See Supersession Chart

§ Recommended spares for stock

NOTE.—For details of Dyno-Distributor, Part No. 43752, and Flywheel Magneto, Part No. 047525, refer to Ignition Section G

For illustrations, see pages E3-E5

continued

DETAILED SPARE PARTS

Ordering No.	*200122	*200125	*200129	200131	200167	200168	*200169	*200171	200172	*200173	200218	200278
Model	E3D	E3MD	E3MD	E3B	E3MD	E3E	E3E	E3A/0	E3E	E3A	E3BS	E3D
Voltage	6	6	6	6	6	6	6	6	6	6	6	6
Rotation	Anti-clock	Clock	Clock	Clock	Anti-clock	Anti-clock	Clock	Anti-clock	Anti-clock	Anti-clock	Anti-clock	Anti-clock
Earth or Insulated Return	Earth	Earth	Earth	Earth	Earth	Earth	Earth	Earth	Earth	Earth	Earth	Earth
§Cover band	—	—	—	—	—	200435	200435	200435	200435	200435	—	—
Screw, cover band fixing	—	—	—	—	—	111050	111050	111050	111050	111050	—	—
Nut, cover band fixing screw	—	—	—	—	—	200553	200553	200553	200553	200553	—	—
§Brushes, set	200163	200163	200163	200163	200163	200027	200027	200027	200027	200027	200163	200163
§Bracket or frame assembly, commutator end	—	—	—	—	—	200014	200014	200032	200014	200032	—	—
§ Bushing or bearing	189284	189284	189284	189284	189284	189284	189284	189284	189284	189284	189284	189284
Washer, felt, bearing	—	—	—	—	—	—	—	—	—	—	—	—
Cup, felt, bearing washer	—	—	—	—	—	—	—	—	—	—	—	—
§Insulating plate, with brush boxes	—	—	—	—	—	—	—	—	—	—	—	—
§ Springs, set, brush tension	200164	200164	200164	200164	200164	200079	200079	200079	200079	200079	200164	200164
§Cover assembly, commutator end	—	200191	200191	—	200191	—	—	—	—	—	—	—
§Cover assembly, contact breaker	—	—	—	—	—	470183	470183	—	470183	—	470183	—
Ring, rubber, cover seating	—	—	—	—	—	—	—	—	—	—	—	—
Ring, sealing, rubber	—	—	—	—	—	—	—	—	—	—	—	—
Grommet, cable	—	—	—	—	—	—	—	—	—	—	—	—
§Cutout assembly	33119	33119	33119	33119	33119	—	—	—	—	—	33119	33119
Brush gear assembly	200159	200158	200158	200158	200159	—	—	—	—	—	200159	200159
Plate assembly, terminal	200161	200161	200161	—	200161	—	—	—	—	—	—	200161
Terminal pin	—	—	—	—	—	—	—	—	—	—	—	—
Plate, clamping, terminal	—	—	—	—	—	200551	200551	200551	200551	200551	—	—
§Block or cover, terminal	—	—	—	—	—	—	—	—	—	—	—	—
§Bearing, drive end	189289	189289	189289	189289	189289	189289	189289	189289	189289	189289	189289	189289
§Bracket or frame assembly, drive end	—	—	—	—	—	200015	200015	200373	200015	200373	—	—
Plate, bearing	—	—	—	—	—	—	—	—	—	—	—	—
Seal, oil	—	—	—	—	—	—	—	—	—	—	—	—
Cover, drive end fairing	—	—	—	—	—	—	—	—	—	—	—	—
§Nut, shaft	—	—	—	—	—	—	—	173814	—	173814	—	—
Washer, shaft nut	—	—	—	—	—	—	—	—	—	—	—	—
§Screw, end, gear retaining	—	—	—	—	—	—	—	—	—	—	—	—
§Gear, driving	—	—	—	—	—	—	—	—	—	—	—	—
Nut, bearing retaining	—	—	—	—	—	—	—	—	—	—	—	—
§Armature	200370	200674	200674	200203	200674	200045	200206	200370	200045	200370	200281	200370
Bolt, armature fixing	—	—	—	—	—	—	—	—	—	—	—	—
Spring, commutator end	—	—	—	—	—	—	—	—	—	—	—	—
§Field coils, set	200188	200188	200188	200188	200188	200188	200188	200013	200013	200013	200188	200188
§Bolt, through fixing	—	—	—	—	—	117006	117006	117006	117006	117006	—	—
§Contact breaker complete	—	—	—	—	—	—	—	—	—	—	—	—
Contact set	—	—	—	470040	—	470019	470040	—	470019	—	470019	—
§Control parts, set	—	—	—	—	—	—	—	—	—	—	—	—
§Cam	—	—	—	—	—	—	—	—	—	—	—	—
§Sundry parts, set	—	—	—	—	—	—	—	—	—	—	—	—

GENERATORS

* See Supersession Chart § Recommended spares for stock

E9

DETAILED SPARE PARTS

Ordering No.	*200283	*200284	*200285 ‡20018	*200286 ‡20019	200288	*200308	200313	200314	200315	200345	*200364	200388
Model	E3H	E3H	E3HM	E3HM	E3HB	E3HM	E3HM	E3HB	E3HB	E3HB	E3AR	E3HB
Voltage	6	6	6	6	6	6	6	6	6	6	6	6
Rotation	Clock	Anti-clock	Clock	Anti-clock	Anti-clock	Anti-clock	Clock	Anti-clock	Clock	Clock	Anti-clock	Anti-clock
Earth or Insulated Return	Earth	Earth	Earth	Earth	Earth	Earth	Earth	Earth	Earth	Earth	Earth	Earth
§Cover band	200522	200522	200522	200522	200522	200522	200522	200522	200522	200522	200435	200522
Screw, cover band fixing	111050	111050	111050	111050	111050	111050	111050	111050	111050	111050	111050	111050
Nut, cover band fixing screw	200553	200553	200553	200553	200553	200553	200553	200553	200553	200553	200553	200553
§Brushes, set	200290	200290	200290	200290	200290	200290	200290	200290	200290	200290	200290	200290
§Bracket or frame assembly, commutator end	200269	*‡200270	200269	*‡200270	*‡200270	*‡200270	200269	*‡200270	200269	200269	200032	*‡200270
§ Bushing or bearing	200231	200231	200231	200231	200231	200231	200231	200231	200231	200231	189284	200231
Washer, felt, bearing	—	—	—	—	—	—	—	—	—	—	—	—
Cup, felt, bearing washer	—	—	—	—	—	—	—	—	—	—	—	—
§Insulating plate, with brush boxes	200431	‡200432	200431	‡200432	‡200432	‡200432	200431	‡200432	200431	200431	—	‡200432
§ Springs, set, brush tension	200079	200079	200079	200079	200079	200079	200079	200079	200079	200079	200079	200079
§Cover assembly, commutator end	200354	200354	200354	200354	—	200354	200354	—	—	—	—	—
§Cover assembly, contact breaker	—	—	—	—	470183	—	—	470183	470183	470183	—	470183
Ring, rubber, cover seating	—	—	—	—	—	—	—	—	—	—	—	—
Ring, sealing, rubber	—	—	—	—	—	—	—	—	—	—	—	—
Grommet, cable	—	—	—	—	—	—	—	—	—	—	—	—
§Cutout assembly	—	—	—	—	—	—	—	—	—	—	—	—
Brush gear assembly	—	—	—	—	—	—	—	—	—	—	—	—
Plate assembly, terminal	—	—	—	—	—	—	—	—	—	—	—	—
Terminal pin	200229	200229	200229	200229	—	200229	200229	—	—	—	—	—
Plate, clamping, terminal	200829	200829	200829	200829	—	200829	200829	—	—	—	200551	—
§Block or cover, terminal	—	—	—	—	200337	—	—	200337	200337	200337	—	200337
§Bearing, drive end	189307	189307	189307	189307	189307	189307	189307	189307	189307	189307	189307	189307
§Bracket or frame assembly, drive end	200352	200352	200353	200353	200352	—	—	200352	200352	200382	200373	200382
Plate, bearing	—	—	200262	200262	—	—	—	—	—	200378	—	200378
Seal, oil	—	—	—	—	—	—	—	—	—	—	—	—
Cover, drive end fairing	—	—	—	—	—	—	—	—	—	—	—	—
§Nut, shaft	170109	170109	—	—	170109	—	—	—	—	170109	173814	170109
Washer, shaft nut	140074	140074	—	—	140074	—	—	—	—	140074	—	140074
§Screw, end, gear retaining	—	—	111704	111704	—	111704	—	—	—	—	—	—
§Gear, driving	—	—	454495	454495	—	464269	—	—	—	—	—	—
Nut, bearing retaining	200224	200224	200224	200224	200224	200224	200224	200224	200224	200224	—	200224
§Armature	200303	200303	200304	200304	200305	200306	200306	200305	200305	200305	200370	200305
Bolt, armature fixing	—	—	—	—	—	—	—	—	—	—	—	—
Spring, commutator end	—	—	—	—	—	—	—	—	—	—	—	—
§Field coils, set	200188	200188	200188	200188	200188	200188	200188	200188	200188	200188	200188	200188
§Bolt, through fixing	200227	200227	200227	200227	200227	200227	200227	200227	200227	200227	117006	200227
§Contact breaker complete	—	—	—	—	470117	—	—	470117	—	470117	—	470117
Contact set	—	—	—	—	470187	—	—	470187	470188	470187	—	470187
§Control parts, set	—	—	—	—	—	—	—	—	—	—	—	—
§Cam	—	—	—	—	—	—	—	470142	470142	470142	—	470142
§Sundry parts, set	200806	200806	200806	200806	—	200806	200806	—	—	—	200806	—

* See Supersession Chart ‡ Identical machines—new five-figure number allocated § Recommended spares for stock
 † Before ordering insulating plates for anti-clockwise units produced after April 1948, refer to illustration on page E4

NOTE.—For details of Dyno-Distributor, Part No. 43752, and Flywheel Magneto, Part No. 047525, refer to Ignition Section G

For illustrations, see pages E3-E5

continued

DETAILED SPARE PARTS

Ordering No.	200389	200395	200396	200397	200400	200401	200424	200429	*200430 ‡20017	200443	200444	*200445
Model	E3H	E3HB	E3HB	E3HB	E3HB	E3HB	E3H	E3HB	E3AR	E3HB	E3HB	E3H
Voltage	6	6	6	6	6	6	6	6	6	6	6	6
Rotation	Anti-clock	Anti-clock	Anti-clock	Anti-clock	Clock	Clock	Anti-clock	Anti-clock	Anti-clock	Clock	Anti-clock	Anti-clock
Earth or Insulated Return	Earth	Earth	Earth	Earth	Earth	Earth	Earth	Earth	Earth	Earth	Earth	Earth
§Cover band	200522	200522	200522	200522	200522	200522	200609	200522	200435	200522	200522	200522
Screw, cover band fixing	111050	111050	111050	111050	111050	111050	127584	111050	111050	111050	111050	111050
Nut, cover band fixing screw	200553	200553	200553	200553	200553	200553	169160	200553	200553	200553	200553	200553
§Brushes, set	200290	200290	200290	200290	200290	200290	200290	200290	200290	200290	200290	200290
§Bracket or frame assembly, commutator end	*‡200270	*‡200270	*‡200270	*‡200270	200269	200269	*‡200270	*‡200270	200032	200269	*‡200270	*‡200270
§ Bushing or bearing	200231	200231	200231	200231	200231	200231	200231	220231	189284	200231	200231	200231
Washer, felt, bearing	—	—	—	—	—	—	—	—	—	—	—	—
Cup, felt, bearing washer	—	—	—	—	—	—	—	—	—	—	—	—
§Insulating plate, with brush boxes	‡200432	‡200432	‡200432	‡200432	200431	200431	‡200432	‡200432	—	200431	‡200432	‡200432
§ Springs, set, brush tension	200079	200079	200079	200079	200079	200079	200079	200079	200079	200079	200079	200079
§Cover assembly, commutator end	200354	—	—	—	—	—	200354	—	—	—	—	200354
§Cover assembly, contact breaker	—	470183	470183	470183	470183	470183	—	470183	—	470183	470183	—
Ring, rubber, cover seating	—	—	—	—	—	—	—	—	—	—	—	—
Ring, sealing, rubber	—	—	—	—	—	—	—	—	—	—	—	—
Grommet, cable	—	—	—	—	—	—	—	—	—	—	—	—
§Cutout assembly	—	—	—	—	—	—	—	—	—	—	—	—
Brush gear assembly	—	—	—	—	—	—	—	—	—	—	—	—
Plate assembly, terminal	—	—	—	—	—	—	—	—	—	—	—	—
Terminal pin	200229	—	—	—	—	—	200229	—	—	—	—	200229
Plate, clamping, terminal	200829	—	—	—	—	—	200829	—	200551	—	—	200829
§Block or cover, terminal	—	200337	200337	200337	200337	200337	—	200337	—	200337	200337	—
§Bearing, drive end	189307	189307	189307	189307	189307	189307	189307	189307	189307	189307	189307	189307
§Bracket or frame assembly, drive end	200382	200352	200352	200352	200352	200382	200382	200382	200373	200382	200352	200352
Plate, bearing	200378	—	—	—	—	200378	200378	200378	—	200378	—	—
Seal, oil	—	—	—	—	—	—	—	—	—	—	—	—
Cover, drive end fairing	—	—	—	—	—	—	—	—	—	—	—	—
§Nut, shaft	170109	170109	—	—	—	170109	170109	170109	173814	—	—	173974
Washer, shaft nut	140074	140074	—	—	—	140074	140074	140074	—	—	—	140074
§Screw, end, gear retaining	—	—	—	—	—	—	—	—	—	—	—	—
§Gear, driving	—	—	—	—	—	—	—	—	—	—	—	—
Nut, bearing retaining	200224	200224	200224	200224	200224	200224	200224	200224	—	200224	200224	200224
§Armature	200303	200305	200305	200305	200305	200305	200303	200305	200370	200305	200305	200303
Bolt, armature fixing	—	—	—	—	—	—	—	—	—	—	—	—
Spring, commutator end	—	—	—	—	—	—	—	—	—	—	—	—
§Field coils, set	200188	200188	200188	200188	200188	200188	200188	200188	200188	200188	200188	200188
§Bolt, through fixing	200227	200227	200227	200227	200227	200227	200227	200227	117006	200227	200227	200227
§Contact breaker complete	—	—	—	—	—	—	—	470117	—	—	—	—
Contact set	—	470187	470187	470187	470187	470187	—	470187	—	470187	470188	—
§Control parts, set	—	470201	470201	470201	470201	470201	—	470201	—	470201	470201	—
§Cam	—	470142	470142	470142	470142	470142	—	470142	—	470142	470142	—
§Sundry parts, set	200806	—	—	—	—	—	200806	—	200806	—	—	200806

GENERATORS

* See Supersession Chart ‡ Identical machines—new five-figure number allocated § Recommended spares for stock
 † Before ordering insulating plates for anti-clockwise units produced after April 1948, refer to illustration on page E4

NOTE.—For details of Dyno-Distributor, Part No. 43752, and Flywheel Magneto, Part No. 047525, refer to Ignition Section G For illustrations, see pages E3-E5

111



GENERATORS

MOTOR CYCLE APPLICATION

20007 E3H. Anti-clockwise rotation; earth return.
ARIEL 500 c.c. 'KG', 'KH' and 'KHA' 1948.

20014 E3L. Clockwise rotation; earth return.
ATELIERS GILLET 250 c.c. 1946-49.

20020 E3HM. Anti-clockwise rotation, earth return.
ARIEL 600 c.c. '4F' 'Square Four' 1938-39.
1,000 c.c. 'Square Four' 1938-39.

20021 E3HM. Anti-clockwise rotation; earth return.
SCOTT Twin Cylinder Models (later) 1939-48.

20033 E3LM. Anti-clockwise rotation; earth return.
ATELIERS GILLET 400 c.c. 1949-56.
500 c.c. 1948 and 1950-56.

B.S.A. 990 c.c. 'G14' 1937-39.

COTTON 250 c.c. '2JC' (alternative) 1948.

250 c.c. '30J' (alternative) 1937-48.

DOUGLAS 350 c.c. Mk. III and Mk. V ('80' and '90 Plus') 1947-54.

ENFIELD 150 c.c. 'T' 1938-39.

500 c.c. Twin 1954-56.

700 c.c. 'Super Meteor' 1955.

NEW IMPERIAL All Models (except 250 c.c. 'Unidyno 36' and 'Clubman Special 90' 1936) 1936-39.

NORTON 350 c.c. 'CJ' and '40 International' 1937-39.

350 c.c. '50' and '55' 1937-39.

500 c.c. '16H' and '18' 1937-47.

500 c.c. '20' and 'CSI' 1937-39.

500 c.c. '30 International' 1937 and 1939.

500 c.c. 'ES2' 1937-47.

600 c.c. '19' 1937-39.

600 c.c. 'Big Four' 1937-47.

VINCENT 1,000 c.c. H.R.D. 'V' Twin 1946-47.

ZENITH Single 1937.

50" Twin 1948.

20034 E3LM Clockwise rotation; earth return

A.J.S. 990 c.c. '2' and '2A' 1937-39.

ARIEL 250 c.c. 'LG' and 'OG' De Luxe and 'OH' and 'LH' 'Red Hunter' 1936-39.

350 c.c. 'NG' De Luxe 1936-51.

350 c.c. 'NH' 'Red Hunter' 1936-57.

500 c.c. 'VH' and 'VHA' 1936-57.

500 c.c. 'VA' 1939.

500 c.c. 'VG' 1949-50.

500 c.c. 'HS' Mk. III Scrambles 'Red Hunter' 1957.

500 c.c. 'VCH' Competition 1950-53.

600 c.c. 'VB' 1936-57.

ATELIERS GILLET 500 c.c. 1949.

BROUGH SUPERIOR 990 c.c. 'SS80' and 'SS100' 1937-39.

1,150 c.c. 1936-39.

B.S.A. 250 c.c. 'B20', 'B21' and 'B22' 1937-39.

350 c.c. 'B23', 'B24', 'B25', 'B26' and 'M19' Sports 1937-39.

350 c.c. 'B31' and 'B32' 1945-57.

500 c.c. 'M20', 'M22', 'M23' and 'M24' 1937-39.

500 c.c. 'B33' 1945-57.

500 c.c. 'B34' 1950-57.

500 c.c. 'M20', 'M23' and 'M33' 1945-55.

500 c.c. 'M33' 1955-57.

600 c.c. 'M21' 1937-57.

COTTON 250 c.c. '30J' (J.A.P.) 1937-48.

250 c.c. '2JC' (J.A.P.) 1948.

350 c.c. '9' (Special J.A.P.) 1937-48.

500 c.c. '5J' (J.A.P.) 1937-39.

500 c.c. '25' 1937-48.

600 c.c. '26B' 1937.

ENFIELD 150 c.c. 'T' 1938-39.

250 c.c. 'Bullet' and 'S2' 1937-39.

350 c.c. 'C' and Competition 1937-39.

350 c.c. 'Bullet' and 'G' 1938-55.

350 c.c. 'Clipper' 1956-57.

500 c.c. 4-valve 'JF' 1937-38.

20034 E3LM—continued

500 c.c. 'J2' 1938-55.

570 c.c. 'L' 1937-39.

1,140 c.c. 'K' 1938-39.

FABRIQUE NATIONALE DES ARMES Belgium
Civilian Model 1953.

MAISON SAROLEA 350 c.c. 1947.

500 c.c. 1948-49 and Export 1951-56.

MATCHLESS 1,000 c.c. 1939.

MONTGOMERY Single Cylinder Model (Mag-
dyno) 1939.

MOTOKOV 'Jawa' 1952-53.

NORTON 350 c.c. 'CJ' 1938 and 1947-49.

350 c.c. '40 International' 1938 and 1947-57.

350 c.c. '50' 1956-57.

500 c.c. '30 International' 1938 and 1947-57.

500 c.c. '16H' and '18' 1948-54.

500 c.c. 'ES2' 1948-57.

600 c.c. 'Big Four' 1948-54.

600 c.c. '19' 1955-57.

O.K. SUPREME 250 c.c., 350 c.c. and 500 c.c.
(Magdyno Models) 1937-39.

PANTHER 600 c.c. '100' 1951-57.

PASHLEY 'Pelican Rickshaw' 1955-57.

TRIUMPH All Models 1936.

250 c.c. '2H' and 'Tiger 70' 1937-39.

350 c.c. 'Tiger 80' 1937-39.

500 c.c. 'FH' and 'ST' 180" Vertical Twin and
'Tiger 90' 1937-39.

600 c.c. '6S' 1937-39.

SUNBEAM All Models 1937-39.

20035 E3L. Anti-clockwise rotation; earth return.

A.J.S. 500 c.c. All Models 1949-57.

600 c.c. '30' 1956-57.

ARIEL 500 c.c. 'KG' De Luxe 1949-51.

500 c.c. 'KH' and 'KHA' 1949-57.

EHRlich 350 c.c. (2-stroke) 1952-55.

MATCHLESS 500 c.c. 'Super Clubman' 1948-50.

500 c.c. 'G9' 1949-57.

600 c.c. 'G11' 1956-57.

PANTHER 250 c.c. '65' 1949-57.

250 c.c. and 350 c.c. 'Stroud' 1951-54.

350 c.c. '75' 1947-57.

600 c.c. '100' 1946-51.

TRIUMPH 350 c.c. '3T' De Luxe 1946-51.

500 c.c. '5TAC' 'Speed Twin' 1946-52.

500 c.c. 'Tiger 100' 1946-57.

500 c.c. 'TR5' Trophy 1949-57.

500 c.c. 'Grand Prix' 1950.

650 c.c. '6TAC' 1950-53.

650 c.c. 'Tiger 110' 1954-57.

650 c.c. 'TR6' 1956-57.

20036 E3L. Anti-clockwise rotation; earth return.

ARIEL 650 c.c. 'FH' 'Huntmaster' 1954-57.

B.S.A. 250 c.c. 'C10' and 'C11' 1949-53.

500 c.c. 'A7' All Models 1950-57.

650 c.c. 'Golden Flash' 1950-57.

650 c.c. 'Road Rocket' 1955-57.

20037 E3L. Clockwise rotation; earth return.

NORTON 500 c.c. 'Dominator 7' (later) 1949-55.

500 c.c. 'Dominator 88' 1952-57.

500 c.c. '77' 1957.

600 c.c. 'Dominator 99' 1956-57.

VINCENT 1,000 c.c. 1955.

20038 E3N. Anti-clockwise rotation; earth return.

A.J.S. 250 c.c. '22' and '22T' 1936-39.

350 c.c. '26' 1937-39.

350 c.c. '16M' and '16MS' 1945-57.

350 c.c. and 500 c.c. Competition 1950-57.

500 c.c. '8', '9' and '18T' 1937-39.

500 c.c. '18' 1937-55.

500 c.c. '18S' 1949-57.

COTTON 250 c.c. '6B' 'Blackburn' 1937-39.

ENFIELD 1,140 c.c. 'K' 1937.

EXCELSIOR 250 c.c. 'G5' and 'F5' 'Scout'

1937-38.

250 c.c. 'F7' 'Pathfinder' 1936.

250 c.c. 'J4' 'Pioneer' 1939.

20038 E3N—continued

JAMES 200 c.c. 1939.

250 c.c. 1937-39.

MATCHLESS 250 c.c. 'G2', 'G2M' and 'G2MC'

1937-39.

350 c.c. 'G3' 1937-57.

350 c.c. and 500 c.c. Competition 1950-57.

500 c.c. 'G80' 1937-57.

1,000 c.c. 1937-39.

20151 MC45L. Anti-clockwise rotation; earth return.

SUNBEAM 500 c.c. 'S7' and 'S8' 1946-57.

20152 MC45L. Clockwise rotation; earth return.

SCOTT Twin Cylinder Models 1949-50.

22003 C35SD. Clockwise rotation; earth return.

ARIEL 1,000 c.c. '4G' 'Square Four' 1949-56.

ENFIELD 500 c.c. Twin 1949-54.

700 c.c. 'Super Meteor' 1953-54.

22011 C35SD. Clockwise rotation; earth return.

ARIEL 1,000 c.c. '4G' 'Square Four' (later)

1956-57.

200424 E3H. Anti-clockwise rotation; earth return.

B.S.A. 250 c.c. 'C10' and 'C11' 1939-48.

500 c.c. 'A7' All Models 1947-49.

200443 E3HB. Clockwise rotation; earth return.

ENFIELD 150 c.c. 'T' 1939.

The following are suitable replacements for 'third brush' type Generators:

WITH CONTROL BOX 37151 MCR2

20038 E3N. Anti-clockwise rotation; earth return.

MATCHLESS 250 c.c. 'F7', 'G2', 'G2M', 'G2MC'

and 'G3' 1936.

200424 E3H. Anti-clockwise rotation; earth return.

EXCELSIOR 250 c.c. 'F5' 'Scout' 1936.

200443 E3HB. Clockwise rotation; earth return.

ENFIELD 250 c.c. 'B' and 'S2' 1936.

WITH CONTROL BOX 37097 MCR2

20033 E3LM. Anti-clockwise rotation; earth return.

B.S.A. 500 c.c. 'J12' 1936.

990 c.c. 'G14' 1936.

ENFIELD 350 c.c. 'C' 1936.

570 c.c. 'L' 1936.

NORTON 350 c.c. '40 International', '50' and '55'

1936.

500 c.c. '16H', '18', '20' and 'ES2' 1936.

600 c.c. '19' and 'Big Four' 1936.

O.K. SUPREME 250 c.c., 350 c.c. and 500 c.c.
(Magdyno Models) 1936.

20034 E3LM. Clockwise rotation; earth return.

A.J.S. 350 c.c. '5' and '7' 1936.

500 c.c. '8', '9', '10', '18' and '18T' 1936.

BROUGH SUPERIOR 990 c.c. 'SS80' 1936.

B.S.A. 250 c.c. 'B2', 'B3' and 'B18' 1936.

350 c.c. 'R4' and 'R19' 1936.

500 c.c. 'W6' and 'W7' 1936.

600 c.c. 'M10' 1936.

CHATER LEA 545 c.c. 1936.

COTTON All Models 1936.

ENFIELD 500 c.c. 4-valve 'JF' 1936.

976 c.c. 'KL' 1936.

1,140 c.c. 'K' 1936.

MATCHLESS 500 c.c. 'SV' and 'G80' 1936.

1,000 c.c. 1936.

NEW IMPERIAL 250 c.c. 'Unidyno 36' and
'Clubman Special 90' 1936.

NORTON 350 c.c. 'CJ' 1936.

500 c.c. 'CSI' and '30' 1936.

SUNBEAM All Models 1936.

TRIUMPH 250 c.c., 350 c.c., 500 c.c. and 600 c.c.

1936.

GENERATORS, ALTERNATORS AND RECTIFIERS



ALTERNATORS MOTOR CYCLE APPLICATION

- 47068 IA45. Clockwise rotation; non-auto. TURNER 'Bi-Van' and 'Tri-Van' 1951.
- 47077 IA45. Clockwise rotation; non-auto. B.S.A. 'Bantam' 1950-53.
- 47090 RM12. Clockwise rotation; suitable for parallel shaft. Serviced by Stator 465655 and Rotor 466236. TRIUMPH 500 c.c. 'STAC' 1952.
- 047500 RM12. Clockwise rotation; suitable for parallel shaft. Serviced by Stator 465892 and Rotor 466235. TRIUMPH 500 c.c. 'STAC' (later) 1952-53.
- 047502 RM13. Clockwise or anti-clockwise rotation; suitable for parallel shaft. Serviced by Stator 465915 and Rotor 466124. TRIUMPH 150 c.c. 'T15' 1953-56. 200 c.c. 'T20' 1954-56.
- 047506 RM13. Clockwise rotation; suitable for parallel shaft; less rotor fixing nut. Serviced by Stator 465915 and Rotor 466125. BROCKHOUSE 250 c.c. 'Indian Brave' 1955-56. B.S.A. 250 c.c. 'C11' 1954-55. ENFIELD 250 c.c. 'Crusader' 1957.
- 047507 RM14. Clockwise rotation; suitable for parallel shaft. Serviced by Stator 466168 and Rotor 466235. TRIUMPH 500 c.c. 'STAC' 1954. 650 c.c. 'Thunderbird' 1954.
- 047510 RM14. Clockwise rotation; suitable for parallel shaft. Serviced by Stator 466168 and Rotor 466230. ENFIELD 350 c.c. 'Bullet' 1956. 500 c.c. 'Bullet' 1956. 700 c.c. 'Super Meteor' 1956. TRIUMPH 500 c.c. 'STAC' (later) 1955-56. 650 c.c. 'Thunderbird' (later) 1955-56.
- 047511 RM14. Clockwise rotation; intermediate stack stator; 3-hole fixing. Serviced by Stator 466168 and Rotor 466232. TRIUMPH 500 c.c. 'STAC' 1955. 650 c.c. 'Thunderbird' 1955.
- 047514 RM13. Clockwise rotation; suitable for parallel shaft. Serviced by Stator 465915 and Rotor 466233. ENFIELD 250 c.c. 'Clipper' 1956.
- 047518 RM13. Clockwise or anti-clockwise rotation; suitable for parallel shaft. Serviced by Stator 468678 and Rotor 466124. TRIUMPH 200 c.c. 'T20' 1957.
- 047520 RM13. Clockwise rotation. Serviced by Stator 468678 and Rotor 466233. ENFIELD 250 c.c. 'Clipper' 1957.
- 047521 RM14. Clockwise rotation; stator varnish dipped. Serviced by Stator 468677 and Rotor 466230. ENFIELD 350 c.c. 'Bullet' 1957. 500 c.c. 'Bullet' 1957. 500 c.c. 'Twin' 1957. 700 c.c. 'Super Meteor' 1957. TRIUMPH 500 c.c. 'STAC' 1957. 650 c.c. 'Thunderbird' 1957.
- 047523 RM13/15. Clockwise or anti-clockwise rotation; stator varnish dipped. Serviced by Stator 468678 and Rotor 423506. B.S.A. 250 c.c. 'C12' 1956-57.
- 047526 RM13/15. Clockwise rotation; 3-hole fixing. Serviced by Stator 468973 and Rotor 423506. TRIUMPH 350 c.c. 'Twenty-One' 1957.

RECTIFIERS MOTOR CYCLE APPLICATION

47094. Two special rectifiers assembled together in series. TRIUMPH 500 c.c. 'STAC' 1952.
47097. Full wave; centre tapped; square type; double voltage plates. B.S.A. 125 c.c. 'Bantam' 1951-53. BROCKHOUSE 250 c.c. 'Indian Brave' 1951-54. O.E.C. 250 c.c. 1955. TRIUMPH 500 c.c. 'STAC' (later) 1952-53. TURNER 'Bi-Van' and 'Tri-Van' 1951.
47111. Full wave; bridge connected; 4-plate; circular type. BROCKHOUSE 250 c.c. 'Indian Brave' 1955-56. B.S.A. 250 c.c. 'C12' 1956-57. 250 c.c. 'C11' 1954-55. ENFIELD 250 c.c. 'Crusader' 1957. 250 c.c. 'Clipper' 1956-57. 350 c.c. 'Bullet' 1956-57.
- 47111—continued
500 c.c. 'Bullet' 1956-57.
500 c.c. Twin 1957.
700 c.c. 'Super Meteor' 1956-57.
TRIUMPH 150 c.c. 'T15' 1953-56.
500 c.c. 'T20' 1954-57.
350 c.c. 'Twenty-One' 1957.
500 c.c. 'STAC' 1954-57.
650 c.c. 'GTAC' 1954-57.

GENERATORS, ALTERNATORS AND RECTIFIERS SUPERSESSION CHART

Part No.	Replaced by	Part No.	Replaced by	Part No.	Replaced by
20003	†20035	047510	{ 466168 Stator 466230 Rotor	200122	{ 200424 Generator and 37151 Control Box
20006	†20034	047511	{ 466168 Stator 466232 Rotor	200125	{ 20034 Generator and 37097 Control Box
20009	20035	047514	{ 465915 Stator 466233 Rotor	200129	{ 20034 Generator and 37097 Control Box
20010	20036	047518	{ 468678 Stator 466124 Rotor	200169	{ 200443 Generator and 37151 Control Box
20011	20037	047520	{ 468678 Stator 466233 Rotor	200171	{ 20038 Generator and 37151 Control Box
20012	20033	047521	{ 468677 Stator 466230 Rotor	200173	{ 20038 Generator and 37151 Control Box
20013	20034	047523	{ 468678 Stator 423506 Rotor	200270	{ 200431 Insul. Plate and 200269 Bracket
20017	20038	047526	{ 468973 Stator 423506 Rotor	200283	{ 20014 Generator and 37097 Control Box
20018	†20034	200050	{ 20033 Generator and 37097 Control Box	200284	20038
20019	†20033	200056	{ 20034 Generator and 37097 Control Box	200285	20034
20028	20038	200057	{ 20033 Generator and 37097 Control Box	200286	20033
20150	20151	200120	{ 20038 Generator and 37151 Control Box	200308	{ 20020 for Ariel 20021 for Scott
47078	47097			200364	20038
47090	{ 465655 Stator 466236 Rotor			200430	20038
47103	47111			200445	20038
047500	{ 465892 Stator 466235 Rotor				
047502	{ 465915 Stator 466124 Rotor				
047506	{ 465915 Stator 466125 Rotor				
047507	{ 466168 Stator 466235 Rotor				

† High output generator—replacement of existing control box by MCR2 37097 is recommended