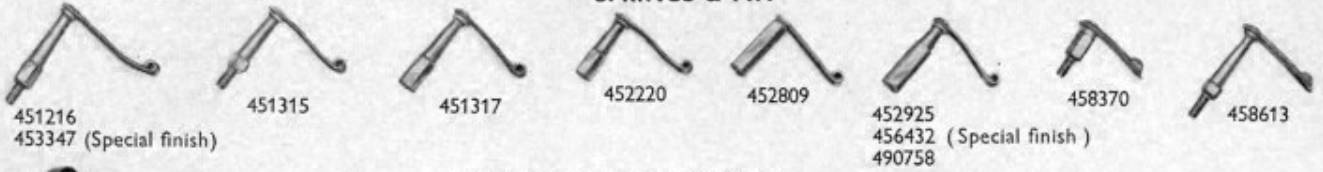


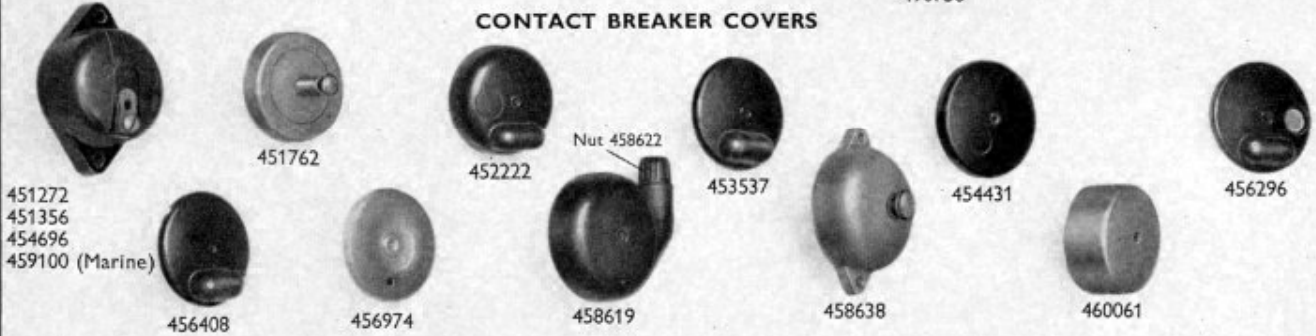


# MAGNETOS—K AND N MODELS

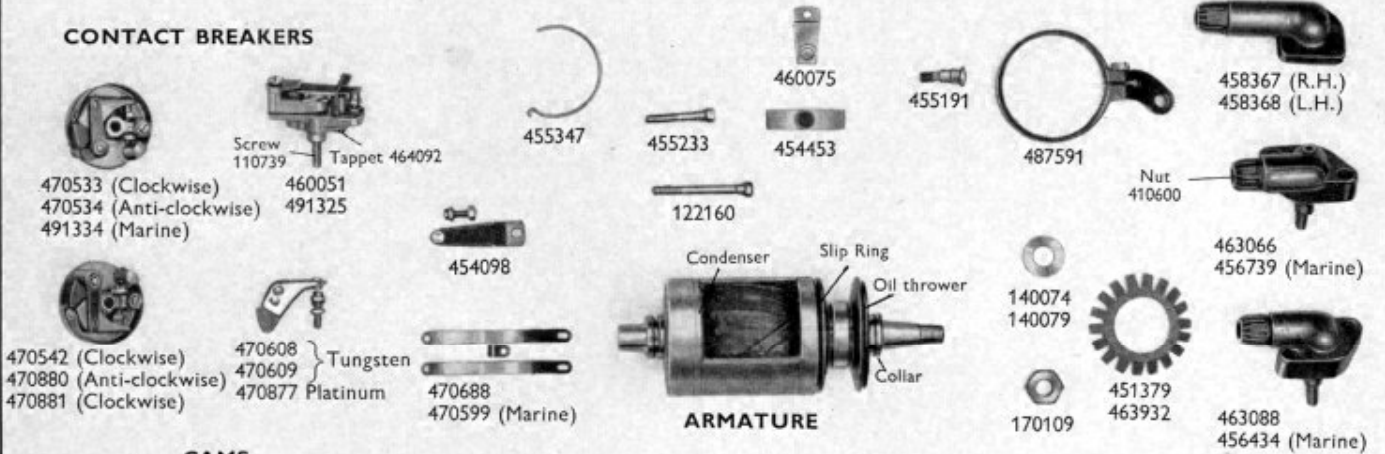
## SPRINGS & PIN



## CONTACT BREAKER COVERS

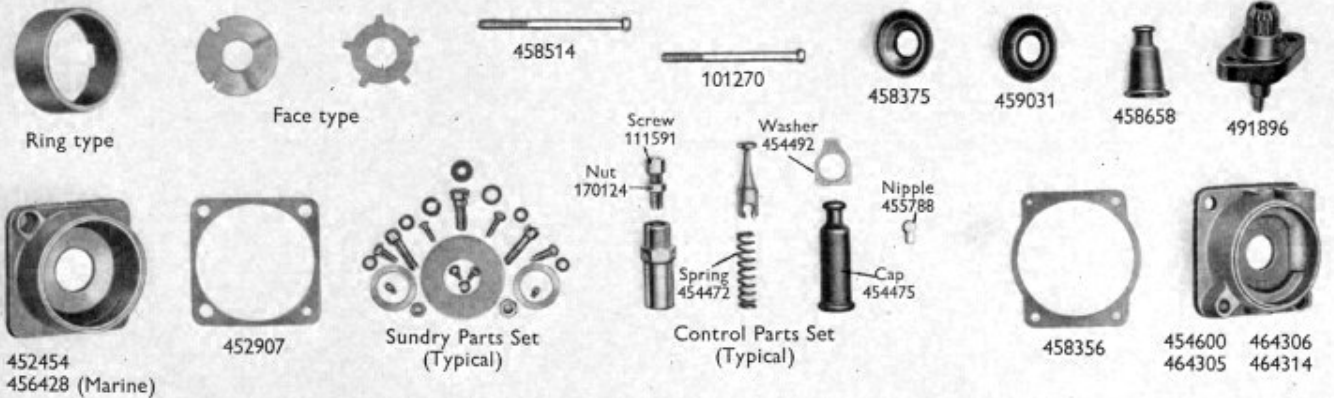


## CONTACT BREAKERS

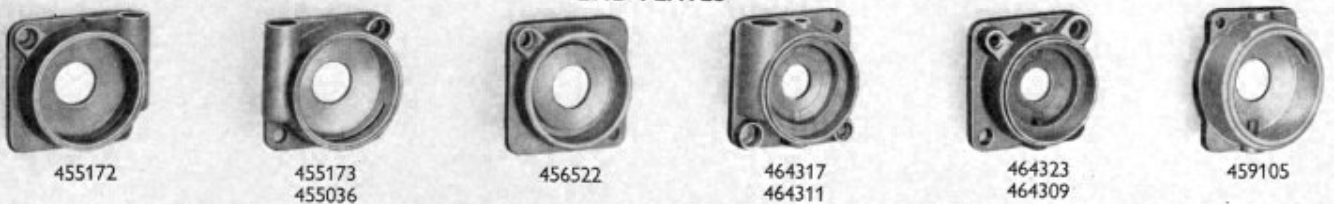


## ARMATURE

## CAMS



## END PLATES



For detailed spare parts, see pages G37-G41.

# MAGNETOS—K AND N MODELS



## DETAILED SPARE PARTS

Part No. . . . .	42019A/F	42019H	*42024A/F	*42024H/K	*42025A/H	*42025J/K
Model . . . . .	N1	N1	N1	N1	N1	N1
Rotation . . . . .	Anti-clock	Anti-clock	Anti-clock	Anti-clock	Clock	Clock
Control . . . . .	Left hand	Left hand	Fixed	Fixed	Fixed	Fixed
Cable, high tension . . . . .	—	—	—	—	—	—
Cable, low tension . . . . .	—	—	—	—	—	—
Cover, screening pick-ups . . . . .	—	—	—	—	—	—
§Pick-up . . . . .	463066	456739	463066	456739	463066	456739
§Brush and spring . . . . .	451260	451260	451260	451260	451260	451260
§Nut, moulded . . . . .	410600	410600	410600	410600	410600	410600
§Washer, seating . . . . .	455622	455622	455622	455622	455622	455622
Screw, contact breaker fixing . . . . .	—	—	—	—	—	—
Grommet, rubber . . . . .	—	—	—	—	—	—
Cover, contact breaker . . . . .	454696	454696	454696	454696	451356	459100
§Brush and spring . . . . .	—	—	—	—	—	—
§Nut, moulded . . . . .	—	—	—	—	—	—
Contact, cover . . . . .	460075	460075	—	460075	460075	460075
§Contact breaker . . . . .	460051	491325	460051	491325	460051	491325
§Screw, hollow, special carrier fixing . . . . .	460067	460067	460067	460067	460067	460067
§Bush, insulating, carrier fixing screw . . . . .	463983	463983	463983	463983	463983	463983
§Wick, felt, cam lubricating . . . . .	460068	460068	460068	460068	460068	460068
§Bush, insulating, centre of contact breaker . . . . .	460066	460066	460066	460066	460066	460066
§Plate, insulating, carrier to base . . . . .	460065	460065	460065	460065	460065	460065
§Tappet, celeron . . . . .	464092	464092	464092	464092	464092	464092
§Screw, hexagon head, contact breaker fixing . . . . .	110739	110739	110739	110739	110739	110739
§Washer, locking, contact breaker fixing screw . . . . .	460052	460052	460052	460052	460052	460052
Contact set . . . . .	484098	484098	484098	484098	484098	484098
§Springs, set, actuating . . . . .	—	—	—	—	—	—
§Brush and spring, earth . . . . .	—	—	—	—	—	—
§Lever, timing . . . . .	—	—	—	—	—	—
§Ring, jump, cam fixing . . . . .	455347	455347	455347	455347	455347	455347
§Cam . . . . .	493178	493178	493183	493183	483182	483182
Screw, cam timing . . . . .	463931	453564	463931	453564	463931	453564
Pin, special, cam timing screw . . . . .	186060	453565	186060	453565	186060	453565
§Control parts, set . . . . .	454204	454616	—	—	—	—
§Cap, rubber . . . . .	—	—	—	—	—	—
§Washer, barrel locking . . . . .	—	—	—	—	—	—
§Spring . . . . .	—	—	—	—	—	—
§Nipple, cable . . . . .	—	—	—	—	—	—
§Screw, adjusting . . . . .	—	—	—	—	—	—
§Nut, adjusting screw . . . . .	—	—	—	—	—	—
§Pillar, control lever stop . . . . .	—	—	—	—	—	—
§Pin and spring . . . . .	—	—	451216	453347	451216	453347
§Plate, complete with outer race . . . . .	464600	464314	464323	464309	464323	464309
§Cup, insulating bearing . . . . .	451379	451379	451379	451379	451379	451379
Washer, packing, end plate, .005" thick . . . . .	452907	452907	452907	452907	452907	452907
§Nut, shaft . . . . .	170109	170109	170109	170109	170109	170109
Washer, shaft nut . . . . .	140079	140079	140079	140079	140074	140079
§Armature assembly . . . . .	454385	454385	454385	454385	454385	454385
§Condenser assembly . . . . .	454415	454415	454415	454415	454415	454415
§Bolt, armature . . . . .	101270	101270	101270	101270	101270	101270
§Slip ring . . . . .	454496	454496	454496	454496	454496	454496
§Washer, linen . . . . .	164334	164334	164334	164334	164334	164334
§Oil thrower . . . . .	463944	463944	463944	463944	463944	463944
§Collar . . . . .	455634	455634	455634	455634	455634	455634
§Collar, steel, bearing retaining . . . . .	—	—	—	—	—	—
§Bearing, drive end . . . . .	189291	189291	189291	189291	189291	189291
§Bearing, contact breaker end . . . . .	189291	189291	189291	189291	189291	189291
§Cup, insulating bearing, drive end . . . . .	451379	451379	451379	451379	451379	451379
§Seal, oil . . . . .	458375	458375	458375	458375	458375	458375
§Brush, spring and holder, magneto earth . . . . .	455191	455191	455191	455191	455191	455191
§Brush and spring, magneto earth . . . . .	455190	455190	455190	455190	455190	455190
§Spring pin, pick-up . . . . .	—	—	—	—	—	—
§Sundry parts, set . . . . .	454697	454697	454697	454697	454697	454697

For illustrations, see page G36.



# MAGNETOS—K AND N MODELS

## DETAILED SPARE PARTS

Part No.	42028A/F	42028H	42040A/D	42044A	*42050A	42051A/F	42052A/B
Model	NI	NI	KN1	KN1	KN2LF	KN1	KNV
Rotation	Clock	Clock	Anti-clock	Anti-clock	Clock	Anti-clock	Anti-clock
Control	Manual, right hand	Manual, right hand	Spring, left hand	Fixed	Lever	Ratchet, left hand	Spring, left hand
(1) Cable, high tension	—	—	—	—	—	—	—
(2) Cable, low tension	—	—	—	—	—	—	—
(3) Cover, screening pick-ups	—	—	—	—	—	—	—
(4) §Pick-up	463066	456739	463066	463066	‡463066 ‡463088	463066	‡463066 ‡463088
(5) § Brush and spring	451260	451260	451260	451260	451260	451260	451260
(6) § Nut, moulded	410600	410600	410600	410600	410600	410600	410600
(7) Washer, seating	455622	455622	455622	455622	455622	455622	455622
(8) Screw, contact breaker fixing	—	—	—	—	455233	—	455233
(9) Grommet, rubber	—	—	—	—	—	—	—
(10) Cover, contact breaker	454696	454696	460061	460061	456974	451272	454431
(11) Brush and spring	—	—	—	—	—	—	—
(12) Nut, moulded	—	—	—	—	—	—	—
(13) Contact, cover	460075	460075	—	—	—	460075	—
(14) §Contact breaker	460051	491325	460051	460051	470542	460051	470534
(15) Screw, hollow, special carrier fixing	460067	460067	460067	460067	460067	460067	—
(16) Bush, insulating, carrier fixing screw	463983	463983	463983	463983	470684	463983	470684
(17) Wick, felt, cam lubricating	460068	460068	460068	460068	—	460068	—
(18) Bush, insulating, centre of contact breaker	460066	460066	460066	460066	470555	460066	470555
(19) Plate, insulating, carrier to base	460065	460065	460065	460065	—	460065	—
(20) Tappet, celeron	464092	464092	464092	464092	—	464092	—
(21) Screw, hexagon head, contact breaker fixing	110739	110739	110739	110730	—	110730	—
(22) Washer, locking, contact breaker fixing screw	460052	460052	460052	460052	—	460052	—
(23) Contact set	484098	484098	484098	484098	470877	484098	470609
(24) Springs, set, actuating	—	—	—	—	470688	—	470688
(25) Brush and spring, earth	—	—	—	—	470537	—	470537
(26) §Lever, timing	—	—	—	—	487591	—	—
(27) §Ring, jump, cam fixing	455347	455347	455347	—	—	455347	—
(28) §Cam	493179	493179	493178	493183	456919	493178	455433
(29) Screw, cam timing	463931	453564	463931	—	—	463931	—
(30) Pin, special, cam timing screw	186060	453565	186060	—	—	186060	—
(31) §Control parts, set	454204	454616	463107	—	—	455428	463107
(32) Cap, rubber	—	—	454475	—	—	—	454475
(33) Washer, barrel locking	—	—	454492	—	—	—	454492
(34) Spring	—	—	454472	—	—	—	454472
(35) Nipple, cable	—	—	455788	—	—	—	455788
(36) Screw, adjusting	—	—	111591	—	—	—	111591
(37) Nut, adjusting screw	—	—	170124	—	—	—	170124
(38) Pillar, control lever stop	—	—	—	—	—	—	—
(39) §Pin and spring	451216	453347	451315	451315	452809	451216	452220
(40) §Plate, complete with outer race	464317	464311	464306	464323	456522	464305	455172
(41) § Cup, insulating bearing	451379	451379	451379	451379	451379	451379	451379
(42) Washer, packing, end plate, .005" thick	452907	452907	452907	452907	452907	452907	452907
(43) §Nut, shaft	170109	170109	170109	170109	170109	170109	170109
(44) Washer, shaft nut	140074	140079	140074	140074	140074	140074	140074
(45) §Armature assembly	454385	454385	454385	454385	457787	454385	457788
(46) Condenser assembly	454415	454415	454415	454415	464140	454415	464140
(47) Bolt, armature	101270	101270	101270	101270	101270	101270	101270
(48) § Slip ring	454496	454496	454496	454496	455361	454496	454497
(49) Washer, linen	164334	164334	164334	164334	—	164334	—
(50) Oil thrower	463944	463944	463944	463944	463944	463944	463944
(51) Collar	455634	455634	455634	455634	455634	455634	455634
(52) Collar, steel, bearing retaining	—	—	—	—	455340	—	455340
(53) §Bearing, drive end	189291	189291	189291	189291	189291	189291	189291
(54) §Bearing, contact breaker end	189291	189291	189291	189291	189291	189291	189291
(55) §Cup, insulating bearing, drive end	451379	451379	451379	451379	451379	451379	451379
(56) §Seal, oil	458375	458375	458375	458375	458375	458375	458375
(57) §Brush, spring and holder, magneto earth	455191	455191	455191	455191	455191	455191	455191
(58) § Brush and spring, magneto earth	455190	455190	455190	455190	455190	455190	455190
(59) §Spring pin, pick-up	—	—	—	—	—	—	—
(60) §Sundry parts, set	454697	454697	454697	454697	454697	454697	454697

For illustrations, see page G36.

\* See Supersession Chart

† Left hand

‡ Right hand

§ Recommended spares for stock

# MAGNETOS—K AND N MODELS



## DETAILED SPARE PARTS

42055A/B KNV Clock Spring, Right hand	42056A/D KNV Anti-clock Spring, Right hand	*42060A KNILF Clock Lever	42061A KNILF Clock Lever	*42062A/F N2/4 Clock Fixed	*42063A/E N2 Anti-clock Fixed	42065A KN2L Clock Right hand	42065B/D KN2L Clock Right hand	42066A/B KN2L Anti-clock Fixed
—	—	—	—	—	—	—	—	— (1)
—	—	—	—	—	—	—	—	— (2)
—	—	—	—	—	—	—	—	— (3)
†463066	†463066	463088	463066	†456739	†456739	†463066	†463066	†463066 (4)
‡463088	‡463088	—	—	‡456434	‡456434	‡463088	‡463088	‡463088 (5)
451260	451260	451260	451260	451260	451260	451260	451260	451260 (6)
410600	410600	410600	410600	410600	410600	410600	410600	410600 (7)
455622	455622	455622	455622	455622	455622	455622	455622	455622 (8)
455233	455233	455233	455233	455233	455233	455233	455233	455233 (9)
—	—	—	—	—	—	—	—	— (10)
452222	454431	456974	453537	452222	452222	452222	452222	452222 (11)
454453	—	—	454453	454453	454453	454453	454453	454453 (12)
—	—	—	—	—	—	—	—	— (13)
470533	470534	470542	470533	491334	470880	470542	470542	470534 (14)
—	—	—	—	—	—	—	—	— (15)
470684	470684	470684	470684	470684	470684	470684	470684	470684 (16)
—	—	—	—	—	—	—	—	— (17)
470555	470555	470555	470555	470555	470555	470555	470555	470555 (18)
—	—	—	—	—	—	—	—	— (19)
—	—	—	—	—	—	—	—	— (20)
—	—	—	—	—	—	—	—	— (21)
—	—	—	—	—	—	—	—	— (22)
470608	470609	470877	470608	470608	470878	470877	470877	470609 (23)
470688	470688	470688	470688	470599	470599	470688	470688	470688 (24)
470537	470537	470537	470537	470537	470537	470537	470537	470537 (25)
—	—	487591	487591	—	—	—	—	— (26)
—	—	—	—	—	—	—	—	— (27)
455435	455433	456688	456687	456919	456919	454768	454768	456919 (28)
—	—	—	—	—	—	—	—	— (29)
—	—	—	—	—	—	—	—	— (30)
463107	454536	—	—	—	—	455025	455145	— (31)
454475	—	—	—	—	—	—	—	— (32)
454492	—	—	—	—	—	—	—	— (33)
454472	—	—	—	—	—	454472	—	— (34)
455788	—	—	—	—	—	—	—	— (35)
111591	—	—	—	—	—	—	—	— (36)
170124	—	—	—	—	—	—	—	— (37)
—	—	—	—	—	—	454485	—	— (38)
452925	452220	452220	452925	456432	456432	456432	452925	452925 (39)
455173	455173	456522	—	456428	456428	455036	455173	452454 (40)
451379	451379	451379	451379	451379	451379	451379	451379	451379 (41)
452907	452907	452907	452907	452907	452907	452907	452907	452907 (42)
170109	170109	170109	170109	170109	170109	170109	170109	170109 (43)
140074	140074	140074	140074	140079	140079	140074	140074	140074 (44)
457787	457788	456413	456413	457787	457788	457787	457787	457788 (45)
464140	464140	454415	454415	464140	464140	464140	464140	464140 (46)
101270	101270	101270	101270	101270	101270	101270	101270	101270 (47)
455361	454497	464277	454496	455361	454497	455361	455361	454497 (48)
—	—	—	—	—	—	—	—	— (49)
463944	463944	463944	463944	463944	463944	463944	463944	463944 (50)
455634	455634	455634	455634	455634	455634	455634	455634	455634 (51)
455340	455340	455340	455340	455340	455340	455340	455340	455340 (52)
189291	189291	189291	189291	189291	189291	189291	189291	189291 (53)
189291	189291	189291	189291	189291	189291	189291	189291	189291 (54)
451379	451379	451379	451379	451379	451379	451379	451379	451379 (55)
458375	458375	458375	458375	458375	458375	458375	458375	458375 (56)
455191	455191	455191	455191	455191	455191	455191	455191	455191 (57)
455190	455190	455190	455190	455190	455190	455190	455190	455190 (58)
—	—	—	—	—	—	—	—	— (59)
454697	454697	454697	454697	454697	454697	454697	454697	454697 (60)

For illustrations, see page G36.



# MAGNETOS—K AND N MODELS

## DETAILED SPARE PARTS

Part No.	*42067A/D	*42074A/B	*42087A/D	*42101A/F	42116A/D	42118A/D
Model	N2	KN2L	N2	N2	KN2LF	KN1L
Rotation	Anti-clock	Clock	Clock	Clock	Clock	Clock
Control	Fixed	Fixed	Fixed	Fixed	Lever	Right hand
(1) Cable, high tension	—	—	—	—	—	—
(2) Cable, low tension	—	—	—	—	—	—
(3) Cover, screening pick-ups	—	—	—	—	—	—
(4) §Pick-up	†463066	†463066	†463066	†456739	†463066	463066
(5) § Brush and spring	‡463088	‡463088	‡463088	‡456434	‡463088	—
(6) § Nut, moulded	451260	451260	451260	451260	451260	451260
(7) Washer, seating	410600	410600	410600	410600	410600	410600
(8) Screw, contact breaker fixing	455622	455622	455622	455622	455622	455622
(9) Grommet, rubber	455233	455233	455233	455233	455233	455233
(10) Cover, contact breaker	—	—	—	—	—	—
(11) Brush and spring	456296	452222	—	451762	456408	452222
(12) Nut, moulded	454453	454453	454453	454453	454453	454453
(13) Contact, cover	—	—	—	—	—	—
(14) §Contact breaker	—	—	—	—	—	—
(15) Screw, hollow, special carrier fixing	470534	470533	470533	491334	470881	470542
(16) Bush, insulating, carrier fixing screw	—	—	—	—	—	—
(17) Wick, felt, cam lubricating	470684	470684	470684	470684	470684	470684
(18) Bush, insulating, centre of contact breaker	—	—	—	—	—	—
(19) Plate, insulating, carrier to base	470555	470555	470555	470555	470555	470555
(20) Tappet, celeron	—	—	—	—	—	—
(21) Screw, hexagon head, contact breaker fixing	—	—	—	—	—	—
(22) Washer, locking, contact breaker fixing screw	—	—	—	—	—	—
(23) Contact set	470609	470608	470608	470608	470877	470877
(24) Springs, set, actuating	470688	470688	470688	470688	470599	470688
(25) Brush and spring, earth	470537	470537	470537	470537	470537	470537
(26) §Lever, timing	—	—	—	—	487591	454490
(27) §Ring, jump, cam fixing	—	—	—	—	—	—
(28) §Cam	456919	456919	456919	456919	457090	456685
(29) Screw, cam timing	—	—	—	—	—	—
(30) Pin, special, cam timing screw	—	—	—	—	—	—
(31) §Control parts, set	—	—	—	—	—	455145
(32) Cap, rubber	—	—	—	—	—	—
(33) Washer, barrel locking	—	—	—	—	—	—
(34) Spring	—	—	—	—	—	454472
(35) Nipple, cable	—	—	—	—	—	—
(36) Screw, adjusting	—	—	—	—	—	—
(37) Nut, adjusting screw	—	—	—	—	—	—
(38) Pillar, control lever stop	—	—	—	—	—	—
(39) §Pin and spring	452925	—	452925	490758	490758	452925
(40) §Plate, complete with outer race	452454	452454	452454	456428	—	455173
(41) § Cup, insulating bearing	451379	451379	451379	451379	451379	451379
(42) Washer, packing, end plate, .005" thick	452907	452907	452907	452907	452907	452907
(43) §Nut, shaft	170109	170109	170109	170109	170109	170109
(44) Washer, shaft nut	140074	140074	140074	140074	140074	140074
(45) §Armature assembly	457788	457787	457787	457787	457787	456413
(46) Condenser assembly	464140	464140	464140	464140	464140	454415
(47) Bolt, armature	101270	101270	101270	101270	101270	101270
(48) § Slip ring	454497	455361	455361	455361	455361	454496
(49) Washer, linen	—	—	—	—	—	—
(50) Oil thrower	463944	463944	463944	463944	463944	463944
(51) Collar	455634	455634	455634	455634	455634	455634
(52) Collar, steel, bearing retaining	455340	455340	455340	455340	455340	455340
(53) §Bearing, drive end	189291	189291	189291	189291	189294	189291
(54) §Bearing, contact breaker end	189291	189291	189291	189291	189291	189291
(55) §Cup, insulating bearing, drive end	451379	451379	451379	451379	463932	451379
(56) §Seal, oil	458375	458375	458375	458375	458375	458375
(57) §Brush, spring and holder, magneto earth	455191	455191	455191	455191	455191	455191
(58) § Brush and spring, magneto earth	455190	455190	455190	455190	455190	455190
(59) §Spring pin, pick-up	—	—	—	—	—	—
(60) §Sundry parts, set	454697	454697	454697	454697	454697	454697

For illustrations, see page G36.

\* See Supersession Chart

† Left hand

‡ Right hand

§ Recommended spares for stock