

MAINTENANCE MANUAL

AND

INSTRUCTION BOOK

for

1954

350 c.c. and 500 c.c.

MATCHLESS

**SPRING FRAME AND RIGID
SINGLE CYLINDER MODELS**

PRICE 2/6 NETT



**MATCHLESS
MOTOR CYCLES**

PROPRIETORS : ASSOCIATED MOTOR CYCLES LIMITED

PLUMSTEAD • LONDON • S.E.18

WHEN CORRESPONDING REGARDING
SERVICE OR SPARES

***ALWAYS QUOTE
THE COMPLETE ENGINE NUMBER***

(Including all letters in it)

THIS ENABLES US TO IDENTIFY THE MACHINE

EACH SERIAL OF FRAMES IS NUMBERED FROM ZERO
UPWARDS. THEREFORE THE QUOTATION OF A
FRAME NUMBER ONLY DOES NOT PERMIT A MACHINE
TO BE IDENTIFIED.

MAINTENANCE MANUAL

AND INSTRUCTION BOOK

for

1954

SINGLE CYLINDER MOTOR CYCLES



Compiled and Issued by the Manufacturers :

MATCHLESS MOTOR CYCLES

(Proprietors: ASSOCIATED MOTOR CYCLES LIMITED)

Registered Offices:

PLUMSTEAD ROAD, PLUMSTEAD
LONDON, S.E.18 .. ENGLAND

Nearest Station :
WOOLWICH ARSENAL
(Southern Region Railway)

Factories :
BURRAGE GROVE and MAXEY ROAD
PLUMSTEAD, S.E.18

Telegrams and Cables: "MATCHLESS,WOL-LONDON"

Telephone : WOOLWICH 1 22 3 (5 Lines)

Codes : A.B.C. 5th and 6th Edition ; Bentley's ; and Private Codes

All correspondence to :—
MATCHLESS MOTOR CYCLES, PLUMSTEAD ROAD, LONDON, S.E.18

Price : **TWO SHILLINGS** and **SIXPENCE**

EDITION CM-26

1954 MATCHLESS MODELS

350 MODEL G3L RIGID FRAME (TOURING)

350 MODEL G3LS SPRING FRAME (TOURING)

350 MODEL G3LC RIGID FRAME (COMPETITION)

350 MODEL G3LCS SPRING FRAME (COMPETITION)

500 MODEL G80 RIGID FRAME (TOURING)

500 MODEL G80S SPRING FRAME (TOURING)

500 MODEL G80C RIGID FRAME (COMPETITION)

500 MODEL G80CS SPRING FRAME (COMPETITION)

350 — Bore 69 mm.

Stroke 93 mm.

Capacity 347 c.c.

500 — Bore 82.5 mm.

Stroke 93 mm.

Capacity 498 c.c.

INTRODUCTION

Motorcycling is one of the most economical and pleasurable modes of transport. It is our sincere wish that every "MATCHLESS" owner should obtain, from his mount, the service, comfort and innumerable miles of low-cost travel that we have earnestly endeavoured to build into it. However, it must be remembered that, although a motor cycle is of simple design and construction, it is, nevertheless, a highly specialised piece of engineering. In consequence, it must be intelligently and efficiently maintained in order to provide unfailing reliability.

In this book are non-technical instructions for carrying out all the maintenance operations likely to be called for in strenuous service and illustrations are provided to assist. Neglect to make essential adjustments, only casual attention to lubrication and the lack of periodical maintenance attention will soon neutralise the best efforts of the designers and may bring needless trouble to the owner.

We are always pleased to give "MATCHLESS" owners the full benefit of our wide experience in matters relating to motor cycles of our manufacture and elsewhere will be found details of the particulars that should be given us when making such an enquiry.

MATCHLESS MOTOR CYCLES

DATA

Identity

| | | | | | | | | | | |
|---------------------------------------|--|-----|--|-----|-----|-----|-----|-----|-----|---|
| Engine Number | ... | ... | ... | ... | ... | ... | ... | ... | ... | Stamped on left hand side of crankcase |
| Frame Number | ... | ... | Stamped on seat lug of main frame, on right hand side (below the saddle) | | | | | | | |
| Bore... | ... | ... | ... | ... | ... | ... | ... | ... | ... | 350 c.c. Models—2.7187 in. (2 ²³ / ₃₂ in.) 500 c.c. Models—3.250 in. (3 ¹ / ₄ in.) |
| Stroke | ... | ... | ... | ... | ... | ... | ... | ... | ... | All Models—93 mm. (approx.) (3.65625 in.) |
| Engine capacity, in cubic centimetres | 350 Models—54/G3L, 54/G3LS, 54/G3LC and 54/G3LCS—347 500 Models—54/G80, 54/G80S, 54/G80C and 54/G80CS—498 | | | | | | | | | |

Capacities

| Location | British | Metric |
|--|--------------------------|----------------|
| Engine | 350 c.c. 21.170 cub. in. | 347 c.c. |
| Engine | 500 c.c. 30.380 cub. in. | 498 c.c. |
| Gear box | 1 pint | 568.2 c.c. |
| Front fork (each side) | 6½ fl. ozs. | 184.6 c.c. |
| Rear leg (each leg)* | 3 fl. ozs. | 85 c.c. |
| Rear wheel fork hinge bearing* | 1½ fl. ozs. | 42.6 c.c. |
| Fuel tank (Rigid and Spring frame) 350 c.c. | 3 gallons | 13.638 litres |
| Fuel tank (Rigid and Spring frame) 500 c.c. | 3¾ gallons | 17.04 litres |
| Fuel tank (Competition) | 2¼ gallons | 10.2285 litres |
| Oil tank (to top level mark) | 4½ pints | 2.557 litres |

*On Spring Frame Models only.

Carburetter

| | 350 | 500 |
|--|--------------------|--------------------|
| Type | 76AV/IED | 89N/IED |
| Main jet size (no air filter fitted) | 150 | 180 |
| Main jet size (air filter fitted) | 130 | 160 |
| Throttle valve size | 6/4 | 29/4 |
| Jet taper needle position | 3rd notch from top | 2nd notch from top |
| Jet taper needle position (air filter fitted) | 2nd notch from top | 2nd notch from top |

Compression ratios

| Model | Normal ratio | High ratio |
|-------|--------------|---------------------------------------|
| 350 | 6.53 to 1 | According to piston. |
| 500 | 6.26 to 1 | See Spares List for ratios available. |

Gear box ratios

| Model | First gear | Second gear | Third gear | Fourth gear (top) |
|-----------------------------|------------|-------------|------------|-------------------|
| Touring | 2.65 to 1 | 1.70 to 1 | 1.308 to 1 | 1 to 1 |
| Competition (Rigid) | 3.11 to 1 | 2.02 to 1 | 1.422 to 1 | 1 to 1 |
| Competition (Spring) | 2.65 to 1 | 1.70 to 1 | 1.308 to 1 | 1 to 1 |

Gear ratios, Touring (Rigid and Spring Frame) and Spring Frame Competition

| Engine sprocket size | First gear | Second gear | Third gear | Fourth gear (top) |
|----------------------|------------|-------------|------------|-------------------|
| 15 teeth | 18.55 to 1 | 11.90 to 1 | 9.15 to 1 | 7 to 1 |
| (c) 16 teeth | 17.32 to 1 | 11.15 to 1 | 8.58 to 1 | 6.56 to 1 |
| 17 teeth | 16.32 to 1 | 10.47 to 1 | 8.05 to 1 | 6.16 to 1 |
| (a) 18 teeth | 15.44 to 1 | 9.90 to 1 | 7.63 to 1 | 5.83 to 1 |
| 19 teeth | 14.55 to 1 | 9.33 to 1 | 7.18 to 1 | 5.49 to 1 |
| 20 teeth | 13.91 to 1 | 8.91 to 1 | 6.86 to 1 | 5.25 to 1 |
| (b) 21 teeth | 13.25 to 1 | 8.50 to 1 | 6.54 to 1 | 5.0 to 1 |

(a) Standard for 350 c.c. Touring Models and 500 c.c. Spring Frame Competition Models.

(b) Standard for 500 c.c. Touring Models.

(c) Standard for 350 c.c. Spring Frame Competition Models.

Gear ratios, Competition Rigid Frame Models

| Engine sprocket size | First gear | Second gear | Third gear | Fourth gear (top) |
|----------------------|------------|-------------|------------|-------------------|
| 15 teeth | 21.77 to 1 | 14.14 to 1 | 10.37 to 1 | 7 to 1 |
| (a) 16 teeth | 20.40 to 1 | 13.25 to 1 | 9.72 to 1 | 6.56 to 1 |
| 17 teeth | 19.56 to 1 | 12.44 to 1 | 9.13 to 1 | 6.16 to 1 |
| (b) 18 teeth | 18.13 to 1 | 11.78 to 1 | 8.64 to 1 | 5.83 to 1 |
| 19 teeth | 17.07 to 1 | 11.09 to 1 | 8.14 to 1 | 5.49 to 1 |
| 20 teeth | 16.33 to 1 | 10.60 to 1 | 7.78 to 1 | 5.25 to 1 |
| 21 teeth | 15.55 to 1 | 10.09 to 1 | 7.41 to 1 | 5.0 to 1 |

(a) Standard for 350 c.c. Models.

(b) Standard for 500 c.c. Models.

Ignition (magneto)

| Model | Make | Type | Rotation | Point gap | Ignition point before top dead centre (with control in fully advanced position) |
|------------------|-------|------|------------|-----------|---|
| Touring 350 c.c. | Lucas | N1-4 | Anti-clock | -0.12 in. | Normal 37° (7/16") Max. ½" |
| Touring 500 c.c. | Lucas | SR-1 | Anti-clock | -0.12 in. | Normal 37° (7/16") Max. ½" |
| All Competition | Lucas | NR-1 | Anti-clock | -0.12 in. | Normal 37° (7/16") Max. ½" |

Lighting (bulbs)

| Location | Type | Voltage | Wattage | Part number |
|---------------------------|------------------------|---------|---------|-------------|
| Head lamp (Pre-focus) ... | Double filament | 6 | 30x24 | 312 |
| Pilot lamps | Single contact | 6 | 3 | 988 |
| Rear lamp... .. | Double filament | 6 | 18 & 3 | 352 |
| Speedometer | Single contact | 6 | 1.8 | 53205 |

Oversize parts

The following are the only " oversize " variations provided for the 350 and 500 c.c. Single Cylinder machines.

Big-end rollers :

-001 in. oversize

Cylinder re-bore :

-020 in. and -040 in. oversize

Pistons and rings :

-020 in. and -040 in. oversize

Pistons (standard size)

| Model | Top of skirt diameter | | | Front to rear clearance | | | Part number |
|-------|-----------------------|-----|------------|-------------------------|--|--|-------------|
| 350 | ... | ... | 2-7176 in. | -001 in. | | | 013504 |
| 500 | ... | ... | 3-2490 in. | -001 in. | | | 013505 |

All above measurements are subject to a toleration limit of + or — .0005 in

Piston rings

| | | | | | | | | | | | |
|---------------------------------|-----|-----|-----|-----|-----|-----|-----|-----|-----|-----|----------|
| Piston ring gap—Normal | ... | ... | ... | ... | ... | ... | ... | ... | ... | ... | -006 in. |
| Permissible maximum | ... | ... | ... | ... | ... | ... | ... | ... | ... | ... | -030 in. |
| Piston ring clearance in groove | ... | ... | ... | ... | ... | ... | ... | ... | ... | ... | -002 in. |

Sparking Plug

| Model | Make | Type | Thread | Reach | Point gap | | |
|-------|------|------|--------|-------|-----------|-------|------------------|
| All | ... | ... | K.L.G. | FE80 | 14 mm. | ¾ in. | -015 to -018 in. |

Valve timing (with .014 inch rocker clearance) Standard cams

| INLET VALVE | | | | EXHAUST VALVE | | | |
|--------------|--------|--------------|--------------|---------------|--------|--------------|--------------|
| Opens before | T.D.C. | 350 c.c. 36° | 500 c.c. 18° | Opens before | B.D.C. | 350 c.c. 50° | 500 c.c. 50° |
| Closes after | B.D.C. | 350 c.c. 51° | 500 c.c. 69° | Closes after | T.D.C. | 350 c.c. 30° | 500 c.c. 30° |

Taken with valve .001" off its seat.

Valve Guide Projection (Top of Guide to Boss)

Inlet—½" Exhaust—½"

Valve timing pinion

Retained by nut, threaded $\frac{7}{16}$ in. by 26 threads per in. Left hand thread Part number 000221.

Weight

Weight of machine with empty tanks

| Model | standard Rigid frame | Spring frame | Competition Rigid frame |
|-------|----------------------|--------------|-------------------------|
| 350 | 344 lbs. | 375 lbs. | 300 lbs. |
| 500 | 353 lbs. | 386 lbs. | 303 lbs. |

Wheels (bearing end play)

Bearing end play -002 in. (just a perceptible rim rock).

CONTROLS

- (1) **Throttle twist grip.** On right handlebar. Twist inwards to open. When fully closed engine should just idle when hot.
- (2) **Air lever.** Small lever on right handlebar. Pull inwards to increase air supply to carburetter. Once set, when engine has warmed up, requires no alteration for different road speeds. Should be fully closed when starting engine from cold.
- (3) **Ignition lever.** When fitted, Small lever on left handlebar. Advances and retards ignition point. Pull inwards to retard. Retard two-fifths of total movement for starting.
- (4) **Valve lifter lever.** Small lever close to clutch lever. Lifts exhaust valve from seat, releasing compression in combustion chamber, enabling engine to be easily rotated for starting. Also used for stopping engine if throttle stop is set as advised above.
- (5) **Clutch lever.** Large lever on left handlebar. Grip to release clutch so that drive to rear wheel is disconnected.
- (6) **Front brake lever.** Large lever on right handlebar. Grip to operate front wheel brake and, for normal braking, use in conjunction with rear brake application.
- (7) **Rear brake lever.** Pedal close to left side foot rest. Depress with left foot to apply rear brake. Apply gently and use increasing pressure as the road speed decreases
- (8) **Gear change lever.** Pedal in horizontal position close to right foot rest. Controls selection of the four speeds, or ratios, between engine and rear wheel revolutions, with a "free," or neutral, position. See illustration 2.
- (9) **Kick-starter lever.** Vertical pedal on right hand side of gear box.
- (10) **Lighting switch.** In top of head lamp. Controls lamps by a rotating lever which has three positions :
 - (1) " O F F " Lamps not on.
 - (2) " L " Pilot lamps, rear lamp and speedometer lamp on.
 - (3) " H " Main head lamp, rear lamp and speedometer lamp on.
- (11) **Ammeter.** In top of head lamp. Indicates flow of electric current, in, or out, of battery. (" Charge " or " Discharge.")
- (12) **Horn switch.** Press switch on right handlebar.
- (13) **Gear box filler cap.** Located on top edge of kick-starter case cover. Allows insertion of lubricant and access to clutch inner wire and internal clutch operating lever.
- (14) **Footrest for rider.**
- (15) **Petrol tank filler cap.** Located in top of fuel tank. To release, slightly depress, turn fully to the left, and then lift away. There are two locking positions. The middle position, between the fully tightened down and " lift away " positions, is in the nature of a " safety " device to prevent loss that might be occasioned by unauthorised meddling.
- (16) **Oil tank filler cap.** Located on top edge of oil tank. The construction and operation is exactly as the petrol tank filler cap.
- (17) **Dipping switch.** Trigger switch on left handlebar. Used to select normal or " dipped " beam of head lamp when main lighting switch lever is in the " H " position, (The main head lamp bulb has two filaments.)

If any adjustment is made to the rear brake pedal make certain the brake does not bind and also see there is not excessive free pedal movement before the brake comes "on."

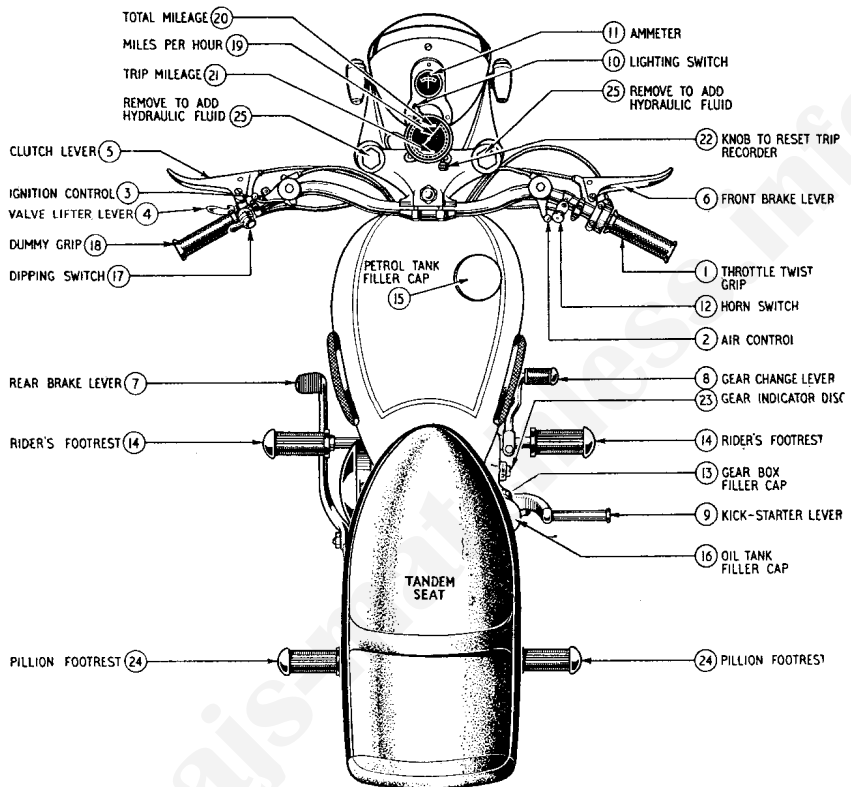


Illustration 1

Showing Controls

Before using the machine, sit on the saddle and become familiar with the position and operation of the various controls. Pay particular attention to the gear positions.

DRIVING

FUEL

Now that pre-war quality fuels are again available owners are advised to use only the best. The small economy that might be considered to accrue by using the cheaper grades is more than offset by the advantages obtained by using only Number One Grades.

FUEL SUPPLY

Two fuel feed taps are situated underneath the rear end of the petrol tank. (One each side.) Both must be shut off when the machine is left standing for more than a few minutes.

The tap plungers work horizontally. To open, the hexagon knob (marked " **push on** ") is pushed towards the body of the tap. To close, press the round milled knob (marked " **push off** ").

Normally, only use the tap on the right hand side of the machine and then the other side will act as a reserve supply. Always re-fuel as soon as possible after being forced to call upon the reserve (approx. ½ gallon), and then, at once, close the " reserve " tap.

It will be noted that, by fitting two petrol feed taps, it is possible to remove the petrol tank from the machine without the necessity of first draining it of fuel.

STARTING THE ENGINE

- (a) See that there is sufficient fuel in the petrol tank.
- (b) See that there is sufficient oil in the oil tank.
- (c) See that the gear pedal is in the neutral position.
- (d) Push inward the hexagonal end of off-side petrol tap slide.
- (e) See that the air control lever is in the fully closed position.
- (f) On models with manual control, fully advance the ignition and then pull back the control lever two-fifths of its total movement.
- (g) Open the throttle not more than one-sixth of the total movement of the twist grip.
- (h) Depress the plunger on the top of the carburettor float chamber until it can be felt the chamber is full of petrol.
- (i) Raise the valve lifter lever and, while keeping it raised, turn over the engine several times by depressing the kick-starter pedal, three times, the object being to free the engine. (This only applies if the engine is cold.)
- (j) Depress the kick-starter until compression is felt, then raise the valve lifter lever and ease the engine just over compression. Then, after allowing the kick-starter pedal to return nearly to its normal position, give it a long swinging kick with the valve closed. Flywheel momentum will carry over compression and the engine should fire immediately. If it fails to do so repeat exactly the same process.

Do not allow kick starter to return violently against its stop.

The kick-starter mechanism must be allowed to engage properly before putting heavy pressure on the kick-starter crank pedal pin. That means there are two definite and separate movements when operating the mechanism by depressing the crank.

The first is a slow and gentle movement which ends when it is felt the quadrant has engaged with the teeth on the ratchet pinion.

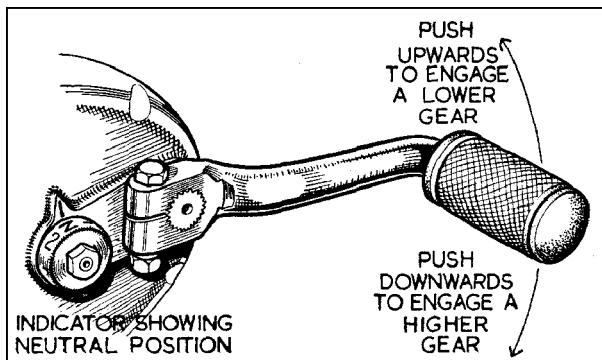


Illustration 2

Showing the gear indicator drum which upon assembly is set to record the various gears and neutral position, as the respective figure or letter N registers with index mark on the gearbox shell.

Upon re-assembly, after dismantling for any purpose, the index disc should be correctly re-set for future reference.

The first slow and gentle movement is essential to avoid damage to the teeth of the kick-starter quadrant.

After the engine has started, slowly open the air lever until it runs evenly. Then set the throttle so that the engine is running at a moderate speed (neither racing nor ticking over) and allow to warm up. While doing this, check the oil circulation as detailed in page 13. The machine can then be taken on the road.

NOTE—Do not race up the engine from cold and do not flood the carburetter to such an extent that petrol is dripping because then, in the event of a backfire, there is a danger of such loose petrol igniting. This cannot possibly happen if the starting instructions are carefully followed, but, in the event of a fire, there is no cause for panic. Merely turn off the petrol tap to isolate the main supply, open wide the throttle and turn over the engine by operating the kick-starter pedal when suction will extinguish the fire.

STOPPING THE ENGINE

To stop the engine, close the throttle, raise the valve lifter lever and keep it raised until the engine has ceased to revolve.

ON THE ROAD

Having started and warmed up the engine, take the machine off the stand, sit astride it, free the clutch by pulling up the large lever on the left bar and engage the lowest gear. Next, slowly release the clutch lever and the machine will commence to move forward. As it does this, the engine speed will tend to drop as it picks up the load so it will be necessary to increase the throttle opening, gradually, to keep the engine speed gently rising.

When well under way, disengage the clutch, slightly close the throttle, engage second gear and release the clutch lever, then open up the throttle to increase the speed of the machine. Repeat these operations in order to engage third and top gears.

To engage a higher gear the pedal is pressed downward with the toe and a lower gear is obtained by raising the pedal with the instep. To engage first gear from the neutral position, the pedal is therefore raised. After each pedal movement, internal springs return the pedal to its normal horizontal position.

The pedal must be moved to the full extent of its travel when selecting a gear, either up or down. It must not be "stamped down" or jabbed, but firmly and decisively moved till it stops. A half-hearted movement may not give full engagement. Keep the foot off the pedal when driving and between each gear change because, unless the lever can freely return to its normal central position, the next gear cannot be engaged. Finally, fully advance the ignition (350 c.c. models) and leave it in that position unless it is necessary to retard in order to ease the engine and so prevent "pinking" when pulling hard on a gradient.

STOPPING THE MACHINE

To stop the machine, close the throttle, declutch by lifting the large lever on the left handlebar, and gently apply both brakes, increasing the pressure on them as the road speed of the machine decreases. Place the gear change foot pedal in the neutral position and stop the engine.

Before leaving the machine, turn off the fuel supply.

IMPORTANT NOTICE

NEVER DRIVE AWAY AT HIGH SPEED WHEN STARTING A RUN WITH A COLD ENGINE. GIVE THE OIL A CHANCE TO WARM UP AND THIN OUT. PARTICULARLY WHEN THE MACHINE IS COLD. UNTIL THE OIL REACHES ITS NORMAL RUNNING TEMPERATURE THE CIRCULATION IS RESTRICTED. SEIZURES CAN BE AVOIDED BY TAKING THIS SIMPLE ESSENTIAL PRECAUTION.

RUNNING IN

Although it is customary to quote permitted maximum speeds on the various gears during the period of running in, these are really no guide to overdriving, the only essential thing to avoid being the use of large throttle opening.

If the precaution is taken of limiting the use of the throttle to about one-third of its opening during the first 1,000 miles, irrespective of the road speed, and whether on the level or climbing, the necessary conditions for running in will have been observed.

Special attention must be given, during the running in period, to such details as valve rocker adjustment, chains, brakes, contact breaker points, and steering head bearings, all of which tend to bed down in the first hundred miles or so. Particular note must be made of the adjustment of steering head bearings, which, if run in a slack condition, will be quickly ruined. After this bedding down process has taken place, adjustments to such details will only be necessary at lengthy intervals.

After about 1,000 miles have been covered larger throttle openings may be gradually indulged in for short bursts only.

Until at least 2,000 miles have been covered the owner of a new machine is strongly advised to curb his natural desire to learn the mount's maximum capabilities. Restraint in this direction will be amply repaid later.

NOTES ON DRIVING

If, at first, the lowest gear will not engage, release the clutch lever and after a second or two, make another attempt. This condition may exist in a new machine, but it tends to disappear after a little use.

Always endeavour to make the movements of hand (on the clutch) and foot (on the gear pedal) as simultaneous as possible, and remember, in all gear changes, a steady pressure of the foot is desirable. This pressure should be maintained until the clutch is fully released. It is not sufficient just to jab the foot pedal and then release the clutch lever. When actually in motion, it will be found sufficient to merely free the clutch a trifle, to ease the drive when changing gear and, with reasonable care, changes of gear then can be made without a sound.

Do not unnecessarily race the engine or let in the clutch sufficiently suddenly to cause the rear wheel to spin. Take a pride in making a smooth, silent get-away.

When changing up to a higher gear, as the clutch is freed, the throttle should be slightly closed so that the engine speed is reduced to keep in step with the higher gear ratio. Conversely, when changing down to a lower gear, the throttle should be regulated so that the engine speed is increased to keep in step with the lower gear ratio.

Do not slip the clutch to control the road speed.

The clutch is intended to be used only when starting from a standstill and when changing gear. It must **NOT** be operated to ease the engine, instead of changing gear, or be held out, in order to "free-wheel."

The exhaust valve lifter is **NOT** used in normal driving on main and secondary roads.

When travelling slowly, such as may occur in traffic or on a hill, and the engine commences to labour, it is then necessary to change to a lower gear. Engine "knocking" or "pinking" and a harshness in the transmission are symptoms of such labour. A good driver is able to sense such conditions and will make the change before the engine has reached the stage of distress. The gear box is provided to be used and consequently full use should be made of the intermediate gears to obtain effortless running and smooth hill climbing.

Keep the feet clear of the brake and gear pedals when not actually using them and keep the hand off the clutch lever when not in use.

Drive as much as possible on the throttle, making the minimum use of the brakes.

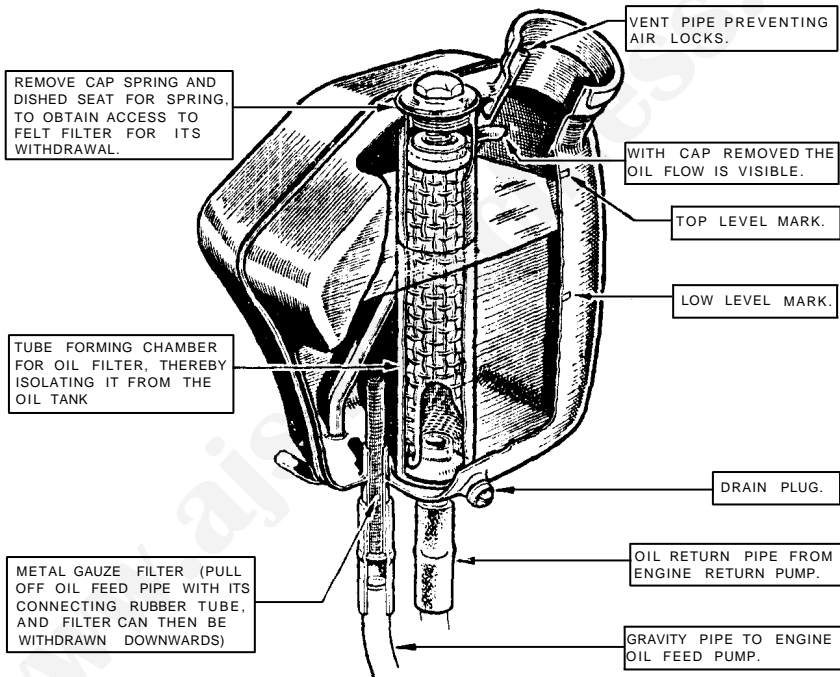
When using the machine on wet or greasy roads, It is generally better to apply **BOTH** brakes together, because sudden or harsh application of either brake only, under such conditions, may result in a skid.

In all conditions, It is advisable to make a habit of always using both brakes together rather than habitually using the rear brake and reserving the front brake for emergency.

CHECKING OIL CIRCULATION

Provision is made to observe the oil in circulation and It is advisable to do this before each run.

If the filler cap on the oil tank is removed the bent over end of the oil return pipe will be noticed some two inches below the level of the filler cap orifice and the returning oil can be seen running from it. This check should be made Immediately after starting the engine from cold. This is because while the engine is stationary, oil from all parts of the interior of the engine drains back into the crankcase sump, so that, until this surplus is cleared, the return flow is very positive and continuous. Therefore, if the oil circulation is deranged, the fact is apparent at once by the lack of a steady return flow.



Showing the oil tank with the felt filter in its cylindrical housing and the metal strainer mounted on the entry end of the feed pipe union. Also shows the direction of flow of oil from tank to engine and return flow from engine to tank via the small spout, located so that it can be inspected by removing the tank filler cap. An air vent pipe is provided to ensure freedom from air-locks.

LUBRICATION

LUBRICANTS TO USE

Efficient lubrication is of vital importance and it is false economy to use cheap oils and greases.

We recommend the following lubricants to use in machines of our make :

FOR ENGINE LUBRICATION

| SUMMER | | WINTER | |
|---------------------------|----------|-----------------------|----------|
| Mobiloil D | (SAE-50) | Mobiloil A | (SAE-30) |
| Castrol Grand Prix | (SAE-50) | Castrol XL | (SAE-30) |
| Energol 50 | (SAE-50) | Energol 30 | (SAE-30) |
| Essolube 50 | (SAE-50) | Essolube 30 | (SAE-30) |
| Shell Motor Oil X-100 | (SAE-50) | Shell Motor Oil X-100 | (SAE-40) |

FOR GEAR BOX LUBRICATION

| | |
|---------------------------|----------|
| Mobiloil D | (SAE-50) |
| Castrol Grand Prix | (SAE-50) |
| Energol 50 | (SAE-50) |
| Essolube 50 | (SAE-50) |
| Shell Motor Oil X-100 | (SAE-50) |

FOR HUB LUBRICATION AND ALL FRAME PARTS USING GREASE

Mobilgrease No. 4
Castrollease Heavy
Energrease C 3
Esso Pressure Gun **Grease**
Shell **Retinax** Grease **C D.** or **A.**

FOR TELEDRHAULIC FRONT FORKS AND TELEDRHAULIC REAR LEGS

| | |
|------------------------|----------|
| Mobiloil Arctic | (SAE-20) |
| Castrolite | (SAE-20) |
| Energol 20 | (SAE-20) |
| Essolube 20 | (SAE-20) |
| Shell Motor Oil X-100 | (SAE-20) |

FOR REAR CHAINS

Tallow

When buying oils and greases it is advisable to specify the **Brand** as well as the grade and, as an additional precaution, to buy only in sealed containers or from branded cabinets.

ENGINE LUBRICATION SYSTEM

This is by dry sump system. Oil feeds, by gravity, from the oil tank to the pump in the crankcase. The pump forces oil to various parts, which then drains to the bottom of crankcase sump. The pump then returns oil to the tank. This process is continuous while the engine is revolving. The pump is so designed that it has a greater capacity on the return side to that on the delivery side to ensure that all oil is extracted from the crankcase. A felt cartridge filter, in the oil tank, removes foreign matter collected by the oil in its passage through the engine. A metal gauze strainer is fitted to the oil feed pipe in the oil tank to prevent pieces of fluff, etc., which may find their way into the tank when replenishing, from entering the oil pump. (See Illustration 3.)

Felt filter and metal strainer should be cleaned in petrol each time the oil tank is drained.

ENGINE OIL PUMP

The pump has only one moving part. This is the plunger which revolves and reciprocates. Rotation is caused by the worm gear on the timing side flywheel axle. Reciprocation is caused by the guide pin which engages in the profiled groove cut on the plunger. Oil is fed to the pump through the lower of the two oil pipes between tank and crankcase and is returned through the upper pipe.

If, for any reason, the crankcase is dismantled **the oil pump plunger must be removed from its housing before attempting to separate the crankcase halves.** It is not necessary to remove the small timing pinion which will pass through in situ.

ENGINE OIL CIRCULATION

The oil pump forces oil through :—

- (a) A passage cut through the timing side flywheel axle, timing side flywheel and crank pin to lubricate the big-end bearing. The splash passes to interior of cylinder, to lubricate the cylinder and piston, and then falls into the crankcase sump.
- (b) A passage in crankcase, controlled by ball valve, direct to the cylinder, to assist in cylinder and piston lubrication and then falls into the crankcase sump.
- (c) A passage in timing gear case where it "builds up" to a predetermined level to lubricate the timing gears and then overflows into the crankcase sump.
- (d) Through a pipe from the front of oil pump housing to the rocker box by which all rocker gear and valve stems are lubricated and then falls through the push rod cover tubes and tappet guides to the timing gear case and, from there, drains into the crankcase sump, as detailed in Para. (c).

The oil pump extracts oil in the crankcase sump and returns it to oil tank. On its way it passes through the felt cartridge filter located in the oil tank.

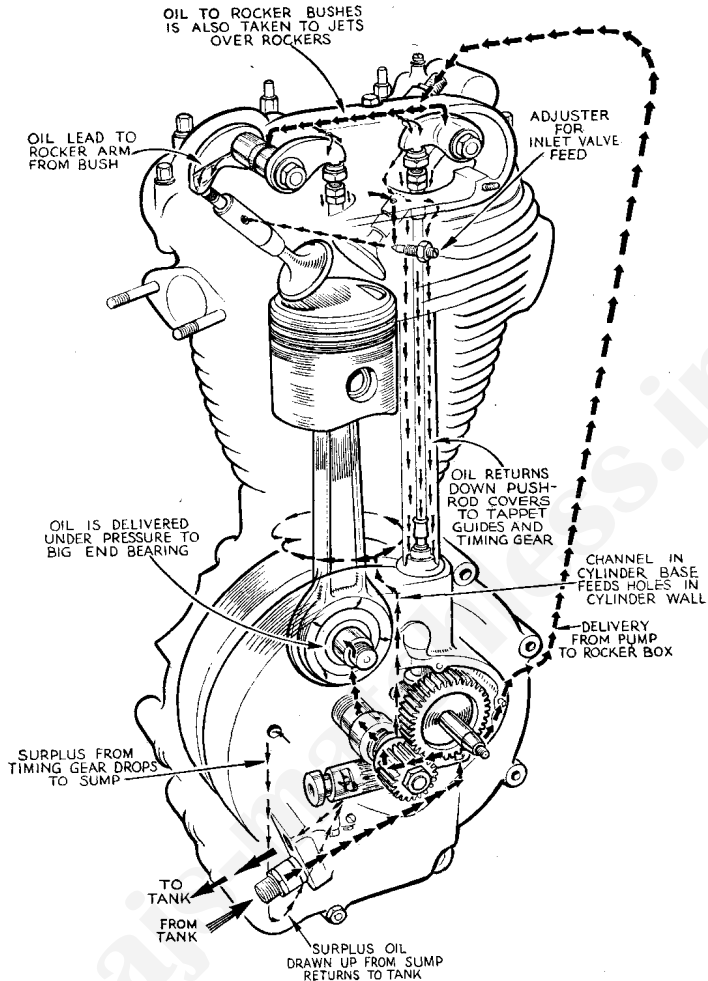


Illustration 4

Engine Oil Circulation

THE OIL TANK AND FILTERS

The level of oil in the supply tank should never be allowed to fall below the low level mark and, upon replenishment, should not be higher than the top level mark otherwise, when starting the engine, the bulk of oil in the crankcase sump may be greater than the space available in the tank.

The oil filter is made in cylindrical form of thick felt and is supported by a tubular wire cage. The felt is not detachable from the cage.

A metal gauze strainer is secured in the tank end of the feed pipe union.

After the first 500 miles, again at 1,000 miles, and subsequently at 5,000 mile intervals, it is recommended that the oil tank is drained, the oil filters cleaned in petrol and the tank replenished with new oil.

TO REMOVE THE FELT OIL FILTER

Unscrew the hexagonal headed cap on the top of oil tank and withdraw the dished washer and spring. Then insert a finger in the exposed open end of the felt filter and gently raise. As the filter emerges from the tank gently strain inward and backward on rigid frame model to clear the saddle frame or outward and forward on spring frame model to clear the twin seat. Care in this operation is necessary to avoid kinking the filter.

To re-fit filter :—

Reverse above instructions.

NOTE—If, after the filter has been removed from the tank, it is damaged, so that the felt is perforated, or the ends distorted, it is essential to discard it and to fit a new filter.

Be careful to avoid damaging the filter or the cork washer under the hexagonal cap.

To remove and clean the feed pipe metal filter:

Release the oil feed pipe from the rubber connecting sleeve on the metal feed pipe protruding from the bottom of the oil tank.

The metal filter may come away with the rubber sleeve, in which case there is no need to disturb it. On the other hand it may remain in the oil tank bottom pipe, in which case it may be withdrawn by grasping the ringed open end and pulling away.

After removal the filter should be cleaned in petrol and allowed to dry before re-fitting.

Reverse the above procedure to re-fit the filter and pipes.

ADJUSTMENT OF OIL FEED

The internal flow of oil is regulated by fixed restrictions. No adjustment is provided except for the oil feed to the inlet valve stem. This adjustment is made by a needle pointed screw located in the right side of cylinder head. (See Illustration 5.) It is locked in position by a nut. The approximate correct setting is one-sixth of a complete turn from the fully closed position. Once set it requires little, or no, adjustment.

Inlet valve squeak indicates the oil feed adjustment is not open enough. Excessive oil consumption, a smoky exhaust or an oiled sparking plug, generally indicates the oil feed adjustment is open too much.

EXHAUST VALVE STEM LUBRICATION

The exhaust valve stem is lubricated by oil flowing through a passage drilled in the cylinder head. No adjustment is provided.

LUBRICATION POINTS TO REMEMBER

A dirty, or choked, felt oil filter causes heavy oil consumption. This is because the return flow of oil to the oil tank is reduced, thereby allowing an excess of oil to "build up" in the crankcase sump, much of which passes to the piston.

A clogged metal strainer, in the gravity feed pipe, will also cause improper, or no, oil circulation: This can only occur as the result of adding dirty oil when replenishing the tank.

Both end caps on pump plunger housing must be air-tight.

Check oil circulation before starting each run.

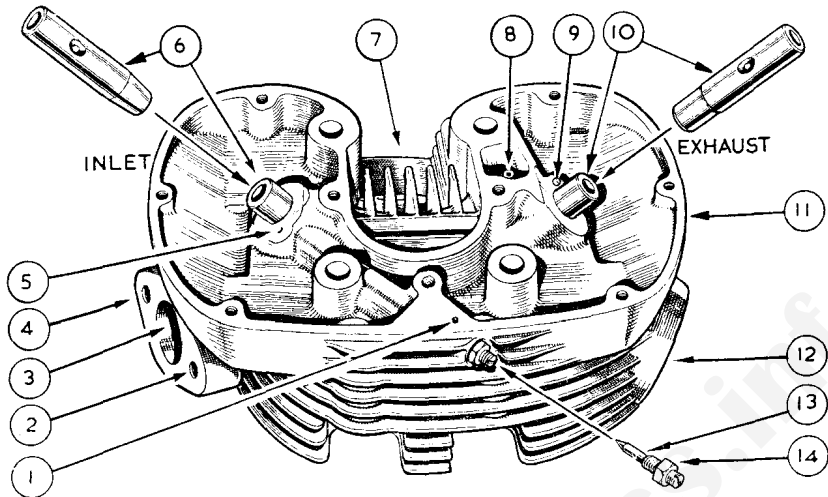


Illustration 5

The inlet valve guide is shown withdrawn as also is the inlet valve stem adjusting screw (with lock nut)

- | | |
|---|--|
| 1 PLAIN HOLE, FOR OIL FEED TO INLET VALVE. | 8 PLAIN HOLE, FOR OIL FEED TO EXHAUST VALVE. |
| 2 TAPPED HOLE, TO ACCOMMODATE CARBURETTER RETAINING STUD. | 9 HOLE, TO ACCOMMODATE DOWEL PIN LOCATING VALVE SPRING SEAT. |
| 3 INLET PORT. | 10 GUIDE, FOR EXHAUST VALVE. |
| 4 TAPPED HOLE, TO ACCOMMODATE CARBURETTER RETAINING STUD. | 11 HEAD. |
| 5 HOLE, TO ACCOMMODATE DOWEL LOCATING VALVE SPRING SEAT. | 12 EXHAUST PORT. |
| 6 GUIDE, FOR INLET VALVE. | 13 NEEDLE SCREW, ADJUSTING OIL FEED TO INLET VALVE. |
| 7 TAPPED HOLE, FOR SPARKING PLUG. | 14 LOCK NUT, FOR NEEDLE ADJUSTING SCREW. |

GEAR BOX LUBRICATION

Use one of the grades of Oils specified. In no circumstances must heavy grease be used.

Lubricant is inserted through the filler cap orifice mounted on top edge of kick-starter case cover.

The gear box must not be entirely filled with oil, and, under normal conditions, the addition of two fluid ounces of oil every 1,000 miles will be sufficient.

Excessive oil will cause leakage.

A screwed drain plug in gear box shell, low down at rear, facilitates gear box flushing and change of lubricant. An oil level plug, adjacent to K-S spindle, indicates maximum permissible oil level (content 1 pint).

HUB LUBRICATION

Keep hubs packed with grease. This prevents entry of water and dirt. Grease nipples in centre of rear hub and side of front hub. Inject small quantity of grease. Excessive grease may impair efficiency of brakes.

CHAIN LUBRICATION

Front driving chain and dynamo chain run in oil bath. (Front chaincase.) Use engine oil. Maintain level to height of the inspection cap opening.

Oil in front chaincase also lubricates the engine shock absorber. Transmission harshness generally indicates level of oil in chaincase is too low.

Remove chaincase inspection cap each week, inspect level of oil, top-up as necessary.

To remove inspection cap :—

Unscrew knurled screw about four turns.

Slide cap sideways, till the back plate can be slipped through the opening, and take away the complete cap assembly.

When replacing inspection cap, centralise cork washer and then fully tighten knurled screw. Essential this is kept tight otherwise cap assembly will be lost.

Rear driving chain should be removed for lubrication. Clean chain in paraffin, drain and wipe. Immerse in bath of molten tallow for preference, leave for several minutes, remove and allow excess lubricant to drain off and then replace on machine. Engine oil is a poor substitute for tallow and, if used, chain should be allowed to soak for several hours to ensure penetration to all joints.

Lubricate rear chain every three thousand miles in Summer and every thousand miles in Winter.

Magneto chain runs in case packed with grease.

BRAKE EXPANDER LUBRICATION

Grease nipple on each brake expander bush. (One on each brake cover plate.) Use grease sparingly. Excessive grease may impair efficiency of brakes.

BRAKE ROD JOINT LUBRICATION

A few drops of engine oil on each brake rod yoke end pin and on the threaded portion of brake rod. ,One pin on yoke each end of brake rod and on bottom of front brake cable.)

BRAKE PEDAL LUBRICATION

Grease nipple in heel of foot brake pedal.

SPEEDOMETER LUBRICATION

One grease nipple on top of speedometer gear box attached to right side of rear wheel spindle. (No other part of the speedometer requires lubrication.)

STAND FIXING BOLT LUBRICATION

Several of the parts of a motor cycle that have a very small amount of movement, such as the hinge bolts of the stands, should be lubricated.

STEERING HEAD BEARING LUBRICATION

One grease nipple on Front Frame Head Lug and another on right hand side of Handlebar Lug.

CONTROL CABLE LUBRICATION

To ensure free smooth action the clutch and throttle cables are fitted with a conveniently situated grease nipple. Use engine oil and hold the grease gun as near verticle as possible (spout downward) to obtain efficient ejection of oil, the gun being primarily intended for grease. Lubricate at first sign of stiff or jerky action.

CONTROL LEVER LUBRICATION

Occasionally a drop of engine oil on all moving parts of the handlebar control levers.

If twist grip is too stiff : remove two screws binding the two halves of the clip. This releases the grip which may be pulled off the handlebar. Smear handlebar, the drum on which the inner wire is wound and the friction spring on the half clip with grease and replace.

REAR FORK HINGE (spring frame models)

Heavy Gear Oil (see page 57).

WHEN ORDERING SPARES

ALWAYS QUOTE

THE COMPLETE ENGINE NUMBER

(Including all the Letters in it).

THIS ENABLES THE MACHINE TO BE IDENTIFIED.

EACH SERIES OF FRAMES IS NUMBERED FROM ZERO UPWARDS. THEREFORE THE QUOTATION OF A FRAME NUMBER ONLY DOES NOT FACILITATE IDENTIFICATION.

LUBRICATION CHART

The figures in diamond frames refer to parts located on the left hand side of the machine and those in circles refer to parts located on the right hand side.

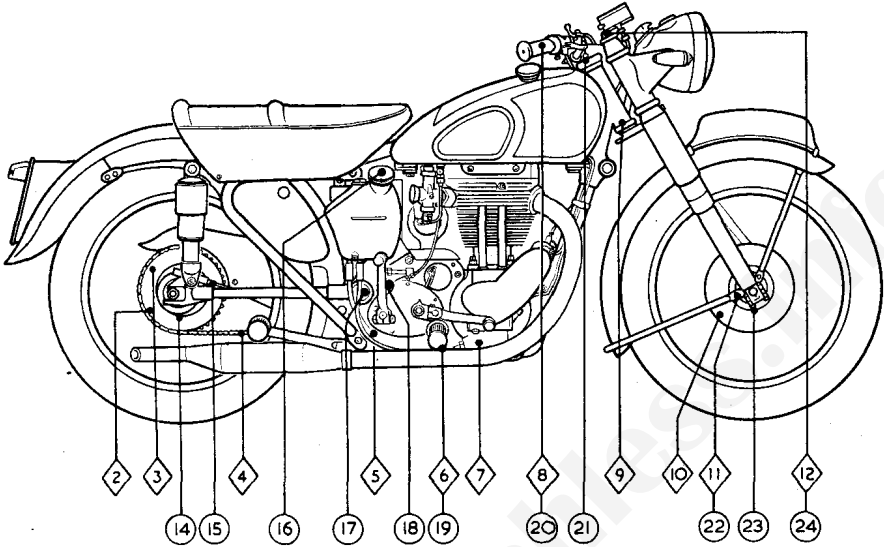


Illustration 6

Lubrication Chart

Engine Oil Locations

- 16 MAIN OIL TANK.
- 7 FRONT CHAINCASE.
- 8 } CONTROL LEVER MOVING PARTS.
- 20 }
- 2 BRAKE ROD JOINTS.
- 6 } FRONT, CENTRE AND PROP STAND
- 11 }
- 19 } HINGE PINS.
- 22 }

Hydraulic Fluid Locations

- 12 } FRONT TELEDRHAULIC FORKS.
- 24 }

Heavy Engine Oil Location

- 18 GEAR BOX.

Grease Locations

- 23 FRONT HUB.
- 14 REAR HUB.
- 21 STEERING HEAD TOP BEARING.
- 9 STEERING HEAD BOTTOM BEARING.
- 15 SPEEDOMETER GEAR BOX.
- 10 FRONT BRAKE EXPANDER.
- 3 REAR BRAKE EXPANDER.
- 5 BRAKE PEDAL SPINDLE.

Heavy Gear Oil Location

- 17 REAR FORK HINGE.

Tallow Location

- 4 REAR CHAIN.

When buying oils and greases it is advisable to specify the **Brand** as well as the grade and, as an additional precaution, to buy only in sealed containers or from branded cabinets.

MAINTENANCE

PERIODICAL MAINTENANCE

Regular maintenance, attention to lubrication, and certain adjustments must be made to ensure unfailing reliability and satisfactory service. This necessary attention is detailed below, and owners are strongly recommended to follow carefully these suggestions and to make a regular practice of doing so from the first.

The reference numbers, in brackets, refer to the locations specified on the Lubrication Chart, Illustration 6.

DAILY

Oil tank Inspect oil level (16.) and top-up if necessary. Check oil circulation.

Petrol tank Check level and re-fill if necessary.

WEEKLY

Oil tank Check level (16.) and re-fill if necessary.

Tyres Check pressures and inflate if necessary.

EVERY 500 MILES

Oil tank Drain at first 500 miles and re-fill with new oil, and clean felt filter. (16.)

Gear box Drain at first 500 miles and re-fill (18.) 1 pint.

Chaincase Check level of oil when machine is standing vertically on level ground, when level of oil should not be less than $\frac{3}{16}$ " below bottom edge of Inspection orifice. (7.)

Rear chain If dry, apply engine oil with a brush. (4.)

Battery Inspect each cell for level of electrolyte and top-up with distilled water if necessary. (See pages 80 and 81.) Level of electrolyte should just be over top of plates.

EVERY 1,000 MILES

| | |
|----------------------|---|
| Oil tank | Drain at first 1,000 miles and re-fill with new oil. (16.) |
| Rear chain | In wet weather, remove and soak in molten tallow for preference. (4.) |
| Gear box | Add 2 fluid ounces of specified oil. (18.) |
| Hubs | Inject small amount of grease. (14 & 23.) |
| Expanders | Inject small amount of grease. (3 & 10.) |
| Steering head | Inject small amount of grease. (9 & 21.) |
| Small parts | Smear all moving parts with engine oil and wipe off surplus. |
| Air Filter | (If fitted) clean and re-oil filter element. |

EVERY 3,000 MILES

| | |
|-----------------------|---|
| Rear chain | In dry weather, remove and soak in molten tallow for preference. (4.) |
| Brake pedal | Inject small amount of grease. (5.) |
| Speedometer | Inject small amount of grease into speedometer gear box. (15.) |
| Magneto | Clean contact breaker points and re-set if necessary. |
| Plug | Clean sparking plug and re-set points as necessary. |
| Steering head | Test steering head for up and down movement and adjust if necessary. |
| Bolts and nuts | Check all nuts and bolts for tightness and tighten if necessary, but beware of over-tightening. |
| Rockers | Check O.H.V. rocker adjustment and correct if necessary. |

EVERY 5,000 MILES

| | |
|--------------------|---|
| Oil tank | Drain and re-fill with new oil. (16.) If machine is only used for short runs renew oil every three months instead of mileage interval. |
| Filters | Clean metal mesh filter in oil tank. (Illustration 3.) Clean felt fabric filter in oil tank. |
| Dynamo | Clean as detailed in Electrical section. |
| Front fork | Check each side of front fork for hydraulic fluid content and, if necessary, top up. (12 & 24.) Insufficient oil content is indicated by abnormally lively action. |
| Rear legs | (If fitted) Check each leg for hydraulic fluid content and, if necessary, top-up. Insufficient oil content is indicated by abnormally lively action. (Dealers' Service only.) |
| Carburetter | Remove carburetter float chamber and clean its interior. |

EVERY 10,000 MILES

| | |
|---------------------------|--|
| Magneto and Dynamo | Get a Lucas Service Station to dismantle, clean, lubricate and generally service. |
| Air Filter | (If fitted) renew filter element. |

FREE SERVICE SCHEME

FREE SERVICE SCHEME

All owners of **NEW MODELS** are entitled to one **FREE SERVICE AND INSPECTION** at 500 miles, or, at latest, three months after taking delivery.

This service is arranged by the supplying dealer to whom the **Free Service Voucher** must be handed. This voucher, together with the Instruction Manual, are supplied by us upon receipt of the signed application card to be found in the tool box upon taking delivery of a new motor cycle.

The **INSPECTION AND SERVICE** consists of:

(a) Check, and, if necessary, adjust :

- | | |
|-----------------------------|-------------------------------------|
| (1) Rocker clearances. | (6) Wheel bearings. |
| (2) Contact breaker points. | (7) Brakes. |
| (3) Sparking plug. | (8) Forks, legs, and steering head. |
| (4) Clutch. | (9) Alignment of wheels. |
| (5) Chains. | (10) Tyre pressures. |

(b) Tighten all external nuts and bolts, including cylinder bolts and fork crown pinch screws.

(c) Top-up battery and check all lighting equipment.

(d) Clean out carburetter and check for correct idling.

(e) Adjust and lubricate all cables.

(f) Grease all nipples.

(g) Drain oil system. Clean filter and replenish.

(h) Check oil level in front chaincase.

(i) Top-up gear box.

(j) Test machine on the road.

NOTE—Oils, greases and materials used are chargeable to the customer.

FOR THE CONVENIENCE OF OWNERS,

SPARES STOCKISTS

ARE APPOINTED FOR MOST DISTRICTS. TO SAVE DELAY, AND THE DELIVERY SURCHARGE, CUSTOMERS ARE RECOMMENDED TO ALWAYS APPLY TO THEIR NEAREST SPARES STOCKIST.

ENGINE SERVICE

ACCESS

For almost all service work to the upper parts of the engine, It is necessary, in order to obtain accessibility, first, to remove the petrol tank. The two petrol taps facilitate this operation by removing the need to first drain the tank of petrol.

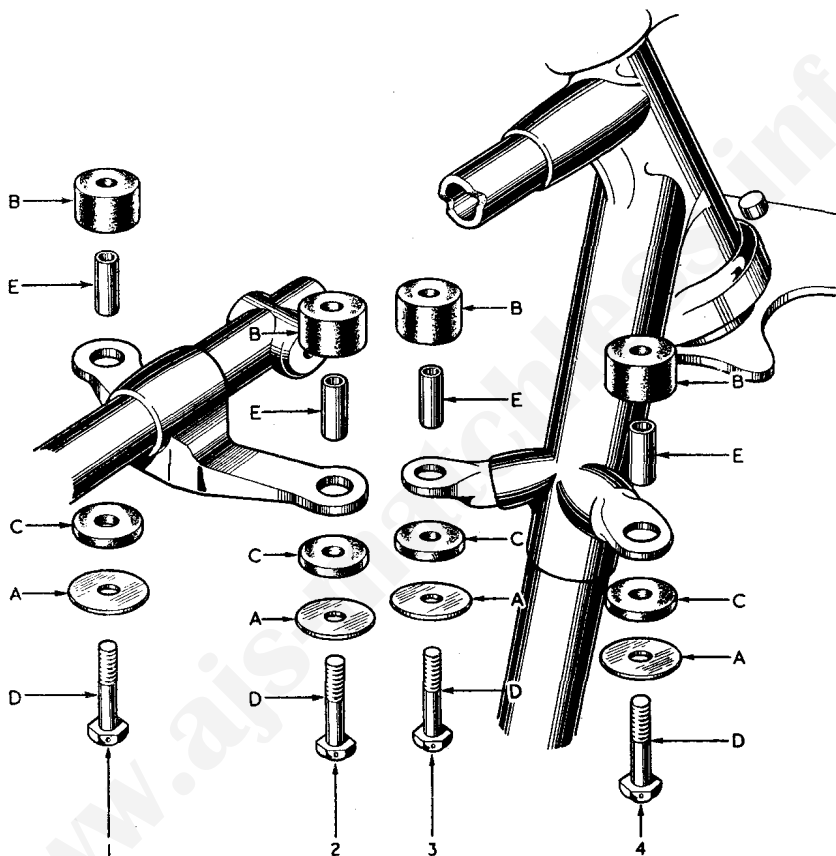


Illustration 7

Showing details and order of assembly, of the fuel tank fixing bolts and components

| | | | | | | | Part Number | |
|---|-----|------------------------|-----|-----|-----|-----|-------------|----------------|
| A | ... | METAL WASHER | ... | ... | ... | ... | 014999 | 1¼" diameter. |
| B | ... | THICK RUBBER PAD | ... | ... | ... | ... | 014995 | ¾" high. |
| C | ... | THIN RUBBER PAD | ... | ... | ... | ... | 014996 | ¾" high. |
| D | ... | TANK FIXING BOLT | ... | ... | ... | ... | 014997 | 1¼" x ⅝" x 26. |
| E | ... | SLEEVE FOR FIXING BOLT | ... | ... | ... | ... | 014998 | ⅜" long. |

TO REMOVE THE PETROL TANK

On Spring Frame Models remove the twin seat.

Close both petrol taps and disconnect the petrol feed pipe from each tap. (Use two spanners, one to hold the tap and the other to unscrew the union nut on the petrol pipe.)

Cut the wires interlacing the four fixing bolts.

Unscrew the tank fixing bolts and the tank is then free to be taken away.

NOTE—The disposition of the various rubber and metal washers and tubular spacers should be specially observed so that they may be correctly replaced.

TO REPLACE THE PETROL TANK

Proceed in reverse order to removal. Screw firmly home the four fixing bolts and interlace them, in pairs, with 22 gauge copper wire.

TO REMOVE THE ROCKER BOX

Remove the petrol tank.

Remove the three nuts and fibre washers retaining the rocker box side cover and take away the cover.

Disconnect the oil pipe feeding oil to the rocker box.

Turn over engine until both valves are completely closed.

Remove engine steady bracket by removing bolt from frame clip and nuts and washers from the rocker box bolt extensions.

Remove the nine bolts retaining rocker box to cylinder head.

Disconnect valve lifter cable.

Tilt upward the right hand side of rocker box and extract the two long pushrods. Lay these aside so they may be identified and replaced in their original position.

The rocker box may then be lifted off.

TO REPLACE THE ROCKER BOX

Carefully clean the top of cylinder head and lower face of rocker box.

Revolve engine until both tappets are down, *i.e.*, the top dead centre of firing stroke. Lay the composition jointing washer on cylinder head. This must be faultless. If necessary, renew.

Lay the rocker box in position then slightly raise the right hand side to allow the long push rods to be inserted into their original respective positions.

Insert all nine rocker box fixing bolts and note that the bolt with short head is in the centre right hand position and the bolts with threaded extensions are fitted one each side of the central short head bolt.

Tighten each bolt in turn bit by bit until all are fully home.

Replace the engine steady stay.

Turn engine over several times to ensure parts have bedded home.

Re-fix valve lifter cable.

Re-fix rocker box oil pipe union nut using two spanners to ensure that the union screwed into rocker box does not turn while the nut is being tightened.

Check tappet clearances and re-set if necessary.

Inspect rubber fillet on rocker box side cover and renew if not perfect.

Replace the side cover ensuring that a fibre washer is fitted under each of the three retaining nuts.

Beware of over tightening these nuts, the joint being made by the rubber fillet excessive pressure is not necessary.

Replace the petrol tank.

DECARBONISATION

Instead of the usual stipulated mileage interval between periods of decarbonisation, it is recommended that this is undertaken only when the need for same becomes apparent because of excessive pinking, loss of power or generally reduced performance. When undertaken, unless it is thought necessary to inspect the piston and rings, the cylinder barrel is best left undisturbed. The various stages in decarbonisation are described below.

TO REMOVE THE CYLINDER HEAD

Remove

The petrol tank.
The sparking plug.
The rocker box.

Remove the exhaust system by :

Remove nut, and washers, retaining exhaust pipe to its stay.
Remove nut, and washers, retaining silencer to its stay.
Remove complete exhaust system, by pulling away from stays and then downwards, from the exhaust port in cylinder head.

Remove carburetter by:

Unscrew two carburetter retaining nuts.
Take away carburetter and rest on saddle.

Remove

The four bolts retaining cylinder head to barrel, and head is free to be taken away. While doing this the push rod cover tubes will come away with the head.

If the sparking plug resists removal, do not use force but brush paraffin round the body and leave for a time to soak before making further effort.

TO REMOVE AND REPLACE THE VALVES

Remove the cylinder head.

Remove the valve springs by inserting a finger in the spring coil and sharply pull upward.

The top spring collar and split collet can then be removed leaving the valve free to be withdrawn.

A sharp light tap on the valve collar may be necessary to free the taper split collet. It will be observed that the valve spring seat has a raised impression on its under side which registers with a hole drilled on the valve guide boss to ensure accurate positioning.

To remove a valve guide, thoroughly clean protruding end of guide to be removed. Apply gentle heat and press guide downwards. Re-heat when replacing and see that correct projection is obtained, viz. $\frac{1}{2}$ ". Also see that oil hole in guide is in correct alignment.

TO REPLACE A VALVE

After cleaning valve guide bores, smear each valve stem with clean oil, insert, and apply top collar and split collet.

Then apply the valve springs which although possible to fit by hand are more easily manipulated with a special compressor tool Part No. 018276 illustration 8. To operate this tool apply the top end of the valve spring to its groove in the top cap, then insert a short rod (one of the rocker box fixing bolts suits admirably) through the holes in this tool and the valve spring coils and pull outward and upward until the ends of the prong of the spring can be rested on the seat, then press down with the fingers. Withdraw the bolt or rod when the compressor lies against the cylinder head, retaining pressure with the fingers until the bolt has been withdrawn and the tool removed, when the spring can be readily pushed down to its proper location with the prongs laying flat upon the seat.

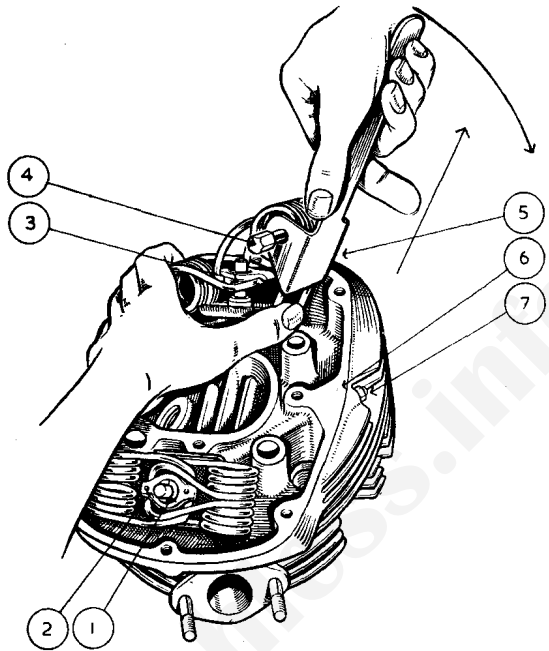


Illustration 8
**Showing application of
 valve spring compressor**

- | | |
|--|---|
| 1 COLLET, FOR VALVE. | 5 VALVE SPRING COMPRESSOR TOOL |
| 2 COLLAR, FOR VALVE SPRING. | 6 OIL PASSAGE FROM ROCKER BOX TO INLET VALVE GUIDE. |
| 3 COLLAR, FOR VALVE SPRING. | 7 SCREW WITH LOCK NUT ADJUSTING OIL FEED TO INLET VALVE. |
| 4 BOLT THROUGH TOOL AND COILS OF VALVE SPRING | |

NOTE—The special valve spring compressor tool is not part of the standard tool kit but can be obtained from any of our dealers (Part No. 018276.)

It is essential that the collets are correctly located on the valve stems. It will be observed that the collet has two grooves machined in the bore and those two grooves must register with the two rings on the valve stem. If fitted so that only one of the grooves engages the ringed valve stem, damage will almost certainly result.

On 350 c.c. the inlet valve head is larger in diameter than the exhaust. Therefore unintended interchange is not possible.

On 500 c.c. both valve heads are identical in dimensions but are made of different materials. Therefore, upon removal, valves should be laid aside so that they may be identified for re-fitting. In case of doubt, see marking "In" or "Ex" on stem adjacent to collet grooves.

SPARES LIST EDITION CL-29 PRICE **2/6**
 IS THE APPROPRIATE LIST FOR THIS SERVICE MANUAL

REMOVING CARBON DEPOSIT

Do not use a sharp implement for removing carbon deposit from the interior of the cylinder head and the piston crown. A blunt piece of soft brass will be found quite suitable and the use of such will obviate the risk of making deep scratches. Care is necessary to avoid damaging the valve seatings and in no circumstances should any abrasive material, such as emery, or emery cloth, be used for cleaning and polishing.

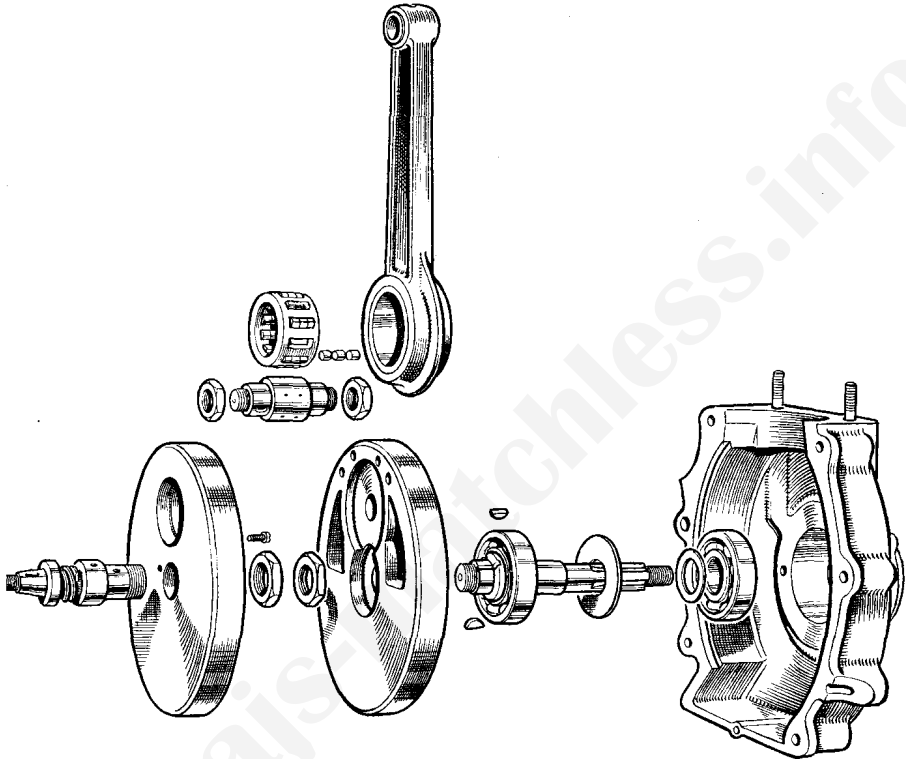


Illustration 9

Showing flywheel in exploded form

VALVE GRINDING

Before commencing valve grinding, carefully examine the face of each valve and, if found to be deeply pitted, have them refaced. (Most garages have suitable equipment for that purpose.) Any attempt to remove deep pit marks by grinding will inevitably cause undue and undesirable widening of the seats.

As a rule, inlet valves require very little attention and one light application of fine grinding paste should be sufficient to restore an even matt finish to both valve face and seat. The exhaust valves may require two, or even three, applications but, as already mentioned, excessive grinding is both unnecessary and harmful.

The grinding is accomplished by smearing a thin layer of fine grinding paste (obtainable ready for use at any garage) on the valve face and then, after inserting the valve in the head, partially revolve, forwards and backwards, while applying light finger pressure to the head, raising the valve off its seat and turning to another position after every few movements. (Never revolve the valve continuously in one direction.)

When the abrasive ceases to bite, remove the valve and examine its face.

The grinding may be considered to be satisfactorily completed when a continuous matt ring is observed on both valve face and seat.

After grinding, all traces of abrasive must be carefully washed off with petrol and a piece of rag, moistened in petrol, should be pulled through the bore of each valve guide to remove any abrasive that may have entered.

A holder for the valve, when grinding in the valve, can be supplied. The part number is 017482.

TO REPLACE THE CYLINDER HEAD

A gasket is fitted between cylinder head and barrel. (*Touring models only*).

The top ends of the push rod cover tubes have rubber gaskets between tubes and head, they are a push fit and metal washers are located between the top edges of the gaskets and the cylinder head recesses. If the cover tubes are pulled away from the head, the gaskets will probably remain in position in the head.

A rubber gland is fitted at the bottom of each cover tube.

Replace the cylinder head by :

Carefully clean the top edge of the cylinder barrel and the under face of the cylinder head.

Fit the cover tubes, with their rubber gaskets and metal washers, into the cylinder head.

Place the cylinder head gasket in position on the top edge of the cylinder barrel.

Place a rubber gland round each tappet guide

Place the cylinder head in position.

Ensure each cylinder head securing bolt has a plain steel washer on it and then replace the bolts and engage each a few turns.

Finally, screw down the cylinder head securing bolts, in turn, bit by bit, until all are fully home.

Replace

The sparking plug, but before doing so it is desirable to coat thread with "Oil Dag" or graphite paste to prevent seizure upon next removal.

The rocker box, carburetter, exhaust system, and the petrol tank.

NOTE—If old gaskets are re-fitted they must be in an undamaged state otherwise new must be used.

Whether new or re-used, the gasket should be annealed just prior to fitting. This is done by heating to "blood red heat" and plunging into clean cold water.

TO REMOVE THE CYLINDER BARREL AND PISTON

Remove

The cylinder head.

The four nuts retaining cylinder barrel to crankcase.

Take away

Cylinder barrel. (Ensure piston is not damaged in doing this. Steady piston with hand as barrel is withdrawn.)

Fill throat of crankcase with clean rag to prevent entry of foreign matter.

Remove

One gudgeon pin circlip. It is immaterial which circlip is removed. Use special pliers included in tool kit.

Gudgeon pin by pushing it out of piston.

Take away piston.

NOTE—The gudgeon is an easy sliding fit in both piston and connecting rod small-end bush.

Rings may be removed from a piston by "peeling off" with a knife, or by introducing behind the rings three pieces of thin steel spaced at 120° from each other and then sliding off the rings. (Do not scratch the piston.)

TO REPLACE THE PISTON AND CYLINDER BARREL

All parts must be clean.

Place rings on piston, scraper first then the two compression rings. On all models the top compression ring is chromium plated.

These chrome plated rings have a slightly tapered exterior and when new are clearly marked with the word TOP on one side to indicate assembly position. After use this word tends to become indiscernable, but over a large mileage the assembly position can be determined by brightness of the edge contacting cylinder wall. This bright edge is the lower one. When as the result of wear, contact with the cylinder wall appears uniform over the whole width of the ring, it is then immaterial which way round it is re-fitted.

Smear gudgeon pin with engine oil.

Refit piston by :

Introduce piston over connecting rod, so that slit in piston faces to the front of the machine.

Introduce gudgeon pin in piston and pass it through connecting rod small-end bush and centralise it.

Re-fit circlips. (Use special pliers). Use rotary action when bedding circlips in their grooves and make sure each circlip lies snugly in its groove. This is **essential** otherwise considerable damage will result.

Re-fit cylinder barrel by :

Take new cylinder base washer. Coat one side with liquid jointing compound and apply it to cylinder base. Ensure jointing does not choke any of the cylinder base oil holes.

Smear cylinder bore and piston with clean engine oil.

Space piston rings so that the gaps are evenly spaced at 120° to each other.

Gently fit barrel over piston and carefully compress each ring in turn, with the fingers, as it enters the chamfered mouth of the barrel.

Remove rag from crankcase throat.

Replace cylinder barrel holding down nuts, screwing each down, in turn, bit by bit, till all are fully home.

CAM CONTOUR

On the flanks of the cams are quietening curves which are very slight inclines from the base circles to the feet of the humps.

Therefore, It is necessary to ensure the tappet ends are on the base circles when checking valve clearances and valve timing.

It is for this reason valve clearances must be checked when the piston is at the top of its compression stroke, at which position both tappets are well clear of the quietening curves.

VALVE TIMING taken with valve .001" off its seat

Inlet valve timing

Inlet valve opens 36° before top dead centre—350 c.c. models.

Inlet valve opens 18° before top dead centre—500 c.c. models.

Inlet valve closes 51° after bottom dead centre—350 c.c. models.

Inlet valve closes 69° after bottom dead centre—500 c.c. models.

Exhaust valve timing

Exhaust valve opens 50° before bottom dead centre—All models.

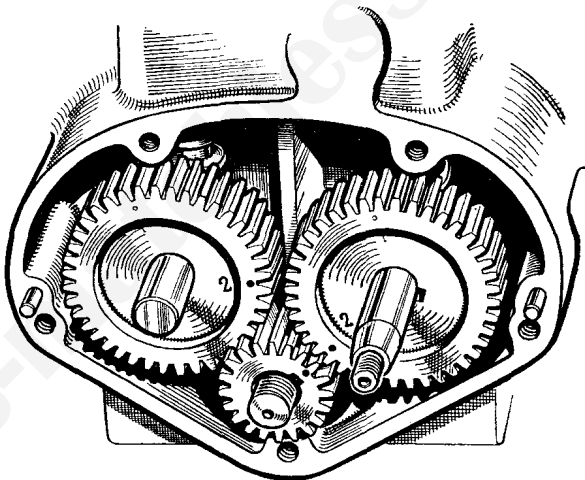
Exhaust valve closes 30° after top dead centre—All models.

(See page 89 for particulars of special timing disc graduated in degrees.)

Illustration 10

Camshaft timing marks

Use mark 2 for
exhaust cam—all models,
mark 2 for inlet cam 500 c.c.
and mark 3 for inlet cam on
350 c.c. models only.



When checking the valve timing the tappet clearances must be set to .014 inch so that the tappets may be well clear of the quietening curves of the camshafts.

The timing gears are marked to facilitate their replacement.

To re-set the valve timing, by using the marks on the gears, proceed as follows :—

Turn over the engine till the mark on the small timing pinion is in line with the centre of the Inlet (rear) camshaft bush. Insert the inlet camshaft so that the No. 2 or No. 3 mark on it is in mesh with the mark on the small timing pinion, according to model.

Rotate the engine in a **forward** direction till the mark on the small timing pinion is in line with the centre of the exhaust (front) camshaft bush. Insert the exhaust camshaft so that the No. 2 mark on it is in mesh with the mark on the small timing pinion.

TAPPET ADJUSTMENT

The top ends of the two long push rods have screwed extensions. These are locked in position by nuts, thereby providing tappet adjustment.

The correct tappet clearances, on all models, with valves closed and engine warm (not hot) is **NIL**. This means the push rods should be free enough to revolve and, at the same time, there should be no appreciable up and down play.

Prepare to adjust tappets by :

Set piston to T.D.C. (Both valves closed).

Remove the three nuts, and fibre washers under them, retaining tappet cover to rocker box.

Take away cover.

Adjust tappets on all 350 and 500 models by :

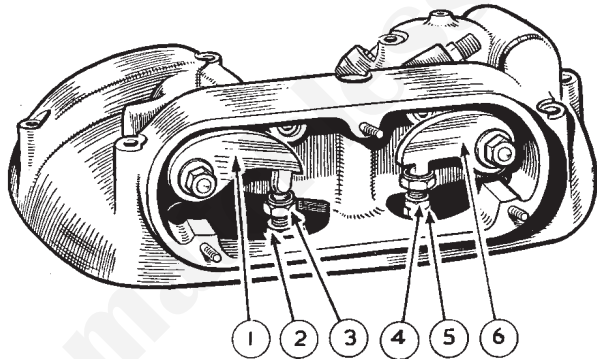
With spanners, hold the sleeve 5, either valve (Illustration 11) and slacken lock nut 2. Then screw, in or out, the head 3 until the clearance is nil.

Tighten lock nut 2 and re-check the clearance.

Treat other valve in like manner.

Illustration 11

Tappet adjustment



Finally

Check adjustments so that, with no up and down movement, the long push rods are free to revolve when the valves are closed.

- | | |
|--|--|
| 1. INLET ROCKER ARM (TAPPET END). | 4. CUPPED ADJUSTING SCREW AND LOCK NUT. |
| 2. NUT, LOCKING ADJUSTING CUPPED SCREW | 5. SLEEVE, TO ACCOMMODATE ADJUSTING SCREW, ON TOP END OF PUSH ROD. |
| 3. CUPPED ADJUSTING SCREW. | 6. EXHAUST ROCKER ARM (TAPPET END). |

Complete adjustment by :

Replace rocker tappet cover taking care to replace the fibre washer that is under each retaining nut.

As mentioned elsewhere do not over-tighten the nuts because the joint is made with a rubber fillet and undue pressure is not necessary.

NOTE—In normal conditions tappet adjustment should not be necessary more frequently than about every five thousand miles or after decarbonising and grinding valves. If adjustment is found necessary more frequently the cause should be investigated at once.

The tappet rods are made of Light Alloy, and in manufacture, the sleeve marked 5 in illustration 11 is fitted to the bare rod and then the push sleeve and the rod are threaded to take the adjusting screw marked 3.

It will consequently be seen that, contrary to the practice when steel rods are used, it is not possible to supply and fit sleeve 5 to an existing Light Alloy rod.

Consequently the " Push Rod, bare " will only be supplied for spares purposes complete with sleeve 5 already fitted and threaded.

TO RE-TIME THE IGNITION

The normal advance is 37° ($\frac{7}{16}$ " max permissible 39° ($\frac{1}{2}$ ").

Have available a stout screwdriver, or an old type tyre lever with turned up end, also a small rod or stout wheel spoke $5\frac{1}{2}$ " long.

Before setting the ignition firing point it is essential the magneto contact breaker points are correctly adjusted. Therefore always check these first.

Check contact breaker points by :

Remove contact breaker cover.

Check setting of contact breaker points, and, if necessary, re-set same.

Set ignition firing point by :

Remove :—

The sparking plug high tension cable from plug.

The sparking plug.

The magneto chain case cover.

The rocker box side cover.

Unscrew, several turns, nut retaining magneto sprocket to camshaft. (No need to remove nut).

Lever off sprocket until it is loose on the taper of the shaft. (Use stout screw-driver or old type tyre lever.)

Turn over engine till both valves are closed.

Insert rod through sparking plug hole, feel piston, by rocking engine forwards or backwards till it is felt the piston is at the top of its stroke with both valves closed.

Mark rod flush with top face of sparking plug hole. Remove rod and measure v " above the flush mark and record position on rod.

On 350 c.c. models place the handlebar ignition control lever in the fully advanced position.

On 500 c.c. models turn the front plate of the automatic unit with the fingers and thumb to its limit of movement and insert a wood wedge to hold the control in the fully advanced position.

Replace rod in sparking plug hole.

Slightly rotate engine **BACKWARDS** until upper mark on rod is flush with top face of sparking plug hole. (To rotate engine, engage top gear and turn back wheel by hand.) Rotate sprocket on magneto armature shaft, in anti-clockwise direction (as seen from sprocket end of magneto), till the contact breaker points are just about to separate. (To find the exact moment for the commencement of the point separation, place a piece of tissue paper between the points and turn the armature shaft (by the sprocket on it) until the paper is just released, and no more, upon a gentle pull.)

Tighten nut on camshaft and ensure engine, and/or magneto shaft, does not move in doing so.

Re-check the setting which must be $\frac{7}{16}$ " before top dead centre. (With the ignition fully advanced.)

Do not omit to remove the wood wedge securing the automatic unit on 500 c.c. models in the fully advanced position before refitting the chain cover.

See page 89 for particulars of special timing disc graduated in degrees.

Replace

Rocker box side cover, Contact breaker cover, Magneto chain case cover, Sparking plug (see note on page 36 re graphite on sparking plug thread), and Sparking plug wire.

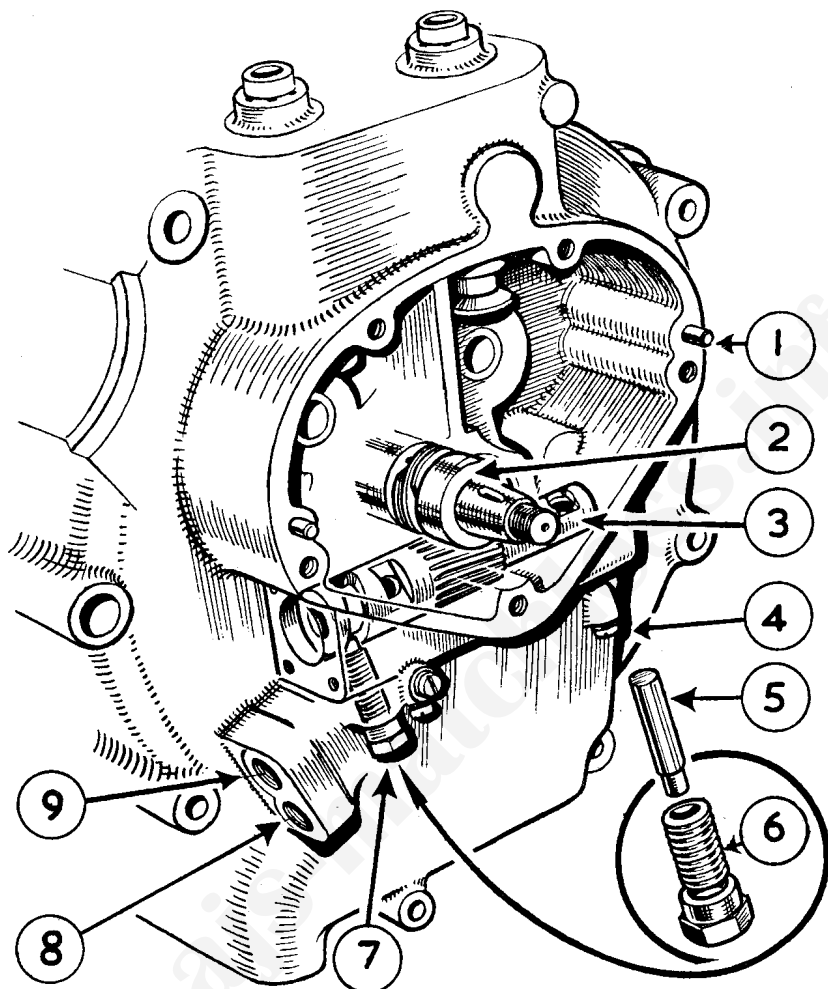


Illustration 12

The rotating oil pump plunger is here shown in situ, together with the guide screw which registers in the plunger profiled groove, thereby providing the reciprocating movement

- | | |
|--|--|
| <p>1 DOWEL PEG, LOCATING TIMING GEAR COVER.</p> <p>2 TIMING SIDE FLYWHEEL AXLE WITH INTEGRAL GEAR FOR DRIVING OIL PUMP PLUNGER.</p> <p>3 OIL PUMP PLUNGER.</p> <p>4 SCREW (ONE OF THREE) WITH FIBRE WASHER, PLUGGING OIL PASSAGES CAST IN CRANKCASE.</p> <p>5 GUIDE PIN, FOR OIL PUMP PLUNGER.</p> | <p>6 SCREWED BODY TO ACCOMMODATE THE OIL PUMP PLUNGER GUIDE PIN.</p> <p>7 BODY, WITH GUIDE PIN IN POSITION ENGAGED IN PROFILED CAM GROOVE OF OIL PUMP PLUNGER.</p> <p>8 TAPPED HOLE, FOR PIPE FEEDING OIL TO OIL PUMP.</p> <p>9 TAPPED HOLE, FOR PIPE RETURNING OIL TO OIL TANK.</p> |
|--|--|

TO REMOVE AND REPLACE THE OIL PUMP PLUNGER

Remove

Lower end of rocker box oil feed pipe by unscrewing union nut.

Both oil pump end caps.

Oil pump plunger guide screw with pin. (See illustration 12.)

Oil pump plunger, by pushing at front and extracting from rear end of its housing.

Replace by :

Reversing above procedure.

NOTE—Remember there is a paper washer under each oil pump end cap and, when fitting a new paper washer to the front cap, ensure the oil passage in the front cap is not obstructed by the paper washer.

Important

Make certain that the guide screw pin is correctly located in its groove (cut in the plunger) before tightening down. NOTE :—The guide screw pin is inserted in the screw relieved end first. Do not revolve the engine until quite certain that the guide screw pin is properly located, otherwise damage is inevitable.

OVERSIZE PARTS AND RE-BORING CYLINDER BARREL

Pistons and rings, .020" and .040" larger than standard, are available. These degrees of oversize make it essential for the cylinder barrel to be re-bored to accommodate them. We can provide that service at prices quoted in the Spares List.

On the 350 c.c. the cylinder standard bore is $2.7187 \pm .0005$ ". The 500 c.c. cylinder standard bore is $3.250 \pm .0005$ ".

When the wear at the top of the barrel reaches .008" the barrel should be bored out .020" oversize and a new oversize piston and rings fitted.

Crankpin rollers .001" larger than standard can be supplied. We recommend only skilled mechanics should fit these because it is almost general that the big-end journals and sleeves require "lapping" to ensure a correct fit.

REMOVING SPARKING PLUG

Always exercise the greatest care to avoid thread seizure when removing a sparking plug. If any resistance is felt, apply paraffin. Before replacing plug, it is desirable to coat the thread with "Oil Dag" or Graphite paste. This will guard against seizure upon subsequent removal.

WHEN IN DOUBT REGARDING THE NAMES AND PART NUMBERS OF THE PARTS YOU REQUIRE, PLEASE SEND THE OLD PARTS TO SERVE AS PATTERNS.

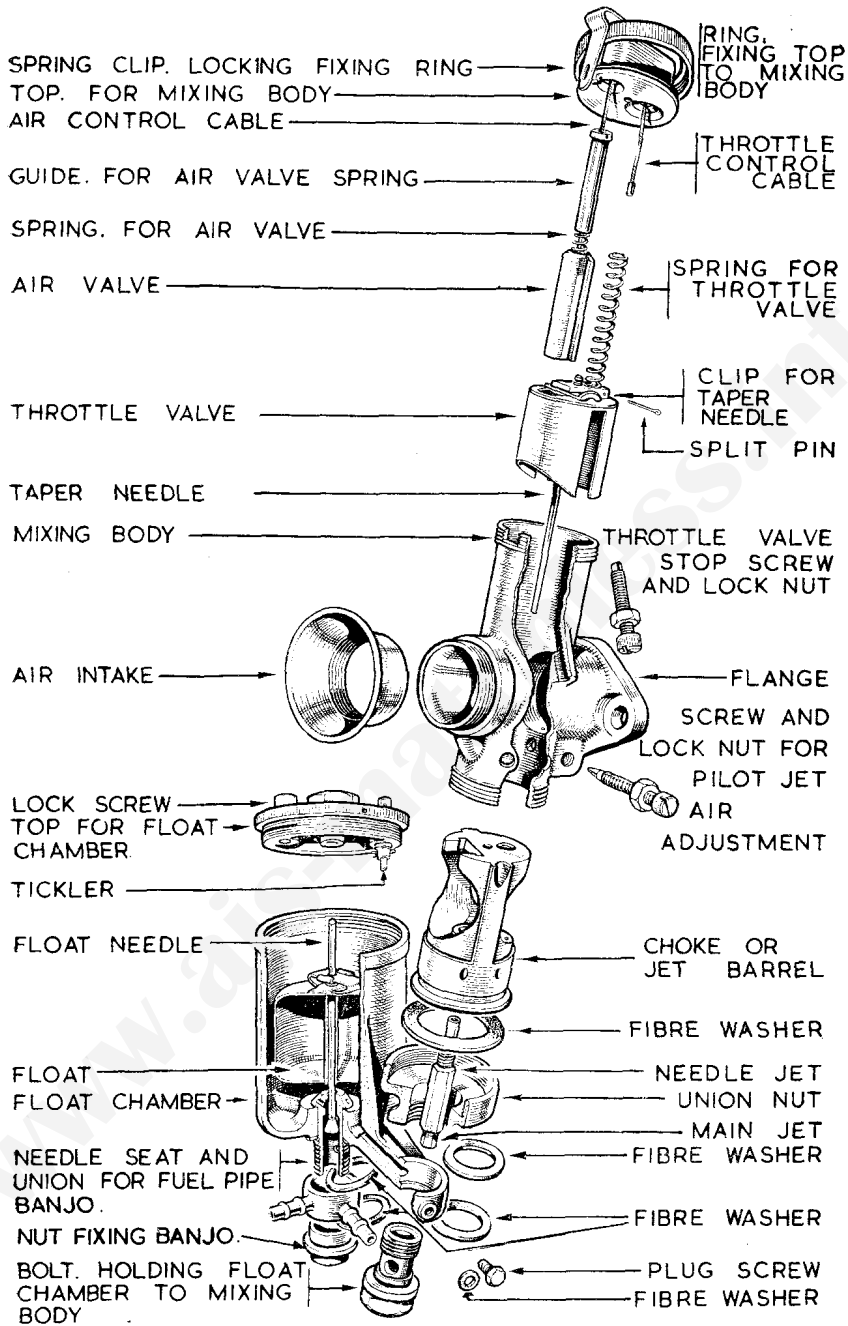


Illustration 13

Carburettor details in assembly order.

CARBURETTER SERVICE

The information given in this section includes all that will normally be required by the average rider. For further details, particularly those connected with racing and the use of special fuels, we refer the enquirer to the manufacturers of the carburetter, **Amal Ltd., Holford Road, Witton, Birmingham, 6.**

Our Spare Parts Department does not stock every part of the carburetter but confines its stock to those parts that, from time to time, may need replacement as the result of wear. Those parts include floats and float needles, jet taperneedles, needle jets and washers.

CARBURETTER FUNCTION

The petrol level is maintained by a float and needle valve and, in no circumstances, should any alteration be made to this. In the event of a leaky float, or a worn needle valve, the part should be replaced with new. (Do not attempt to grind a needle to its seat.)

The petrol supply to the engine is controlled, firstly, by the main jet and, secondly, by means of a taper needle (see Illustration 13) which is attached to the throttle valve and operates in a tubular extension of the main jet.

The main jet controls the mixture from three-quarters to full throttle, the adjustable taper needle from three-quarters down to one-quarter throttle, the cut-away portion of the intake side of the throttle valve from one-quarter down to about one-eighth throttle, and a pilot jet, having an independently adjusted air supply, takes care of the idling from one-eighth throttle down to the almost closed position. These various stages of control must be kept in mind when any adjustment is contemplated. (See Illustration 13, for location of the pilot jet air adjustment screw.) The pilot jet consists of a small hole drilled in the choke, or jet block.

The size of the main jet should not be altered save for some very good reason. See " DATA " for details of standard sizes of jet, throttle valve, and jet taper needle. With the standard setting it is possible to use nearly full air in all conditions, except, perhaps, when the engine is pulling hard up hill or is on full throttle, when some benefit may be obtained by slightly closing the air control.

Weak mixture is always indicated by popping, or spitting, at the air intake.

A rich mixture usually causes bumpy, or jerky, running and, in cases of extreme richness, is accompanied by the emission of black smoke from the exhaust.

CARBURETTER ADJUSTMENT

To ascertain if the setting is correct (350 c.c. models only), a rough test is to warm up the engine and, with the ignition fully retarded and the air about three-quarters open, gradually open the throttle to full open, during which the engine should respond without a misfire, but, upon a sudden opening of the throttle, it should splutter and stop. (The engine should not be run for more than a few seconds with the ignition fully retarded.)

NOTE—On 500 c.c. models the ignition is automatically retarded at low engine revs.

To check the setting of the pilot jet and its air control, warm up the engine, then, with the ignition about one-third retarded and the air about three-quarters open, the engine should idle positively and evenly when the throttle is almost closed. If it fails to do so, adjust the pilot jet air screw inwards, or outwards, until even firing is obtained. (The pilot jet air screw is at the base of the mixing chamber and its position is locked by a nut.) This adjustment is not unduly sensitive, and it should be possible to obtain the correct adjustment in a few seconds. In the event of the adjustment of the air screw failing to provide the required result it is possible the pilot jet is obstructed with dirt. The pilot jet is actually a passage drilled in the sprayer base, or choke, and is very small, so there is always latent danger of this becoming choked.

Upon removing the float chamber and the large nut at the bottom of the mixing chamber, the sprayer base can be pushed out of the mixing chamber and the jet can be cleared by using a strand of fine wire.

Before concluding that incorrect carburation is responsible for heavy petrol consumption, and before carrying out any of the tests and adjustments described above, it is most important to make sure the ignition is set correctly. Late ignition usually causes a great increase in petrol consumption.

TWIST GRIP ADJUSTMENT

A screw is provided in one of the halves of the twist grip body to regulate the spring tension on the grip rotating sleeve. This screw, which is locked by a nut, must be screwed into the body to increase the tension.

The most desirable state of adjustment is that when the grip is quite free and easy to operate but, at the same time, will stay in the position in which it is placed.

The complete twist grip can be moved on the handlebar by slackening the two screws that clamp together the two halves of the body. The most desirable position is that in which the throttle cable makes the cleanest and most straight path to the under-side of the petrol tank.

Smooth throttle operation is assured by the provision of a cable oil nipple. At the first signs of jerky action a little engine oil should be injected, applying the gun as near vertical as possible (nozzle downward).

AIR FILTER

In locations, such as the United Kingdom, where the roads and atmosphere are particularly free from dust, it is not considered necessary to have an air filter fitted to the carburetter, but in countries where the atmosphere contains a very heavy dust content, an air filter is essential in order to prevent abrasive wear.

The filter available (optional extra) for the conditions mentioned above is of the "Oil Wetted" type, and this requires periodical servicing.

When servicing the air filter, withdraw the filter element. Thoroughly wash this in petrol, paraffin or other suitable solvent and allow to dry. Then re-oil, using one of the light oils (SAE-20), enumerated in the final table on page 14, and allow to drain before replacing in the filter case. Clean regularly at intervals of 1,000 miles, and renew the element every 10,000 miles.

CARBURETTER TUNING INFORMATION

Poor idling may be due to :

Pilot jet not operating correctly.

Air leaks. Either at junction of carburetter and inlet port, or by reason of badly worn inlet valve stem or guide.

Faulty engine valve seatings.

Sparking plug faulty, or its points set too closely.

Ignition advanced too much.

Contact breaker points dirty, pitted, loose, or set too closely.

High-tension wire defective.

Rockers adjusted too closely.

Heavy petrol consumption may be due to :

Late ignition setting.

Bad air leaks. Probably at carburetter joint.

Weakened valve springs.

Leaky float. (Causing flooding.)

Taper needle extension insufficient.

Poor compression, due to worn piston rings or defective valve seatings. (Test compression with throttle wide open.)

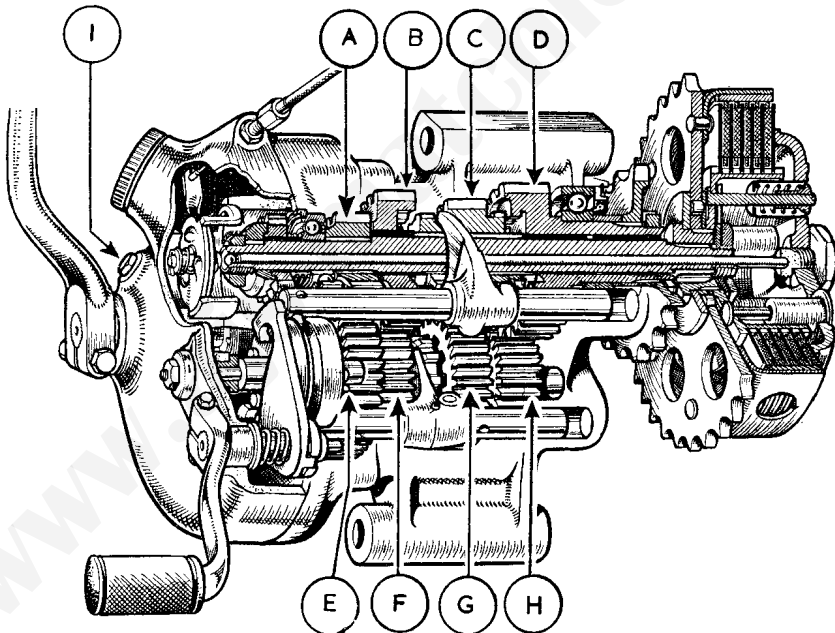


Illustration 14

A. LOW GEAR ON MAINSHAFT

B. THIRD GEAR ON MAINSHAFT

C. SECOND GEAR ON MAINSHAFT

D. MAIN DRIVING GEAR

E. LOW GEAR ON LAYSHAFT

F. THIRD GEAR ON LAYSHAFT

G. SECOND GEAR ON LAYSHAFT

H. SMALL PINION ON LAYSHAFT

I. OIL LEVEL PLUG

Section through gearbox showing gears and clutch with actuating mechanism

TRANSMISSION SERVICE

THE GEAR BOX

The gear box provides four speeds and has a positive foot change, operated by the right foot and a kick-starter.

It is retained to the frame by being clamped between the two engine rear plates by two bolts. The bottom fixing bolt acts as a pivot. The top fixing bolt passes through the gear box top lug and the rear plates, which are slotted, thereby allowing a swinging fore and aft movement of the gear box to enable the front driving chain to be adjusted. That movement is controlled by a bolt that has an eye encircling the gear box top fixing bolt and which passes through an eye block secured to the right-hand side engine rear plate. Two nuts threaded on the eye bolt, one on each side of the eye block, provide means of accurately tensioning the front chain and, after that adjustment, locking the eye bolt in its required position.

Illustration 14 clearly shows the general internal gearbox layout, the simple gear selection and kickstarter mechanism. It will be seen that movement of the foot change lever causes movement of the cam barrel through the medium of an ingenious trip fork to which the lever is attached.

This cam movement actuates the sliding gear striker forks causing movement of the sliding gears which engage the stationary gears by dogs. As each gear is selected it is held in engagement by means of a spring loaded conical ended plunger operating in depressions on the end of the cam barrel.

The trip mechanism referred to allows the foot change lever to return to its normal position, upon foot pressure being released, in readiness for the next change of gear. Downward direction of movement causes engagement of higher gears and upward movement with the toes causes a lower gear to become engaged.

As mentioned elsewhere an external marked disc shows at a glance which gear (or neutral), is engaged.

The unusual method of clutch operation should be noted, the necessary thrust rod movement to free being obtained through the medium of three balls operating on inclined planes (see illustration 15).

Operation of the clutch handlebar lever moves clutch operating lever B causing inward movement of the thrust rod by reason of the three balls mounting the inclined planes in which they are located. The resulting inward movement of the clutch thrust rod forces out the pressure plate, normally maintained in contact with the friction plates by the springs E, thereby allowing the engine to drive the clutch sprocket D without imparting drive to the mainshaft C.

Consequently no power is transmitted to the rear wheel, the clutch is said to be "out" or "free." Upon releasing the clutch handlebar lever the clutch operating lever returns to its normal position by the pressure of the spring forcing the balls down these inclined planes thereby allowing the spring pressure through the medium of the pressure plate to be transferred to the friction plates which causes the gear box mainshaft to revolve and impart driving power to the rear wheel.

TO REMOVE KICKS-TARTER CASE COVER FOR EXPOSURE OF K.S., GEAR CHANGE AND INTERNAL CLUTCH ACTUATING MECHANISM

Remove oil drain plug and drain off oil contents of the gear box.

Remove the large oil filler plug and slack off the clutch cable adjuster sufficiently to permit the cable end to be detached from the slotted end of the internal clutch operating lever which is exposed by the removal of filler cap.

Unscrew the clutch cable adjuster until it is free from the K.S. case cover and withdraw the cable nipple through the adjuster hole.

Remove the nut and small spiral spring securing small gear indicator disc from the cam barrel spindle.

Next remove the five cheese head screws by which the K.S. case cover is secured to the gear box end plate.

Withdraw the cover about $\frac{1}{2}$ inch, holding the K.S. pedal firmly while doing so.

Now swing the K.S. crank round until it can be tied to the foot change lever. This prevents the K.S. return spring unwinding and facilitates re-assembly.

The entire cover can now be removed.

Re-assemble in exactly reverse order, taking care to avoid damage to the paper joint gasket.

NOTE—The position of the various cheese head screws securing the K.S. case cover are as follows :—

In the top position, screw measuring $3\frac{3}{8}$ inches under head.

In the bottom position, screw measuring $2\frac{7}{8}$ inches under head.

In the rear position, screw measuring $\frac{7}{8}$ inch under head.

In the front position, top screw measuring $1\frac{1}{8}$ inches under head.

In the front position, bottom screw measuring $1\frac{3}{8}$ inches under head.

TO REMOVE GEAR BOX END PLATE FOR EXAMINATION OF GEARS

Remove K.S. case cover as already described.

Remove split pin securing both gear striker shaft pins and withdraw the pins and also the cam barrel in which they operate together, with the spring loaded conical ended plunger which engages depressions on the underside of the cam barrel.

Remove the mainshaft end nut and draw off the K.S. ratchet driver, pinion, spring and bush upon which the pinion is mounted.

Remove the three cheese head screws by which the end plate is secured to the gear box shell and the end plate is then free to be withdrawn leaving the gears and gear striker shafts in situ.

Take care to avoid losing the steel ball fitted in the end of the mainshaft and interposed between the clutch actuating lever and the clutch thrust rod.

To Re-assemble

If gears have been disturbed insert them in their proper order with slider shafts in correct location and apply end plate with paper joint gasket in position.

Re-fit the three cheese head screws and firmly tighten down with a stout screwdriver.

Then insert conical ended plunger and spring and apply the gear selection cam barrel with any one of the depressions on its underside engaging with the conical end of the spring loaded plunger.

Next insert the selector shaft pins and secure each in position with its split pin.

Complete the assembly in reverse order of dismantling ascertaining, before applying the K.S. case cover, that the ball is inserted in the end of the mainshaft.

Fill to correct level with one of the recommended oils and lastly re-fit the gear indicator disc and adjust its position to give correct indication of gears.

TO REMOVE FRONT CHAINCASE AND CLUTCH ASSEMBLY

To remove outer half of front chaincase

Place tray under chaincase to catch oil.

Remove left side footrest arm.

Remove screw binding chaincase metal band at its rear.

Remove metal band.

Remove endless rubber band.

Remove nut and washer, in centre of chaincase front.

Take away outer half of chaincase.

To remove front driving chain and clutch assembly complete

Engage top gear, apply rear brake, and unscrew engine sprocket nut.

Unscrew the nuts retaining the clutch springs, using end of spanner Part No. 017254.

Take away the clutch spring pressure plate with the clutch springs and clutch spring cups and flatten the turned up part of the lock plate that is under the large central nut.

Remove front chain connecting link and take away chain.

Engage top gear, apply rear brake, and unscrew nut retaining the clutch centre to the gear box mainshaft sleeve.

Remove the lockplate and plain washer from gear box mainshaft.

Remove complete clutch assembly by pulling it away, as one unit from gear box mainshaft.

Take care not to lose any of the twenty-four clutch sprocket bearing rollers which **may** be displaced when the clutch centre and sprocket assembly is withdrawn from the mainshaft. The clutch centre is a sliding fit on the mainshaft sleeve and an extractor should not be required.

To remove dynamo chain and back half of chaincase

Remove the spring lock ring on dynamo sprocket retaining nut.

Take away lock washer surrounding dynamo sprocket nut.

Apply spanner (017254, included in tool kit) to the two flats on the back of the dynamo sprocket and, holding same, unscrew the nut retaining the dynamo sprocket. Holding sprocket thus relieves the dynamo shaft of bending strain.

Release dynamo sprocket with suitable extractor.

Take away, as one assembly, the dynamo sprocket, dynamo chain and engine shock absorber assembly. (The dynamo chain is "endless.")

Straighten tabs on lock washers under the three bolts retaining the back half of chaincase to the boss on the crankcase and remove the three bolts.

Remove the long headed bolt (under battery carrier) fixing rear chain guard to front chaincase.

Remove wide nut and washer on centre fixing bolt, when back half of chaincase can be taken away.

TO RE-FIT THE FRONT CHAINCASE AND CLUTCH

Fit back half of front chaincase by :

Place on face of crankcase boss and back face of chaincase some liquid jointing compound, "Wellseal recommended."

Ensure the spacer is in position on the centre fixing bolt. This is located between the engine plate and the chaincase. (It is 1-13/32" long.)

Place in position rear half of front chaincase.

Fit long headed bolt, holding rear chain guard to front chaincase, but do not fully tighten.

Fit to crankcase boss the three lock washers and bolts retaining case to boss.

Fully tighten the three bolts and turn up the tabs of the three lock washers.

Fit spacer nut (inside chaincase, 7/8" long) and washer to the centre fixing bolt and fully tighten.

Fully tighten long headed bolt holding rear chain guard to front chaincase.

Fit dynamo sprocket and chain and engine shock absorber by :

Ensure dynamo sprocket key is in position (in dynamo armature shaft.)

Ensure the spacing collar, which fits between crankcase ball bearing and the back of the engine sprocket, is in position on the driving side flywheel axle.

Take dynamo driving chain and place it round the small sprocket of the engine sprocket assembly and the sprocket that fits on the dynamo shaft and fit these three parts, in one movement, to the driving side flywheel axle and the dynamo shaft.

Fit the dynamo shaft plain washer and sprocket retaining nut, screwing nut with fingers only.

Hold the dynamo sprocket by applying spanner 017254 to the flats on the back of the sprocket and fully tighten the sprocket retaining nut. (This holding relieves the dynamo shaft of all bending and twisting strains while the sprocket retaining nut is being securely lightened.)

Fit the dynamo sprocket retaining nut lock washer and lock ring. Ensure the lock ring lies snugly in the groove cut in the nut.

Fit engine shock absorber cam, spring, cap washer and retaining nut but do not fully tighten nut.

Fit the clutch centre and sprocket by :

Place on the gear box main shaft splined sleeve the thicker of the two clutch sprocket roller bearing retaining washers.

Place on the gear box main shaft splined sleeve the clutch sprocket roller bearing ring.

With grease, stick in place on the bearing ring the twenty-four clutch sprocket bearing rollers.

Introduce clutch sprocket over the rollers.

Place on the gear box main shaft splined sleeve the thin clutch bearing retaining washer.

Push on the splined sleeve the clutch centre hub.

Fit the plain washer, lock plate and nut that retains the clutch centre but do not fully tighten the nut.

Fit the front chain and lock the clutch centre nut by

Replace the front driving chain. Ensure the spring connecting link is fitted so that the closed end of the spring clip faces the direction of rotation.

Engage top gear, apply the rear brake and then fully tighten the nut that retains the clutch centre to the gear box mainshaft.

Turn up the edge of the lock plate so that it tightly abuts against a flat of the nut.

Fit the clutch plates and springs by

Slide into position, in the clutch case attached to the clutch sprocket, a steel plain clutch plate.

Slide into place a clutch friction plate (plate with fabric inserts) and follow with a steel plain plate, then another friction plate and so on, alternatively, till all plates are fitted. (Five plain plates and four friction plates on 350 c.c. ; six plain, and five friction on 500 c.c. and all competition models.)

Drop into the spring pressure plate the clutch spring cups.

Show up the spring pressure plate and insert over the studs the clutch springs, retaining each one a few turns, as fitted, with a clutch spring adjusting nut.

Fully tighten the clutch spring adjusting nuts, using end of spanner Part No. 017254.

Slacken back, four complete turns, each clutch spring adjusting nut.

Engage top gear, apply rear brake and then fully tighten the engine shock absorber retaining nut.

Check front driving chain for adjustment.

Check dynamo driving chain for adjustment.

Check clutch operating lever for correct free movement as detailed elsewhere.

Fit outer half of front chaincase by

Ensure faces of both halves of chaincase are clean.

Ensure the rubber and metal bands are clean and undamaged.

After carefully positioning the outer half so that its exterior edge exactly coincides with that of the inner half, apply the endless rubber band.-

Fit the metal band, starting at the front end of the chaincase and drawing together the two free ends with the fingers of one hand while with the other hand insert the binding screw.

Whilst slowly tightening this binding screw apply at the same time light taps all round the band exterior using a small rubber mallet.,

These light taps will cause the metal band to creep on the rubber to ensure an even all round pressure, and make an astounding difference in the extent to which the binding screw can be tightened down.

Replace footrest arm and exhaust pipe with silencer.

Remove the inspection cap from the chaincase and pour in engine oil to the level of the bottom edge of the inspection cap orifice and then replace the cap.

NOTE—If, after replacing a front chaincase, it is found not to be oil tight, the general reason is distortion of the two joint faces or incorrect position of rubber band. These faces must be undamaged and, on test, should closely fit to a surface plate. They must also be absolutely clean before replacement and the edges must be in exact register, one with the other. Any distortion caused by accidental impact must be remedied before refitting.

If any doubt exists, **CHECK for DISTORTION BEFORE ASSEMBLY.**

CLUTCH SPRING ADJUSTMENT

If clutch slip occurs the most probable cause is either incorrect cable adjustment or absence of free movement of the internal clutch lever. If both are found to be correct the clutch spring adjusting nuts may require adjustment.

To obtain access to clutch spring adjusting nuts, remove the domed clutch cover (secured by eight screws.)

With the slotted driver provided on one of the thin spanners in the tool kit, screw each nut, in turn, fully home, then unscrew exactly four complete turns.

Before replacing the domed clutch cover, test for slip by starting up the engine, engaging top gear, and applying the rear brake when it should be possible to pull up the engine on full throttle without slip occurring.

If to cure slip it is found necessary to further tighten the adjusting nuts this is a clear indication that either the clutch springs have lost their tension, the inserts are so worn that they require renewal or that they have become impregnated with oil.

In the two former instances renewals are necessary, but if oil is the cause of slip this may be rectified by soaking the plates in petrol and allowing to dry off. If inserts are glazed roughen with sand paper.

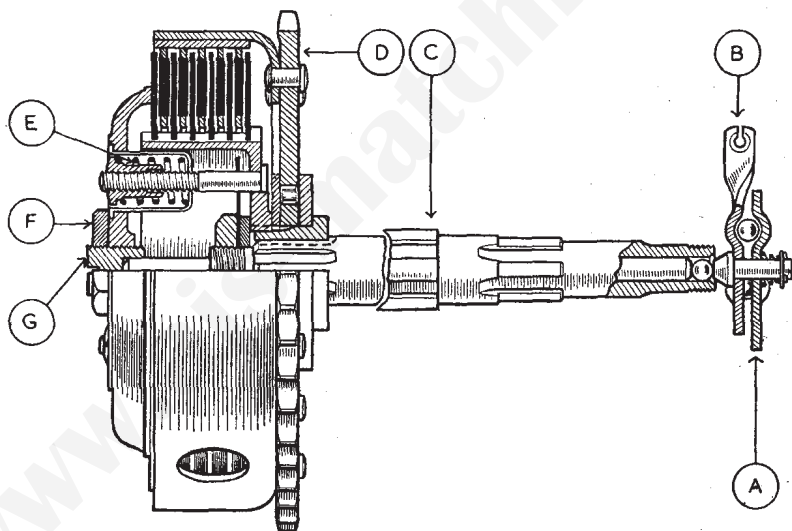


Illustration 15

- | | | | |
|---|---------------------------------------|---|--|
| A | FIXED CLUTCH INTERNAL ACTUATING PLATE | E | CLUTCH SPRING |
| B | CLUTCH INTERNAL OPERATING LEVER | F | LOCK NUT FOR CLUTCH ROD THRUST CUP |
| C | GEAR BOX MAINSHAFT | G | THRUST CUP (in duth pressure plate) FOR CLUTCH ROD |
| D | CLUTCH SPROCKET | | |

Showing clutch, gear box main shaft and clutch operating mechanism

Correct adjustment of the clutch operating mechanism is of the utmost importance and the following instructions must be carefully observed.

Clutch cable stretch, which may develop at long intervals, is taken up by means of the adjuster provided at the gear box end of the cable, but when making this adjustment it is important that the normal movement of the internal lever is not encroached upon. The correct procedure is to remove the gear box oil filler plug which exposes the internal lever. The end of this lever to which the cable is attached must then be pressed backward with the finger or end of a screw driver and while thus held, all slack in the cable should be taken up by means of the adjuster.

Having done this, the amount of free movement of the internal lever at the end where the cable is attached must be carefully checked. This is best done by applying light backward pressure to the lever end, as already described, at the same time operating the handlebar lever. The correct free movement is $\frac{1}{8}$ to $\frac{3}{16}$ inch. It should be explained that the free movement is readily felt on the handlebar lever by reason of the greatly increased effort required as the clutch commences to disengage.

As the result of wear of the clutch plate fabric inserts, the plates tend to close up towards, each other. This closing up has the effect of reducing the free movement referred to. Clutch slip resulting from lack of free movement will rapidly ruin the inserts and may generate sufficient heat to soften the clutch springs. Therefore should clutch slip occur immediately examine for free movement of the internal operating lever.

To adjust this free movement it is necessary to remove the domed clutch cover (secured by eight screws) when the screwed adjusting plug fitted to the centre of the clutch pressure plate will be exposed. The lock nut securing this screwed adjusting plug is of sparking plug size and can therefore be loosened for adjustment, and subsequently securely tightened by means of the sparking plug box key provided in the tool kit.

Then, to check the free movement of the internal lever, apply backward pressure as described and observe the movement at the extreme end of the lever before resistance is felt. The correct amount of movement, as stated is $\frac{1}{8}$ to $\frac{3}{16}$ inch measured at the end of the operating lever.

A careful study of Illustrations 14 and 15 will help considerably in making the foregoing instructions readily understandable.

To remove a clutch control cable

Remove the oil filler cap from the kick-starter case cover.

Screw right home the clutch cable adjuster that is located in the top of the kick-starter case cover.

Disengage, from the operating lever, the clutch cable inner wire by operating through the oil filler cap opening.

Completely unscrew the clutch cable adjuster.

Disengage, from the handlebar operating control lever, the clutch inner wire.

Pull cable, by its lower end, till removed from the machine, easing it through the frame cable clips while doing so.

To replace a clutch control cable

Reverse the above instructions and, finally, adjust as detailed earlier.

FRONT CHAIN ADJUSTMENT

Tighten the front chain by :

Slacken : Nut on right-hand side of gear box top fixing bolt.

Forward nut on the adjusting eye-bolt. (Two or three turns.)

Remove inspection cap from front chaincase.

Screw up the rear nut on adjusting eye-bolt until, with the finger through the inspection cap orifice, it can be felt that the chain is dead tight. Then slack off the rear nut and carefully tighten the forward nut until the correct chain tension is obtained, after which securely tighten the rear nut to lock the assembly. (The correct chain whip is $\frac{3}{8}$ inch.) Check the adjustment in more than one position and adjust, as above, at tightest place. **It is important that these instructions to over-tighten and then slack back are carefully followed.**

Tighten nut on gear box top fixing bolt.

Replace chaincase inspection cap.

REAR CHAIN ADJUSTMENT (Spring Frame Models)

To provide rear chain adjustment the rear wheel is bodily moved in the rear frame fork ends which are open ended and slotted.

The rear wheel centre spindle has two cams attached to it. These cams abut against projections in each of the rear fork two slotted ends. The projection on the right-hand fork end is adjusted at the Factory and its position is locked by a nut. That adjustment is provided to ensure the rear wheel is positioned in line with the front wheel and, once it has been determined during assembly, there should be no necessity ever to alter it again.

The chainside cam has a hexagonal body to accommodate a spanner and is turned, forwards or backwards, to position the rear wheel so that the rear driving chain is correctly tensioned. (Both cams turn together.)

The correct chain tension is such that, when the machine is on the centre stand, finger pressure applied to the chain, midway between gear box sprocket and rear wheel sprocket, in an upward and downward direction, allows a total movement, up and down, of $1\frac{1}{8}$ ". The rear wheel should be rotated to several positions and tests made at each, because chains never wear evenly and there is usually one position where the chain is tighter than in any other. The adjustment of $1\frac{1}{8}$ " total whip should be set for the tightest position found.

(When off the stand, and with the rider on the saddle, this measurement is reduced to about $\frac{1}{2}$ " total whip, which is the correct adjustment when on the road.)

To adjust the rear chain

Place the machine on the centre stand.

Slacken nut to right of speedometer gear box.

Slacken exterior nut on left-hand end of rear wheel spindle.

Push forward the wheel so that both cams are in contact with the projections on the rear fork ends.

Apply adjustable wrench 017249 to hexagonal body of chainside cam, and, while maintaining a forward pressure on the wheel, to ensure contact of the two cams, turn, with the wrench, until the chain whip of $1\frac{1}{8}$ ", detailed above, is obtained. Then holding the wheel in that position, fully re-tighten the spindle exterior nut.

Finally, fully tighten the nut to the right of the speedometer gear box after being satisfied that the gear box is in such a position that no strain is being placed on the driving cable.

REAR CHAIN ADJUSTMENT (Rigid Frame Models)

To provide rear chain adjustment the rear wheel is bodily moved in the frame fork ends, which are open ended and slotted.

Tighten rear chain by :

Place machine on rear stand.

Slightly slacken nuts on rear wheel solid spindle (left side first).

Slacken nut on each chain adjusting bolt, two or three turns. (These bolts screw into forward end of each frame fork end.)

Screw, in turn, each chain adjusting bolt, further into the fork ends until the chain tension is correct. Each bolt must be turned the same amount. The chain whip should be $\frac{3}{8}$ " to $\frac{1}{2}$ ".

Check adjustment, in more than one position, by partly revolving the rear wheel.

Tighten wheel spindle nuts,

Re-check chain tension.

Tighten nuts on chain adjusting bolts.

NOTES ON REAR CHAIN ADJUSTMENT

Before tightening the rear chain, check the front chain adjustment, and, if attention is necessary, adjust the front chain first.

Altering the adjustment of the front chain upsets the adjustment of the rear chain. Therefore, after making a front chain adjustment, always check the rear chain adjustment and re-set if necessary.

Altering the adjustment of the rear chain may upset the adjustment of the rear brake. Therefore, after making a rear chain adjustment, always check the brake adjustment and re-set if necessary.

The whip of chains should always be tested mid-way between the two sprockets, and the sprockets should be turned and tests made in several positions. This is because chains never wear evenly, and there is usually one position where the chain is tighter than in any other. The adjustment should be set for the tightest position found.

Always re-check the chain tension after making it and tightening all bolts and nuts.

DYNAMO CHAIN ADJUSTMENT

The dynamo armature shaft is eccentric to the body of the dynamo. Therefore, by partially revolving the dynamo in its housing the distance between the two dynamo driving sprockets can be varied, thereby allowing latitude for chain adjustment.

Tighten dynamo chain by :

Remove inspection cap from front chaincase

Slacken dynamo clamping strap bolt.

With the fingers turn dynamo bodily in an anti-clockwise direction till, by passing a finger through the inspection cap opening, it can be felt the chain tension is correct.

The chain whip should be about $\frac{1}{4}$ ". Ensure, when feeling tension, the front driving chain is not confused with the dynamo chain which lies behind the front driving chain.

Tighten dynamo clamping strap bolt.

Re-check chain tension.

Replace chaincase inspection cap.

MAGNETO CHAIN ADJUSTMENT

The magneto platform hinges on one of its fixing bolts. This provides sufficient movement for adjustment to the magneto driving chain.

Tighten magneto chain by :

Remove magneto chain case cover.

Slacken nut on rear bolt supporting magneto platform.

Insert a screwdriver under that end of the magneto platform and lever upwards until the chain tension is correct.

The chain whip should be about J".

Tighten nut on platform supporting bolt.

Re-check chain tension.

Place supply of grease on magneto driving chain.

Replace magneto chain cover.

ENGINE SHOCK ABSORBER

The engine shock absorber is a spring device for smoothing out the engine impulses.

The engine sprocket is a free fit on the driving side flywheel axle. It has, integral with it, a face cam that engages with a similar face cam ("shock absorber cam ") which is keyed to the driving side flywheel axle by splines. A spring keeps the shock absorber cam in close engagement with the cam on the sprocket, and, the shock absorber cam being driven by the engine, over-rides the sprocket cam under the influence of the engine impulses. The shock absorber spring is compressed by the over-riding of the cams, thereby absorbing the shocks.

It is essential the faces of the cams are adequately lubricated otherwise the shock absorbing action will be nullified and this is automatically taken care of, providing the level of the oil in the front chaincase is maintained according to the instructions given in the " Lubrication Section."

The shock absorber spring is retained by a cap washer and a retaining bolt which must be fully tightened.

The dynamo sprocket is integral with the engine sprocket.

Behind the engine sprocket (between the sprocket and the crankshaft ball bearing) is a spacing collar which is a sliding fit on the driving side flywheel axle and in no circumstances must this be omitted.

NOTE—At the first sign of transmission harshness examine front chaincase for correct oil level, and dismantle and lubricate the shock absorber parts if the harshness continues. For access to the shock absorber parts it is necessary to remove the outer half of the front chaincase.

The order of assembly of the engine shock absorber is

- 1 The spacing collar between the crankshaft bearing and the engine sprocket.
- 2 The engine sprocket.
- 3 The shock absorber cam.
- 4 The shock absorber spring.
- 5 The cap washer.
- 6 The retaining nut.

FORK & FRAME SERVICE

STEERING HEAD ADJUSTMENT

The steering head frame races are of the floating self-aligning type and have spherical seats. Therefore they do not fit tightly in the head lug.

Occasionally test the steering head for correct adjustment by exerting pressure upwards from the extreme ends of the handlebars.

It is particularly important that the adjustment is tested after the first one hundred miles because of the initial settling down that always occurs in that period.

Should any shake be apparent, adjust the steering head bearings.

Adjust steering head bearings by :

Jack up the front of the machine so that all weight is taken off the front wheel. (A box under each footrest serves that purpose.)

Slacken the two fork crown pinch screws.

Slacken the domed nut at top of the steering column.

Screw down the nut underneath the domed nut a little at a time (using spanner 018178) and, while doing so, test the head assembly for slackness by placing the fingers over the gap between handlebar lug and frame top lug, at the same time exerting upward pressure by lifting from the front edge of the front mudguard. Tested in this manner the slightest slackness is discernible.

Continue to tighten the lower adjusting nut until no perceptible movement can be felt and yet the steering head is perfectly free to turn, then tighten down the domed nut in order to lock the adjustment.

Securely tighten the two fork crown pinch screws. (This is very important.)

Remove packing from under footrest.

FRONT FORKS (TELEDRAULIC)

Owing to the unusual construction of the " **TELEDRAULIC** " fork it is desirable to understand what happens in use and, in order to follow clearly the descriptions and subsequent assembly and adjustment instructions, reference to Illustrations 16 and 17 will be necessary.

As will be seen from the general arrangement drawing, Illustration 17, the main members of the forks are two long tubes. These are of heavy gauge and are externally ground to very fine limits. These fork main, inner, tubes are firmly fixed to the handlebar clip lug by the top bolts 016718 and are clamped to the fork crown by the clamping screws. Upon the external of these tubes are mounted the springs and sliding members, to which latter the front wheel, mudguards and front stand are fixed.

The telescopic action of the sliders, combined with the hydraulic dampers, described later, explain the word " **Teledraulic**," coined for the description of the fork.

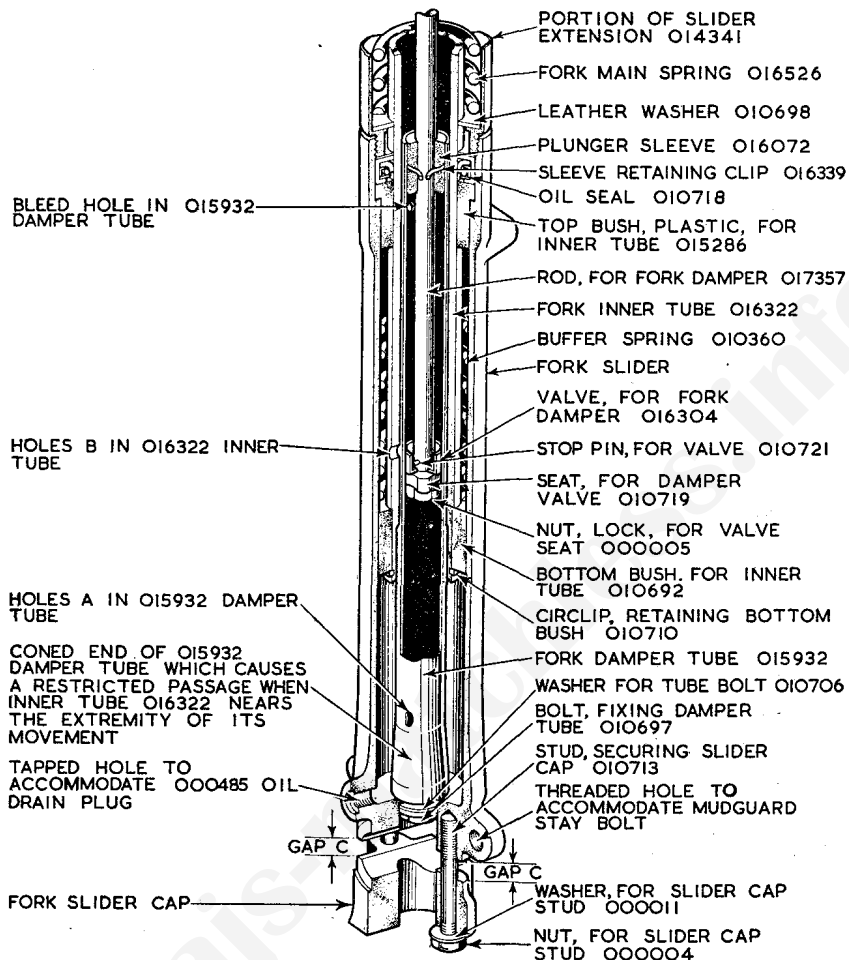


Illustration 16

Introduced in early 1941 for use under strenuous war conditions by all the allied armies, it remains unaltered, except in detail, to this day, and copied practically universally. The hydraulic dampers operate in tubular members located inside the main tubes. As will be seen the aluminium sliding members operate upon steel bushes attached to the bottom ends of the main tubes and also upon bakelite bushes, secured to the top end of the sliders themselves. Above these bushes, an oil seal is fitted, the object of which is to prevent leakage of oil from below into the main spring chamber. The normal level of oil is well above the bottom extremity of the main inner tubes and bearing this in mind, it is at once clear that upward movement of the sliders resulting from impact with road bumps in addition to meeting resistance from the main springs also causes oil to be ejected by the close fitting steel bushes. This oil is forced upward through the open ends of the main inner tubes and also through the holes A (Illustration 16) in the bottom of the damper tubes, then past the damper disc valve which the passing oil raises off its seat. As the oil level rises inside the main inner tubes, air trapped is compressed, thereby forming an air buffer acting as auxiliary to the main springs. This displacement of oil upon impact imposes a certain amount of damper effect, the extent of which increases with the violence of the shock, or in other words, the bigger the bump the greater the damping effect. Upon the recoil movement, the damper disc valve returns to its seat and the oil trapped between this valve and the plunger sleeve above

has no other source of escape but past this sleeve and the adjacent small metered bleed hole. This intentionally restricted passage causes a considerable damper effect to the recoil action. It will thus be gathered that on the shock movement of the fork, slight damper action occurs, with a greatly increased damper action on the reverse movement, both actions automatically increasing in effect the more violent the movement. Before concluding this description, it should be mentioned that upon a very violent impact, as a result of which the main springs are almost fully compressed, the damping of the upward movement of the sliders is intentionally increased by the automatically greatly restricted passage for the displaced oil, brought about by the lower ends of the main tubes encircling the tapered enlarged ends of the damper tubes as the sliders near the limit of their upward movement. Thus bottoming is prevented, no matter how violent the impact. For ordinary purposes the recommended oil content is 6½ ozs. (184.6 c.c.) each leg of one of the S.A.E. 20 oils specified. To deal with heavier loads than normal, the oil content may be increased to a permissible maximum of 10 fluid ozs. (284 c.c.) per leg. To increase damping oil of heavier grade may be used. It will be found, however, that for normal purposes the recommended grade and quantity of oil will give the most comfortable ride.

FRONT FORK " TOPPING UP "

No part of the **TELEDRAULIC** Front Fork requires individual lubrication, but it is advisable to check the oil content, once every five thousand miles. The normal content as already stated, is 6½ fluid ounces (184.6 c.c.) each side.

Support motor cycle vertically with weight on both wheels. A steady under each footrest is the best method.

Unscrew the hexagonal plugs at top of fork inner tubes. These are on level with handlebars and attached to them are the damper rods. Have a graduated measure of not less than 10 fluid ozs. capacity available in which to catch and measure the oil. Remove the drain plug from the bottom of a slider and catch the oil which drains out. Then reinsert drain plug and work the top plugs to which damper rods are attached up and down (pumping action), making upward strokes as violent as possible but using only fingers to do so. This pumping action is to eject any oil trapped in the damper tubes above the damper disc valve. Wait two minutes and again remove drain plug. Repeat the action until no further oil can be drained off when, if the fork had the correct oil content, about 6 fluid ozs. (170.4 c.c.) will have been drained off. If less, add to make this quantity, or reduce if an excess quantity has been drained off. Next refit drain plug and carefully pour into the top of the tube being checked exactly 6 fluid ozs. (170.4 c.c.), after which the top plug may be replaced.

NOTE—Although the normal oil content of each side is specified as 6½ fluid ozs., it is not possible to drain all the oil via the drain plug. This explains the lesser quantity of 6 fluid ozs. (170.4 c.c.) referred to above. However, if the fork is at any time completely dismantled and then reassembled in a dry state, it should be noted that in that event the correct quantity of oil to add to each leg is 6½ fluid ozs. (184.6 c.c.).

TO REMOVE THE COMPLETE FRONT FORK ASSEMBLY

Support the machine with the front wheel clear of the ground. (A box, of suitable height, under each footrest is the best method.)

Remove the front wheel as described in Wheel Section.

Remove the front stand and front mudguard.

Slacken the screw on headlamp top, gently prise out the rim and reflector assembly, detach with a slight rotary and lifting movement the cap to which headlamp wires are attached and take away rim and reflector assembly.

Gently ease back the rubber sleeves covering the pilot lamp wire snap connectors and pull latter apart.

Remove the three screws securing switch panel and lift same off with all wires attached.

Remove the nuts on the tubular bolts through which the pilot lamp wires pass which enables the pilot lamps and headlamp shell to be taken away.

Disconnect the driving cable from the speedometer head and detach the speedometer lamp bulb with its holder.

Remove the two bolts securing speedometer head and take same away.

Remove the handlebar half clip and Jay the handlebars, complete with controls, upon a pad on top of the petrol tank.

Detach the front brake cable from the forks. (First remove the slotted yoke end and then completely unscrew the cable adjuster.)

Unscrew the hexagon plug on top of each inner tube and slacken the lock nuts securing the damper rods attached. Then, before removing the hexagon plugs, attach a piece of wire about 18 inches long underneath each damper rod lock nut, to enable the damper rods to be raised for reassembly.

Remove domed lock nut at top of steering column.

Remove lock nut on steering column.

Use a soft mallet to tap upward the handlebar lug until it disengages with the fork stem (steering column) and the fork assembly can then be withdrawn. (Take care to avoid loss of any of the 56 steering head steel balls.)

To re-fit a complete front fork assembly

Secure, with grease, 28 balls in fork crown ball race.

Secure, with grease, 28 balls in main frame top ball race.

Proceed to fit fork assembly by reversing the instructions given above to dismantle, carefully retightening the damper rod locknuts before inserting the hexagonal headed plugs to which they are attached.

TO REMOVE A FORK SLIDER (either side) (Dealers' service only)

Support the motor cycle with the front wheel clear of the ground, and unscrew the tubular slider extension from the slider which it is intended to remove. Special articulated clamp tool required. (Available in workshop tools).

Next remove the front wheel, front stand and mudguard as detailed above. Then with a thin tubular box key, remove the bolt securing the damper tube. The hexagonal head of the bolt is sunk in the upper half of the wheel spindle clamp. Place a receptacle underneath to catch the oil which will drain out upon removing the bolt, and take care of the fibre washer located under the head. A sharp jerk downward should now enable the slider to be withdrawn, but should difficulty be experienced, apply a little heat to the enlarged top end of the slider. This will cause sufficient expansion to release the oil seal which is normally a snug push-in fit, in the top of the slider. The re-assembly is carried out in exactly the reverse order, again if necessary applying a little heat to enable the oil seal to be pushed down into the slider top before screwing in the slider extension. After completion, the oil which has escaped MUST be returned via the top. (See Front Fork " Topping up.")

TO REMOVE A FORK INNER TUBE ASSEMBLY (either side) (Dealers' service only)

First unscrew the hexagonal plug at the top of the inner tube it is intended to remove, and after slackening the lock nut by which the damper rod is secured to this plug, unscrew the plug, allowing the rod to fall. Next proceed to remove the slider as already detailed, except do not disturb the bolt securing the damper tube. This damper tube and protruding rod can be removed intact with the slider. Now loosen the fork crown clamping screw when it should be possible to draw the entire inner tube assembly down through the crown lug. Upon re-assembly, the inner tube is first pushed home as far as possible by hand and then pulled right home by screwing down the top hexagonal plug. With this plug tightened down, then proceed to tighten the crown clamping screw, after which the hexagonal plug may be removed and a piece of wire passed down through the inner tube. Loop the bottom end of this wire underneath the damper rod lock nut. The slider is then carefully pushed upward while at the same time pulling on the wire until the top end of the damper rod projects sufficiently to permit the screwed plug to be attached and secured with the lock nut, after which the wire may be removed. It may be found necessary to apply a little heat to enable the oil seal to be pressed home with the fingers before screwing on the tubular extension.

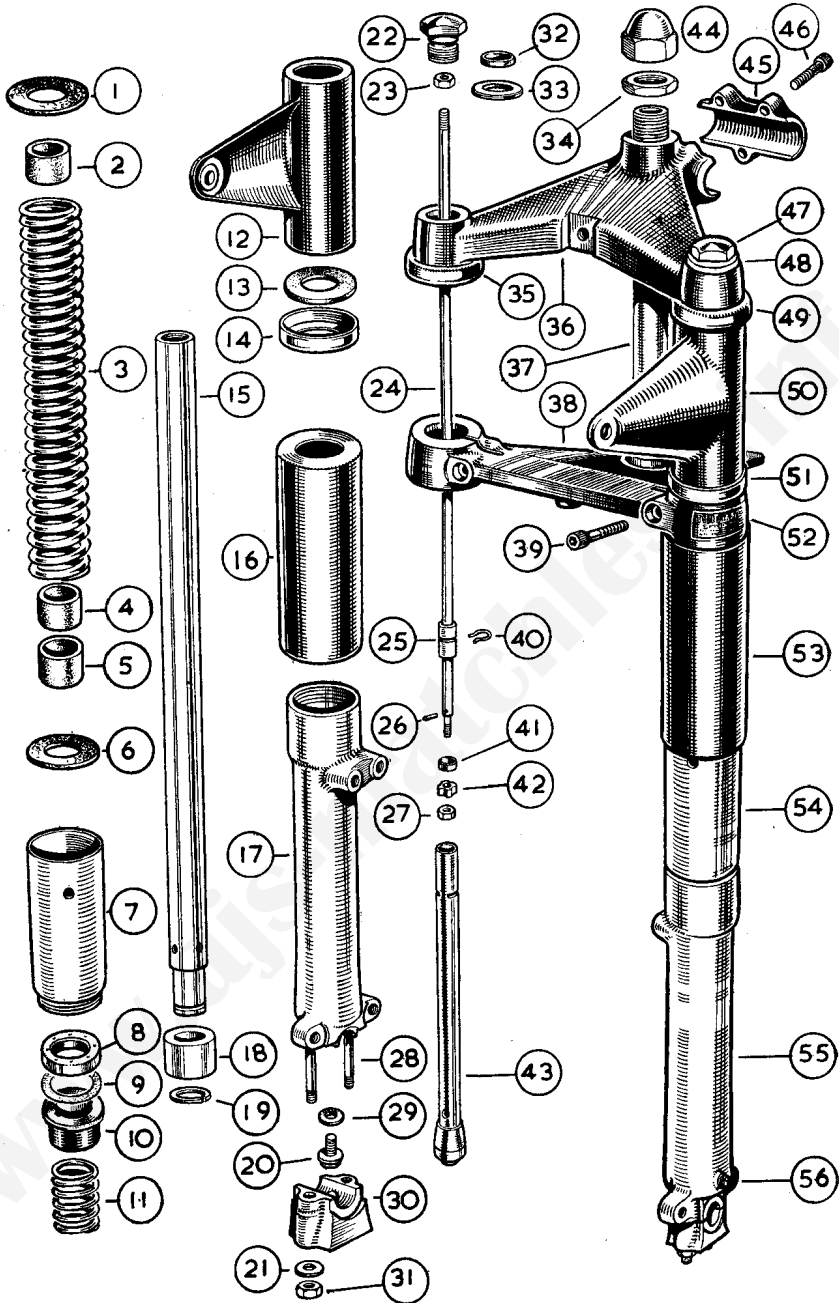


Illustration 17

| REF. NO. | DESCRIPTION |
|-------------|---|
| 1. | WASHER, LEATHER, FOR FORK SPRING TOP SEATING. |
| 2. | BUFFER, RUBBER, FOR FORK INNER TUBE (ONE OF THREE). |
| 3. | SPRING, MAIN, FOR FRONT FORK. |
| 4. | BUFFER, RUBBER, FOR FORK INNER TUBE (ONE OF THREE). |
| 5. | BUFFER, RUBBER, FOR FORK INNER TUBE (ONE OF THREE). |
| 6. | WASHER, LEATHER, FOR FORK SPRING BOTTOM SEATING. |
| 7. | EXTENSION, FOR FORK SLIDER. |
| 8. | OIL SEAL, RUBBER, FOR FORK INNER TUBE (AN ALTERNATIVE OIL SEAL IS MADE OF LEATHER). |
| 9. | WASHER, PAPER, FOR USE ONLY WITH LEATHER OIL SEAL. |
| 10. | BUSH, TOP, PLASTIC, FOR FORK INNER TUBE. |
| 11. | SPRING, BUFFER, FOR FRONT FORK. |
| 12. | TUBE, FORK COVER, TOP, RIGHT, WITH LAMP LUG. |
| 13. | WASHER, RUBBER, FOR TOP COVER TUBE BOTTOM CAP. |
| 14. | CAP, FOR FORK TOP COVER TUBE, BOTTOM LOCATION. |
| 15. | TUBE, FORK, INNER. |
| 16. | TUBE, FORK, COVER, BOTTOM. |
| 17. | SLIDER, FOR FORK, WITH STUDS. |
| 18. | BUSH, BOTTOM, STEEL, FOR FORK INNER TUBE. |
| 19. | CIRCLIP, LOCATING FORK INNER TUBE BOTTOM BUSH. |
| 20. | BOLT, FIXING DAMPER TUBE TO SLIDER. |
| 21. | WASHER, PLAIN, FOR FORK SLIDER CAP SECURING STUD. |
| 22. | BOLT, TOP, FOR FORK INNER TUBE. |
| 23. | NUT, LOCK, FOR TOP END OF DAMPER ROD. |
| 24. | ROD, FOR FORK DAMPER. |
| 25. | SLEEVE, PLUNGER, ON FORK DAMPER ROD. |
| 26. | PIN, STOP, FOR FORK DAMPER VALVE. |
| 27. | NUT, LOCK, FOR DAMPER VALVE SEAT. |
| 28. | STUD, SECURING CAP TO FORK SLIDER. |
| 29. | WASHER, FIBRE, FOR DAMPER TUBE BOLT. |
| 30. | CAP, FOR FORK SLIDER. |
| 31. | NUT, FOR FORK SLIDER CAP SECURING STUD. |
| 32. | RING, RUBBER, SEALING, FOR INNER TUBE TOP BOLT. |
| 33. | WASHER, PLAIN, FOR INNER TUBE TOP BOLT. |
| 34. | NUT, ADJUSTING, FOR FORK STEM. |
| 35. | CAP, FOR FORK TOP COVER TUBE, TOP LOCATION. |
| 36. | LUG, FOR HANDLEBAR AND STEERING HEAD. |
| 37. | STEM, FOR FORK CROWN (NOT SOLD SEPARATELY). |
| 38. | FORK CROWN (SOLD ONLY AS AN ASSEMBLY OF CROWN, STEM AND STEM CIRCLIP). |
| 39. | SCREW, PINCH, FOR FORK CROWN. |
| 40. | CLIP, RETAINING DAMPER ROD SLEEVE. |
| 41. | VALVE, FOR FORK DAMPER. |
| 42. | SEAT, FOR FORK DAMPER VALVE. |
| 43. | TUBE, FOR FORK DAMPER. |
| 44. | NUT, LOCK (DOMED), FOR FORK STEM. |
| 45. | CLIP (HALF ONLY), FOR HANDLEBAR LUG. |
| 46. | SCREW, PINCH, FOR HANDLEBAR LUG CLIP. |
| 47. | BOLT, TOP, FOR FORK INNER TUBE. |
| 48. | WASHER, PLAIN, FOR INNER TUBE TOP BOLT. |
| 49. | CAP, FOR FORK TOP COVER TUBE, TOP LOCATION. |
| 50. | TUBE, FORK COVER, TOP, LEFT, WITH LAMP LUG. |
| 51. | CAP, FOR FORK TOP COVER TUBE, BOTTOM LOCATION. |
| 52. | FORK CROWN. |
| 53. | TUBE, FORK COVER, BOTTOM. |
| 54. | EXTENSION, FOR FORK SLIDER. |
| 55. | SLIDER, FOR FORK, WITH CAP, STUDS AND NUTS. |
| 56. | SCREW, PLUG, WITH FIBRE WASHER, FOR FORK SLIDER OIL DRAIN HOLE. |

REAR SUSPENSION

The rear wheel is mounted in a fork that is hinged just behind the gear box. The hinge has robust plain bearings lubricated from a reservoir of 1½ fluid ounces (42.6 c.c.) of heavy gear oil which is sufficient to last almost indefinitely. Provision is, however, made for replenishment should same be required. A small screw will be observed in the right-hand end cap of the hinge bearing, upon removal of this screw, oil can be injected into the reservoir, the screw orifice operating as a level control.

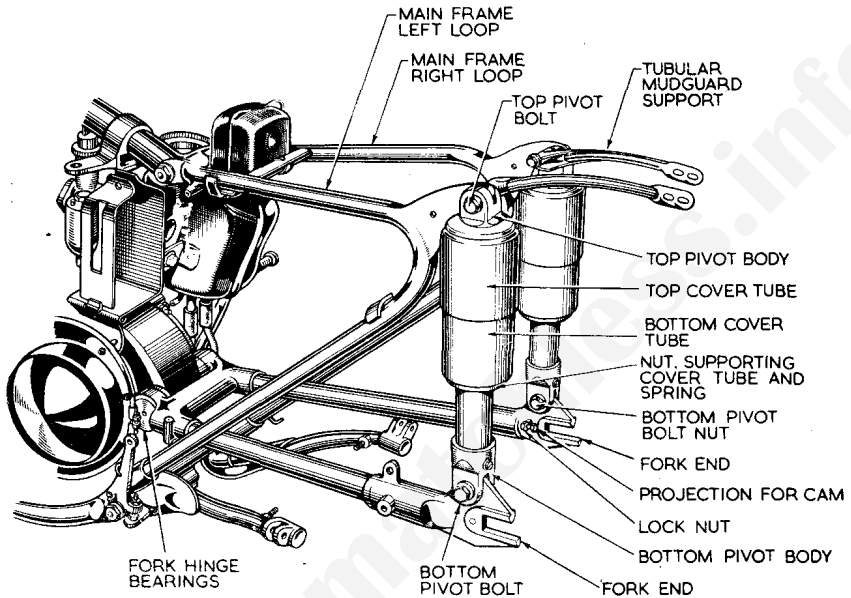


Illustration 18

Showing rear sprung frame and "TELEDRAULIC" legs

The rear wheel fork is suspended on springs located in the two "TELEDRAULIC" legs joining the rear of the fork to the main frame rear loops, and the spring action is damped by hydraulic dampers identical in design to those used in the "TELEDRAULIC" Front Fork Assembly.

The hydraulic fluid used is one of the grades of oil specified in the Lubrication Section for use in the "TELEDRAULIC" Front Forks.

The recommended quantity for each leg is 85 c.c. or a trifle under 3 fluid ozs. of S.A.E. 20 grade of one of the brands specified. For abnormal loads, the next heavier S.A.E. grade may be used, but unlike the front fork, recoil damping as well as maximum load capacity is increased by this alteration of grade alone, and under no circumstances should the oil content of each leg exceed 90 c.c. or roughly 3½ fluid ozs. Unless serious doubt exists as to the correct functioning of the rear legs, owners are advised to leave well alone. Should the need arise, however, the oil content of each leg should be separately checked as follows :

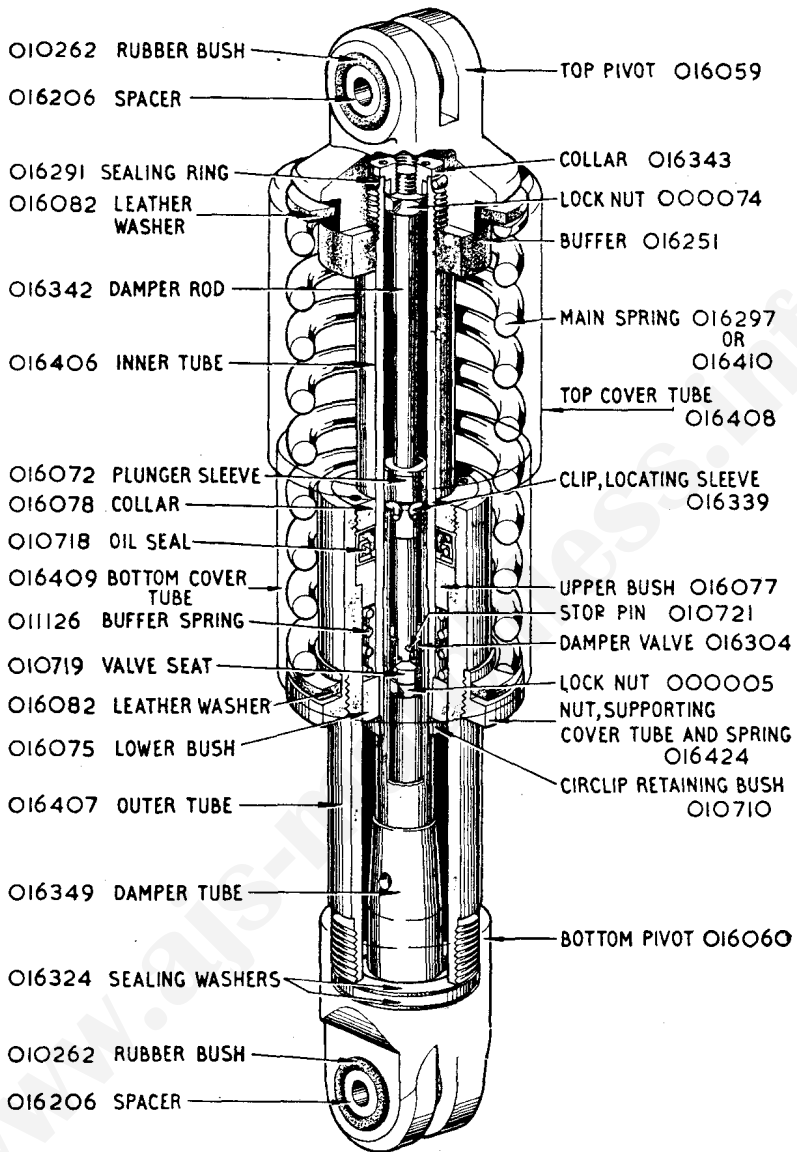


Illustration 19

Showing " Ghost " view of " TELEDRAULIC " leg

To check oil content of " TELEDRUALIC " leg and top-up : (DEALERS' SERVICE ONLY)

Dealing with one leg at a time, remove top securing bolt, taking care to observe the location of the spacing washers on it. Remove bottom securing bolt and take away the leg.

Using a suitable clamp encircling the outer tube adjacent to the bottom pivot lug, grip in a vice and loosen the pivot lug.

Then holding leg vertically, bottom end uppermost, carefully remove the loosened pivot lug, and gripping the exposed end of the damper tube with the fingers, raise and lower several times (pumping action) after which pour the oil contents into a graduated measure.

It may be necessary to repeat the pumping action to eject oil from underneath the damper valve, and finally the open end of tube should be supported above the measure and left to drain for several minutes.

If the leg contained the correct amount of oil, 75 c.c. (2½ ozs.) should have been drained out into the graduated measure, leaving 10 c.c. (½ oz.) which cannot be withdrawn.

All that now remains is to pour carefully back into the leg exactly 75 c.c. (2½ ozs.) of oil, after which the pivot lug may again be screwed on and securely tightened down to prevent oil leakage when the leg is re-fitted, after which the other leg may be dealt with in a similar manner.

NOTE.—Shortage of oil is evidenced by very lively action.

PROP STAND

The prop stand hinges on a bolt which passes through a lug brazed to the frame and screws into the jaw of the stand leg. It is then locked by a nut and split pin. Care in tightening this bolt is necessary to avoid pinching, and it is essential to observe after securely tightening the lock nut that the stand is perfectly free. Smear the hinge bolt with engine oil before replacing it.

CENTRE STAND (Spring Frame Models)

The centre stand is mounted on a bolt set across the bottom rear of the main frame and is removed by taking off a nut of the centre bolt and pushing bolt through the frame. During removal and replacement the stand should be in a horizontal position in order to take off as much of the tension off the return spring as is possible.

FRONT STAND

The front stand is intended to operate **only as a support** and care is necessary, when using, to avoid passing the vertical position. No stops are provided and dragging the machine backward, with the stands down, is likely to fracture the lugs on the aluminium sliders of the forks to which the stand is attached.

Do not attempt to use the FRONT, STAND unless the machine is already supported by the main stand.

REAR STAND (Rigid Frame Models)

A plain steel washer is fitted under the **HEAD** of each of the two bolts that retain the rear stand to the fork ends. The washers should **NOT** be fitted **UNDER** the nuts of those bolts.

TO REMOVE OIL TANK AND BATTERY CARRIER

Two studs on the seat tube, one facing to the front, the other facing to the rear, engage with two right-angle stays on the oil tank and two similar stays on the battery carrier, and two washers and two nuts, fitted to the studs, retain the oil tank and battery carrier in position.

Remove oil tank and battery carrier by :

Drain oil tank.

Disconnect wire from the battery where it is attached to the seat lug bolt by a screw.

Disconnect wire from the battery at the point, close to the battery, where there is a double screwed connector. (Pull back the rubber sleeve to reveal the two main components of the connector. Hold one component in a wrench, or pliers, while the second component is unscrewed from it.)

Remove battery from carrier.

Disconnect oil feed pipe from bottom of oil tank.

Disconnect oil return pipe from bottom of oil tank.

Disconnect vent pipe from back of oil tank.

Remove bolt retaining rear stay from oil tank to rear mudguard.

Remove screw, in base of carrier, retaining carrier to stay that is supported by the front chaincase.

Remove the two nuts and washers retaining the oil tank and battery carrier to the two studs.

Oil tank and battery carrier are now free to be taken away and, when doing so it is necessary to give each a slight rotary movement in order to disengage from the frame studs.

NOTE—The frame studs are fixed to the frame.

To re-fit

Locate tank and battery carrier on their two fixing studs and, before doing anything else, fit both oil pipes, engine end first if pipes have been removed. Then reverse the instructions given above.

TO REMOVE THE REAR CHAIN GUARD (Spring Frame Models)

Remove the rear wheel. (See Wheel Section.)

Remove the bolt retaining the front end of the chain guard to the rear fork.

Remove the bolt retaining the rear end of the chain guard to the rear fork. (There are two spacers on this bolt, one is between the two sides of the guard and the other is between the head of the fixing bolt and the guard.)

TO REMOVE THE REAR CHAIN GUARD (Rigid Frame Models)

Remove

The rear portion of rear mudguard.

The bolt retaining the front, top, end of the chain guard to the front chaincase.

The bolt retaining the front, bottom, end of the chain guard to the rear frame.

The bolt retaining the rear, top, end of the chain guard to the rear frame.

The chain guard is then free to be taken away.

*BY USING GENUINE SPARES YOU ARE ASSURED THEY
WILL FIT ACCURATELY AND GIVE SATISFACTORY SERVICE*

WHEELS AND BRAKES

TO REMOVE FRONT WHEEL

Place machine on both stands,

Remove the split pin, and pin, retaining yoke end of front brake cable to the brake expander lever.

Remove bolt retaining brake anchor stay to brake cover plate.

Slacken the nut on the left-hand end of front wheel spindle.

Remove the four nuts retaining the caps to the fork sliders, which will permit the removal of the two caps and, putting pressure on the front wheel (in order to decrease the effective height of the wheel spindle) the wheel can be withdrawn towards the front.

NOTE—The two caps **MUST** be re-fitted in same order and position as originally. Therefore, lay them aside so that the order and position of assembly will be correctly made.

Do not attempt to use the FRONT STAND unless the machine is supported by the centre stand (on SPRING FRAME MODELS) or by the REAR STAND (on RIGID FRAME MODELS).

TO RE-FIT FRONT WHEEL

Holding the left side cap on the wheel spindle, offer wheel up so as to engage the cap with its securing studs. Then apply fixing nuts and washers but only loosely tighten.

NOTE—To pass the wheel spindle into position it may be necessary to apply pressure to flatten the tyre so as to enable the spindle to pass the forward fixing studs.

Next, fit the right side cap and again only loosely tighten the securing nuts. Now attach the brake anchor arm and refit the yoke end pin.

Next fully tighten the nuts securing the left side cap, taking care to keep the gap fore and aft approximately equal. Then tighten the left side spindle nut and lastly the nuts securing the right side cap.

Should any fork stiffness be apparent after re-fixing the front wheel, loosen the nuts securing the right side cap and after working the fork up and down violently, re-tighten. This action will ensure that the wheel clamp occupies its natural position on the spindle end on which it is intentionally not positioned.

TO REMOVE REAR WHEEL (Spring Frame Models)

Place the machine on the centre stand. Loosen the bolt in rearmost position on each tubular member to which the detachable rear portion of the mudguard is fixed. Also slacken the two bolts securing the two portions of mudguard together. The rear portion can then be removed.

Disconnect the snap connector in the wire of the rear lamp.

Remove adjusting nut from rear brake rod.

Revolve rear wheel till the chain connecting link is in its most possible rear-most position.

Remove connecting link and allow chain to come right away from the rear wheel sprocket but ensure it hangs so it cannot come away from the gear box sprocket. Engage a gear to prevent sprocket revolving.

Disconnect speedometer cable from speedometer gear box by unscrewing the cable gland nut.

Slacken the nut, on the rear wheel spindle that positions the speedometer gear box.

Slacken both exterior nuts on the rear wheel spindle three complete turns.

Using adjustable wrench 017249, apply it to the hexagonal body of the adjusting cam on the left-hand end of the wheel axle and turn the cam till, by pushing the wheel forwards, the wheel is in its most forward possible position.

Hold left-hand side of wheel tightly forward against the cam stop and pull backwards the right-hand side of the wheel so that the brake cover plate disengages with the square headed anchor bolt. Then pull wheel away from the fork ends.

TO REMOVE REAR WHEEL (Rigid Frame Models)

Place machine on rear stand.

Disconnect rear lamp wire at connection near rear wheel spindle.

Disconnect speedometer driving cable. (Unscrew gland nut on cable.)

Disconnect rear chain connecting link. (Allow chain to hang clear of the rear wheel sprocket without becoming disengaged from the gear box small sprocket.) Engage a gear to prevent sprocket revolving.

Slacken the two bolts securing rear portion of rear mudguard to its front portion.

Loosen nut and washer from bolt securing mudguard side bridge and tool box stay to tubular stay.

Remove adjusting nut from rear brake rod.

Slacken the two nuts (unscrew about four turns) retaining the rear mudguard side stays to their studs.

Slacken the two nuts on the rear wheel spindle.

Remove the rear portion of the rear mudguard, with its stays, leaving tool box and stay in position.

Remove the rear wheel from the fork ends by twisting it sideways to release and clear the rear brake cover plate anchor bolt and then withdrawing it to the rear.

Re-fit in the reverse order but, before finally tightening the rear wheel spindle nuts, ensure the speedometer gear box is so positioned that the speedometer driving cable can be correctly replaced.

When the wheel alignment is correct a piece of thin string stretched taut across both wheels, about four inches from, and parallel to, the ground, should just touch each tyre at both sides of the wheel centres.

Alternatively, a straight wooden batten, about five feet long, is handy to use for checking wheel alignment. This should be applied, as in the case of string, parallel to and about four inches from the ground.

NOTE—Always check the rear chain tension and the rear brake adjustment after making an alteration to the rear wheel position,

TO RE-FIT REAR WHEEL (Spring Frame Model)

Reverse the removal procedure, see that the speedometer drive dogs are engaged, but leave the tightening of the nut that locates the speedometer gear box for the final operation, i.e., after the speedometer cable has been re-connected and the exterior axle nuts have been tightened. (This also applies to Rigid Frame Models.)

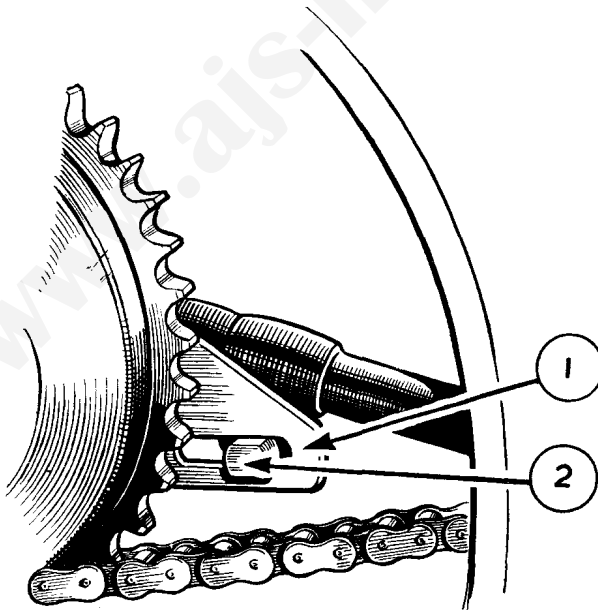


Illustration 20

1. REAR BRAKE COVER PLATE.
2. BOLT, ANCHORING COVER PLATE TO REAR FRAME.

It will be found easier to re-fit the wheel to the fork ends with the brake cover plate hanging free and then, holding the wheel on its left-hand side, as far forward in the fork end as is possible, to swing the right-hand side backwards, lifting up the free cover plate so that the slot in it is positioned to engage with the square headed anchor bolt and then swinging the right-hand end of the axle forwards till engagement has been completed. After re-fitting the rear wheel, check the rear chain adjustment, and, if necessary, re-set it. Then check the rear brake adjustment and, if necessary, re-set it. Also check that brake cover plate anchorage is correct (see illustration 20.)

WHEEL BEARINGS AND ADJUSTMENT

The wheel bearings are of taper roller type. The inner bearings for the rollers are integral with the wheel spindle in the case of the front wheel, and are separate tracks that are a push fit on the centre spindle in the case of the rear wheel. (Reference to Illustration 21 will make that clear.) The outer cups for the rollers are pressed into the hub shell. They have a fixed location one side and an adjustable location on the other. The fixed location is provided by a circlip in a groove cut in one end of the hub shell, while the adjustable location is regulated by a screwed ring that is threaded into the opposite end of the hub and the position of which can be locked by an encircling nut. On the rear wheel the adjusting ring is located on the left-hand side of the hub while, on the front wheel, the adjustment is on the right-hand side.

It is rarely necessary to make adjustment to wheel bearings. It is most important they are not adjusted too tightly as this would quickly ruin them. There must always be a slight amount of end play. This should be about .002", which represents a just perceptible rim rock. (Not more than $\frac{1}{64}$ " rock.)

To adjust the rear wheel bearings the wheel must first be removed from the machine, but those of the front wheel can be dealt with *in situ*.

A service method of ensuring correct adjustment is :

Slacken the lock nut.

Tighten the adjusting ring until all slackness has been taken up.

Slacken back the adjusting ring exactly one-half turn.

Tighten the lock nut, making sure that, when doing so, the adjusting ring does not creep round.

TO DISMANTLE A FRONT WHEEL BEARING

These instructions need reference to the upper part of Illustration 22.

Remove wheel from machine.

Remove nuts, and brake cover plate with shoes, etc., from left-hand side of wheel.

Turn to right-hand side and slacken lock nut. (11.)

Completely unscrew the adjusting ring (10) and take it away with the lock nut (11) still on it together with cover disc.

Carefully apply steady pressure on the threaded end of the wheel spindle which will, in turn, eject from the opposite end of the hub the cup housing for the oil seal (9), the oil seal (8), the metal washer (7) that is behind the oil seal and the outer cup (6). These may be lifted away as they emerge.

The front wheel spindle (6), with its two sets of rollers in cages, may now be lifted out of the hub.

Turn to the left-hand end of the hub, carefully apply steady pressure on the visible washer (avoiding fouling the circlip that can be seen in the hub end), so that the complete left-hand assembly of oil seal and outer cup is pushed a trifle further into the hub shell. This will take off pressure on the circlip, thereby making its extraction an easy matter.

Extract circlip (1), and then, reversing the hub, apply pressure on the inside edge of the outer cup (6), so that it is forced out of the hub. As it emerges it will push in front of it, the oil seal external plain washer (2), the oil seal (3), with its encircling spacer collar (4) and the oil seal inner plain washer (5), all of which can be lifted away as they appear, to be finally followed by the cup (6).

The dismantling is then completed.

To re-fit, reverse the above procedure, remembering that, after cup (6), washer (5), spacer (4), oil seal (3) and washer (2) have been inserted in the plain end of the hub, to re-fit the circlip (1) and then carefully to apply steady pressure on the inner edge of the cup (6) to force the above entire assembly tightly back against the circlip (1).

Position disc to permit access to grease nipple.

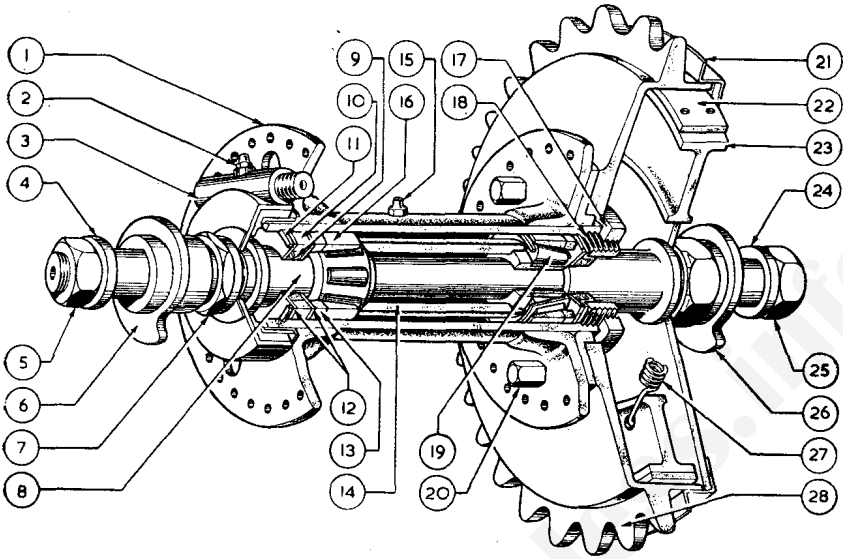


Illustration 21

**Showing rear hub, rear chain sprocket, brake and speedometer gear box
(Spring Frame Model)**

(Rigid Frame Models Identical except for items 4-6 and 26)

- | | |
|--|---|
| 1 RIGHT-HAND SIDE HUB FLANGE. | 14 SPACER, BETWEEN THE TWO TAPER ROLLER BEARINGS. |
| 2 GREASE NIPPLE ON SPEEDOMETER GEAR BOX. | 15 GREASE NIPPLE, IN HUB SHELL. |
| 3 SPEEDOMETER GEAR BOX. | 16 OUTER RACE OF RIGHT SIDE TAPER ROLLER BEARING. |
| 4 SPIGOT BUSH, FITS IN RIGHT-HAND FORK END. | 17 NUT, LOCKING BEARING ADJUSTING RING. |
| 5 NUT, ON CENTRE SOLID SPINDLE. | 18 RING, FOR ADJUSTING BEARING. |
| 6 RIGHT-HAND SIDE CAM. | 19 ROLLER (PART OF LEFT SIDE TAPER ROLLER BEARING). |
| 7 NUT, LOCKING SPEEDOMETER GEAR BOX IN POSITION. | 20 BOLT, SECURING BRAKE DRUM AND SPROCKET TO HUB. |
| 8 SPACER, BETWEEN SPEEDOMETER GEAR BOX AND RIGHT-HAND SIDE TAPER ROLLER BEARING. | 21 REAR BRAKE COVER PLATE. |
| 9 OIL SEAL. | 22 BRAKE LINING. |
| 10 COLLAR, ENCIRCLING RIGHT-HAND OIL SEAL. | 23 BRAKE SHOE. |
| 11 CIRCLIP, LOCATING RIGHT-HAND SIDE TAPER ROLLER BEARING. | 24 SPIGOT BUSH, FITS IN LEFT-HAND FORK END. |
| 12 WASHER, RETAINING OIL SEAL (ONE EACH SIDE OF SEAL). | 25 NUT, ON CENTRE SOLID SPINDLE. |
| 13 SPACER, BETWEEN OIL SEAL INNER WASHER AND TAPER BEARING. | 26 LEFT-HAND SIDE CAM. |
| | 27 SPRING, FOR BRAKE SHOE. |
| | 28 BRAKE DRUM AND SPROCKET. |

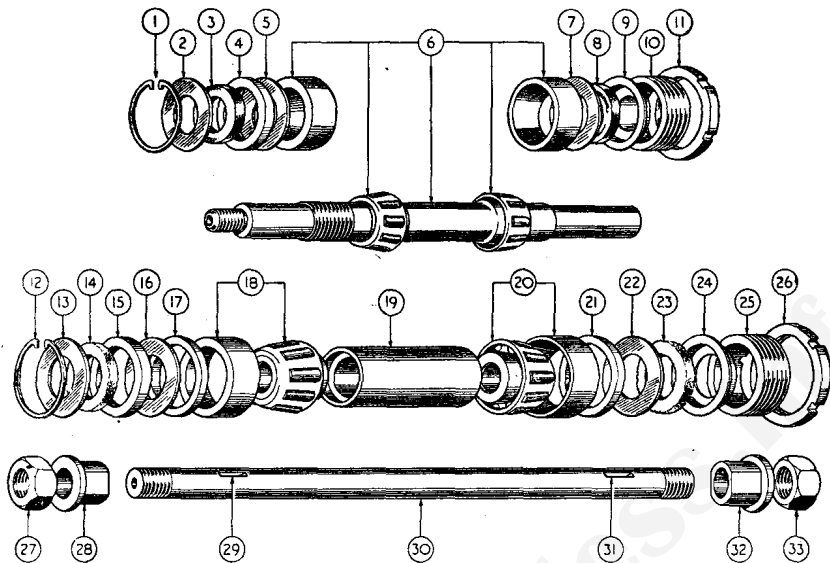


Illustration 22

Showing exploded view of hub bearing components in the order of assembly. Upper part is that of front bearings. (Rigid and Spring Frame Models). Lower part is that of rear bearings (Spring Frame Model only)

(Rigid Frame Models identical except for items 28 to 32)

- | | |
|---|--|
| 1 CIRCLIP. | 19 SPACER, BETWEEN BEARINGS. |
| 2 WASHER, METAL, OUTSIDE OIL SEAL. | 20 TAPER BEARING (OUTER CUP, CAGE FOR ROLLERS AND ROLLERS). THESE ARE NOT SUPPLIED SEPARATELY. ALSO ROLLERS ARE NOT SUPPLIED SEPARATELY. |
| 3 OIL SEAL. | 21 SPACER BETWEEN OIL SEAL WASHER AND TAPER BEARING. |
| 4 SPACING COLLAR, ENCIRCLING OIL SEAL. | 22 WASHER, METAL, BETWEEN OIL SEAL AND SPACER. |
| 5 WASHER, METAL, BETWEEN OIL SEAL AND TAPER BEARING. | 23 OIL SEAL. |
| 6 OUTER RACES (2 OFF). CENTRE SPINDLE. ROLLERS IN CAGES (2 SETS). THESE ARE NOT SUPPLIED SEPARATELY. ALSO, ROLLERS ARE NOT SUPPLIED SEPARATELY. | 24 CUP, HOUSING, FOR OIL SEAL. |
| 7 WASHER, METAL, BETWEEN OIL SEAL AND TAPER BEARING. | 25 ADJUSTING RING. |
| 8 OIL SEAL. | 26 LOCK NUT, FOR ADJUSTING RING. |
| 9 CUP, HOUSING, FOR OIL SEAL. | 27 NUT, EXTERNAL, FOR REAR WHEEL SPINDLE. |
| 10 ADJUSTING RING. | 28 BUSH, FOR REAR WHEEL SPINDLE (FITS IN FORK END). |
| 11 LOCK NUT, FOR ADJUSTING RING. | 29 KEYWAY, TO ACCOMMODATE KEY LOCKING CAM TO REAR WHEEL SPINDLE. |
| 12 CIRCLIP. | 30 REAR WHEEL SOLID CENTRE SPINDLE. |
| 13 WASHER, METAL, OUTSIDE OIL SEAL. | 31 KEYWAY, TO ACCOMMODATE KEY LOCKING CAM TO REAR WHEEL SPINDLE. |
| 14 OIL SEAL. | 32 BUSH, FOR REAR WHEEL SPINDLE (FITS IN FORK END). |
| 15 SPACING COLLAR, ENCIRCLING OIL SEAL. | 33 NUT, EXTERNAL, FOR REAR WHEEL SPINDLE. |
| 16 WASHER, METAL, BETWEEN OIL SEAL AND SPACER. | |
| 17 SPACER, BETWEEN OIL SEAL WASHER AND TAPER BEARING. | |
| 18 TAPER BEARING (OUTER CUP, CAGE FOR ROLLERS AND ROLLERS) THESE ARE NOT SUPPLIED SEPARATELY. ALSO ROLLERS ARE NOT SUPPLIED SEPARATELY. | |

TO DISMANTLE A REAR WHEEL BEARING

These instructions need reference to the lower part of Illustration 22.

Remove wheel from machine.

Remove brake cover plate, with brake shoes, centre solid spindle with cams, spacers, bushes, nut and speedometer gear box.

Turn to left-hand side and slacken lock nut (26).

Completely unscrew the adjusting ring (25) and take it away with the lock nut (26) still on it.

Turn to the right-hand end of the hub and carefully apply steady pressure on the visible steel washer (avoiding fouling the circlip that can be seen in the hub end), so that, in turn, the cup housing (24) for the oil seal, the oil seal (23), the metal washer (22) that is behind the oil seal, the spacing ring (21) that is between the metal washer and the taper bearing, and outer cup (20) are ejected. These may be lifted away as they emerge.

The rollers in cage (20), the centre spacer (19) and the rollers in cage (18) may now be lifted out of the hub.

Turn to the right hand end of the hub, carefully apply steady pressure to the visible washer (avoiding fouling the circlip that can be seen in the hub end), so that the complete right-hand assembly of oil seal and outer cup is pushed a trifle further into the hub shell. This will take off pressure on the circlip, thereby making its extraction an easy matter.

Extract circlip (12).

Through the open end of the hub carefully apply steady pressure to the inner edge of the outer cup (18) so that it is forced out of the hub.

As it emerges, it will push, in front of it, the oil seal plain washer (13), the oil seal (14) with its encircling spacer collar (15), the oil seal internal plain washer (16) and the spacing ring (17) between the metal washer and the taper bearing, to be finally followed by the cup (18).

The dismantling is then completed.

To re-fit, reverse the above procedure, remembering that, after cup (18), spacer (17), washer (16), oil seal (14), spacer (15) and washer (13) have been inserted in the plain end of the hub, to re-fit the circlip (12) and then carefully to apply steady pressure on the inner edge of the cup (18) to force the above entire assembly tightly back against the circlip (12).

FRONT BRAKE COVER PLATE

It is most important the front brake cover plate is correctly positioned.

It is retained to the front wheel spindle by an inside nut (part number 017003) and an outside nut (part number 018071). Between the inside nut and the brake cover plate is a locating washer (part number 017222.)

The inside nut must be positioned so that when the locating washer is placed next to it and the cover plate applied, the outer face of the latter lies flush with the hub shell edge.

The outside nut is fitted so that its hexagonal side is against the brake cover plate.

BRAKE DRUMS

The front wheel brake drum is a shrunk in fit in the hub shell (assembled under heat) and secured additionally by five screws.

The rear wheel brake drum is integral with the rear wheel sprocket and is retained to the wheel hub by five bolts and nuts. Under each nut is a lock washer of the "tab" type and it is essential these are always in position.

Harshness in transmission can be caused by the drum retaining bolts and nuts being loose. Rear wheel spokes will break for the same reason.

BRAKE SHOES

The front and rear brake shoes, springs and expanders are interchangeable. The two shoes in each brake are **NOT** identical, they are "handed."

One end of each shoe bears on a fulcrum fixed in the brake cover plate. The other end accommodates a detachable thrust pin. By inserting washers under a thrust pin its effective height can be increased, thereby compensating for wear on the brake linings.

BRAKE SHOE ADJUSTMENT

Brake adjustment, to compensate for lining wear, is normally made by means of a finger adjuster on the rear brake rod and a cable adjuster for the front brake cable.

After a very considerable mileage this continual adjustment causes the brake cam to occupy a position whereby the available leverage is considerably reduced and, as a result, the brake loses efficiency.

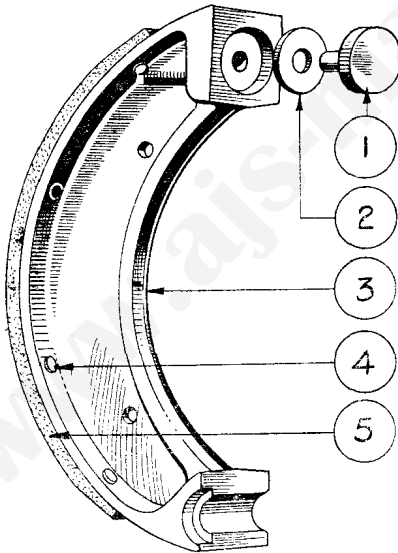


Illustration 23

To overcome this a hardened headed thrust pin is fitted to each shoe to enable a packing washer to be fitted under the head as, and when, required. Eight of these washers (000174) are provided in the tool kit. When wear of the brake linings is taken up in this manner it is then necessary to unscrew considerably the adjusting nut on the rear brake rod, or screw in the cable adjuster of the front brake cable, and afterwards adjust the brake, as described afterwards.

When a brake cover plate has been disturbed, it is advisable, upon re-assembly, to centralise the shoes in the brake drum to ensure equal pressure to each. In the case of the front wheel this is best done before re-fitting the wheel to the machine, but in the case of the rear wheel it is best done after re-fitting. If brake shoes tend to squeak, when the brake is applied it is generally an indication the brake shoes are not centralised in the drum.

- (1) Brake shoe thrust pin.
- (2) Thrust pin packing washer.
- (3) Brake shoe.
- (4) Rivet, securing brake shoe lining.
- (5) Brake shoe lining.

Centralise brake shoes, Front or Rear, by :

Ensure the nut securing the cover plate and also the fulcrum stud nut (front only) are slightly slacked off.

Place on the brake expander lever a tubular spanner (to increase the leverage), and, while maintaining pressure on the tubular spanner (to expand fully the brake shoes), fully tighten the spindle nut binding the cover plate to the spindle and also the nut on fulcrum stud.

FRONT BRAKE ADJUSTMENT

Major adjustment of the front brake shoes is made on the brake thrust pins, by fitting packing washers under the pins, as already described.

Minor adjustment of the front brake shoes is made by altering the position of the brake cable adjuster on the fork assembly. Unscrew the adjuster to "take up" the front brake.

The adjuster is locked in position by a nut.

Adjust front brake by :

Place machine on both stands.

Slacken lock nut on cable adjuster.

Unscrew the cable adjuster till, by rotating the front wheel, it can be felt the brake shoes are just touching the brake drum.

Then screw back the adjuster two complete turns and tighten the lock nut.

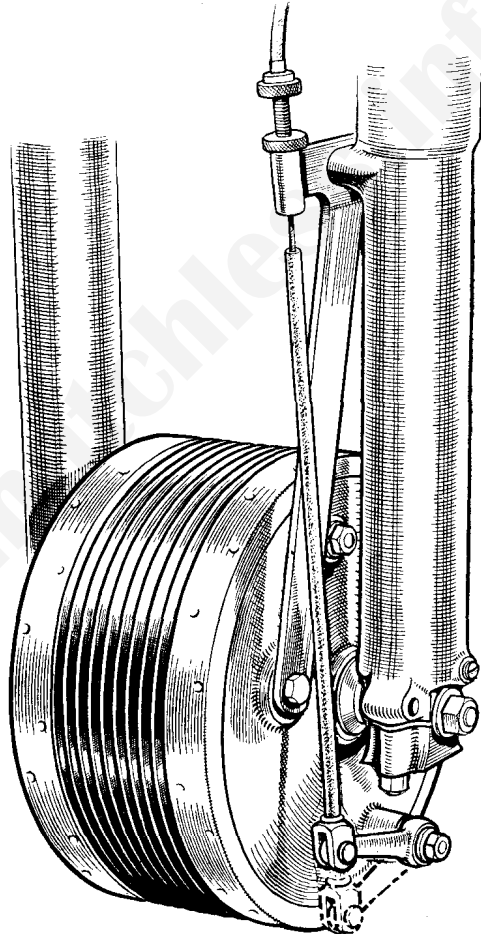


Illustration 23

Showing front brake cable adjuster thread exhausted, indicating brake shoe thrust pin adjustment is necessary.

REAR BRAKE ADJUSTMENT

Major adjustment of the rear brake shoes is made on the brake thrust pins, by fitting packing washers under the pins, as already described.

Minor adjustment of the rear brake shoes is made by altering the position, on the brake rod, of the knurled adjusting nut. Screw the nut further on the rod to "take up" the rear brake.

Adjust rear brake by :

Place machine on centre stand if spring frame, otherwise on rear stand.

Screw further on the brake rod the knurled adjusting nut till, by rotating the wheel, it can be felt the brake shoes are just touching the brake drum.

Then unscrew the adjusting nut two complete turns. (The adjusting nut is automatically locked in position in virtue of the two projecting noses on it engaging in accommodating slots cut in the clip which connects the brake rod and brake expander lever and being retained in that position by the spring which encircles the rear end of the brake rod.)

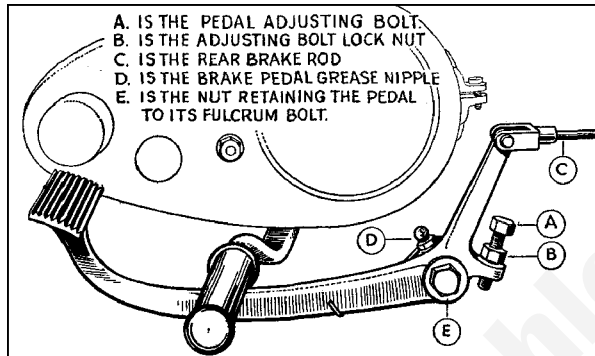


Illustration 25

Showing the rear brake pedal with its adjusting bolt and lock nut. To permanently raise the toe end of the pedal, slacken lock nut (B) and unscrew the adjusting bolt (A). (Check back brake adjustment after).

BRAKE PEDAL ADJUSTMENT

The position of the rear brake pedal can be adjusted within narrow limits. This is done by means of a bolt screwed into the heel of the pedal. The adjusting bolt is locked by a nut.

The best position, for normal use, is to position the pedal so that, when the brake is "off," it is just clear of the under-side of the footrest arm.

After altering the adjustment of the brake pedal, rear brake adjustment should be checked.

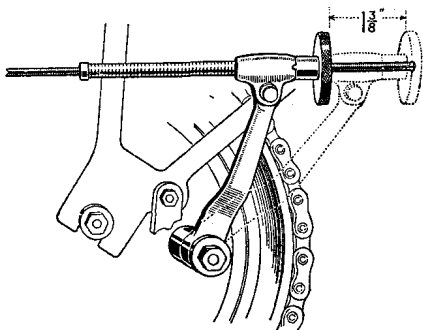


Illustration 26

Showing brake rod adjustment exhausted, indicating brake shoe thrust pin adjustment is essential. (RIGID FRAME MODELS)

RIMS AND SPOKES

The front and rear rims are each drilled for forty spokes, and are now interchangeable.

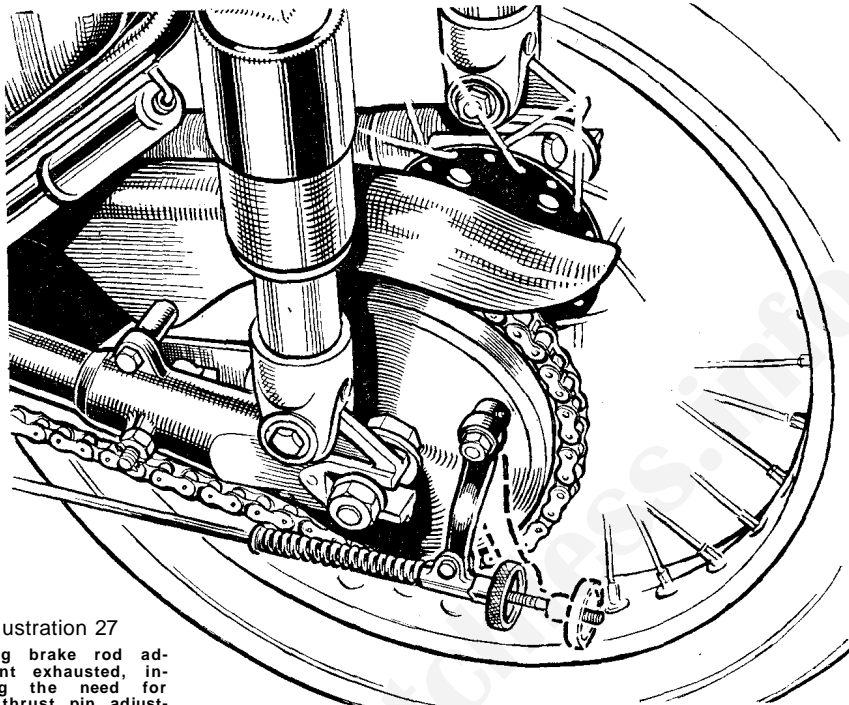


Illustration 27

Showing brake rod adjustment exhausted, indicating the need for brake thrust pin adjustment.

(SPRING FRAME MODELS)

TYRES AND SERVICE

Obtaining satisfactory life and service from the tyres is largely a matter within the user's control because the first essential is correct inflation. Check tyre pressures with a low pressure gauge at least once a week. Inflate as may be necessary.

Avoid unnecessary, or "stunt," acceleration and fierce braking, which wear out tyres by causing wheel spin and skid.

Do not drive in tram lines. It is dangerous, especially when wet, and the uprisng edges of worn rails will damage the tyres.

Remove flints, etc., that become embedded in the tread and, if any oil gets on the tyre or spokes, clean it off with petrol.

Make sure the front and rear wheels are in track. When the wheel alignment is correct, a piece of thin string stretched taut across both wheels, about four inches from, and parallel to, the ground, should just touch each tyre at both sides of the wheel centres.

Alternatively, a straight wooden batten, about five feet long, is handy to use for checking wheel alignment. This should be applied, as in the case of string, parallel to and about four inches from the ground.

Always check the rear chain adjustment, and the rear brake adjustment, after making an alteration to the rear wheel position.

TYRE REMOVAL

It is not essential to remove a wheel from the machine to repair a puncture but it will usually be found desirable and more convenient to do so.

Take off outer cover and remove inner tube by :

Remove cap from tyre valve.

Remove nut from tyre valve.

Remove the " inside " from tyre valve. This allows inner tube to deflate. Most valve caps have a reduced and slotted top to engage with the valve " inside " In order to unscrew it.

Push edge of cover, that is diametrically opposite to the valve, **RIGHT INTO WELL OF RIM** and, using tyre lever 017007, pick up edge of cover **NEAR VALVE** so that it comes off over the edge of the rim.

Work off the remaining edge of the cover till it is clear of the rim. This is quite easy and there is no reason to use force.

Push upwards **valve stem** through its hole in the rim, and the inner tube is then free to be taken away.

Remove cover from rim by pushing it right into well of rim and, diametrically opposite, picking it up with the tyre lever and then working it off all the way round.

TYRE FITTING

Re-fit inner tube and outer cover by :

Place one edge of cover right into well of rim, with the three white dots on the cover side **adjacent to the valve hole**, and, commencing diametrically opposite, and using the hands only, work the cover over the edge of the rim.

Replace the valve "inside" and slightly inflate the inner tube. (Do not distend the tube.) Fit the valve into its hole in the rim and replace its nut, only screwing it on the valve stem about half an inch.

Tuck in the inner tube so that it lies snugly in the cover. Ensure it is not twisted. Smear some soapy water round the free edge of the cover. This is a great help in fitting and in ensuring the cover centralises itself on the rim and should always be employed if at all possible.

Introduce the free edge of the cover into the rim at the spot diametrically opposite to the valve. Get this edge right into the well of the rim and then, by working round the cover, equally on either side of the valve position, the cover will slip into place without excessive exertion, fitting the part nearest to the valve last of all.

Slightly inflate the inner tube and inspect for the inner tube being trapped between the outside edge of the cover and the rim at the spots where the valve is located.

Half inflate tyre, spin wheel and test for trueness because it is essential the pattern of the tread runs evenly and the cover must be manipulated till that occurs. This **centralisation of the cover is most important**.

Inflate to required pressure.

Screw fully home the nut on the valve.

Replace the valve cap.

TYRE PRESSURES

The following are correct minimum inflation pressures for specified loads per tyre :

| Load per tyre, 200 lb. | Pressure 16 lb. per square inch |
|------------------------|---------------------------------|
| do. 240 lb. | do. 18 lb. do. |
| do. 280 lb. | do. 20 lb. do. |
| do. 350 lb. | do. 24 lb. do. |
| do. 400 lb. | do. 28 lb. do. |
| do. 440 lb. | do. 32 lb. do. |

The best method of ascertaining the correct pressure is to actually weigh the loads on the front and rear tyres. This should be done on a weighbridge and is a service that can usually be provided by British Railways at a Goods Depot or by a Corporation at its Depot.

When the weights are known the table above can then be used.

As a rough guide it may be stated that, with a rider of average weight and with normal equipment, solo, the pressure should be 18 lb. for the front tyre and 22 lb. for the rear.

USEFUL INFORMATION

In the following five paragraphs are particulars of failures and troubles that can occur, together with the probable reasons. These troubles are arranged in the order of their probability.

TRACING TROUBLES

Engine fails to start, or is difficult to start, may be due to :

Water on high-tension pick-up.
Moisture on sparking plug.
Oiled up, or fouled, sparking plug.
Throttle opening too large.
Pilot jet choked.
Air lever in open position, or bad air leak at carburetter flange.
Lack of fuel because of insufficient flooding (cold only).
Lack of fuel because of pipe, or tap, obstruction.
Excessive flooding of carburetter (with hot engine only).
Stuck up engine valve.
Weak, or broken, valve spring.
Valve not seating properly.
Contact points dirty.
Incorrect contact point gap.

Engine misses fire may be due to :

Defective, or oiled, sparking plug.
Incorrect contact point gap.
Contact breaker points loose.
Rocker adjustment incorrect.
Oil on contact breaker points.
Defective sparking plug wire.
Partially obstructed petrol supply.

Loss of power may be due to :

Faulty sparking plug.
Lack of oil in tank.
Weak, or broken, valve spring.
Sticky valve stem.
Valve not seating properly.
Brakes adjusted too closely.
Badly fitting, or broken, piston rings.
Punctured carburetter float.
Engine carbonised.
Choked silencer.

Engine overheats may be due to :

Lack of proper lubrication. (Quality or quantity of oil.)
Faulty sparking plug.
Air control to carburetter out of order.
Punctured carburetter float.
Engine carbonised.
Weak valve springs.
Pitted valve seats.
Worn piston rings.
Ignition setting incorrect.
Choked silencer.

Engine stops suddenly may be due to :

No petrol in tank, or choked petrol supply.
High-tension wire detached from sparking plug.
Choked main Jet.
Oiled up, or fouled, sparking plug.
Water on high-tension pick-up, or sparking plug.
Water in float chamber.
Vent hole in petrol tank filler cap choked.
Stuck up valve.

EXCESSIVE OIL CONSUMPTION

Excessive oil consumption may be due to :
Clogged, or partly clogged, oil filter.
Stoppage, or partial stoppage, in the pipe returning oil from the engine to the oil tank.
Badly worn, or stuck up, piston rings. (Causing high pressure in the crankcase.)
Air leak in dry sump oiling system.
Worn inlet valve stem or guide.
Improper non-return valve action.

EXCESSIVE PETROL CONSUMPTION

Excessive petrol consumption may be due to :
Leaks in the petrol feed system. (Damaged fibre washers, loose union nuts on piping, defective float needle action.)
Incorrect ignition setting. (Ignition not advanced sufficiently.)
Defective engine valve action.
Incorrect use of air control lever.
Moving parts of carburetter badly worn. (Only possible after very considerable mileage.)
Bad air leak at carburetter junction.

STEERING UNSATISFACTORY

Incorrect steering head adjustment. (too tight or excessively slack.)
Pitted steering head ball races resulting from loose adjustment.
Wheels out of alignment.
Front and/or rear tyre tread not correctly manipulated to run true with wheel (causes handlebar oscillation at low road speed.)
Damaged front fork main tubes resulting from impact.

ABNORMAL TYRE WEAR

Abnormal tyre wear may be due to :

Incorrect tyre pressure.

Wheels not in alignment.

Harsh driving methods. (Misuse of acceleration and braking.)

CLEANING THE MACHINE

Do not attempt to rub, or brush, mud off the enamelled surfaces because this will soon destroy the sheen of the enamel. Mud, and other road dirt, should be soaked off with water.

The best method is to use a small hose, taking care not to direct water on to the engine, carburetter, magneto and other such parts. As a poorer substitute, a pail of water and a sponge may be used.

After washing down with water, the surplus moisture should be removed with a chamois leather, and, when the enamelled surfaces are thoroughly dry, they may be polished with a good wax polish and soft dusters.

Such parts as the engine crankcase and the gear box can be cleaned by applying paraffin with a stiff brush, and, with a final application of petrol, will come up like new.

CHROMIUM PLATING

Under some climatic conditions, a rusty looking deposit may be observed on ferrous parts that are chromium plated. This is not ordinary rust (ferric oxide) but is a salt deposit that, in most cases and in its early stages, can be quickly and easily removed with a damp chamois leather. In stubborn cases it may be necessary to use a special chromium cleaning compound.

Lack of attention will lead to more serious damage.

The safest precaution during Winter is to wipe over all chromium plated parts with a soft rag soaked in " **TEKALL**," which is a lanoline base rust preventative marketed in small tins and available at most garages. This material, so applied, leaves an almost invisible film that is impervious to moisture and its use cannot be too highly recommended to owners who value the appearance of their mounts.

In Summer, when those conditions do not prevail, chromium parts should be frequently cleaned with a damp chamois leather and afterwards polished with a soft duster, or, better still, with a polishing cloth of the " **Selvyt** " type.

If a polish is used it must be one of the special compounds for chromium plating only. Ordinary metal polishing liquids, in particular, must not, on any account, be used because these, almost without exception, contain acids, which attack chromium.

NOTE— " **Tekall** " is a product of **20th Century Finishes Ltd., 175-177, Kirkgate, Wakefield**, and is retailed in ½ pint and 1 pint tins. It can be obtained from our Spare Parts Department, as follows :

½ pint tin " **Tekall**," Part number 011957, price 2/-, plus 6d. postage.

1 pint tin " **Tekall**," Part number 011958, price 3/-, plus 6d. postage.

ELECTRICAL SERVICE

IGNITION

A Lucas magneto type N1-4 with manual advance and retard is fitted to 350 c.c. Touring models.

A Lucas magneto type SR-1 with automatic advance and retard is fitted to 500 c.c. Touring models.

A Lucas racing magneto type NR-1 is fitted to all Competition 350 c.c. and 500 c.c. models.

The only service attention required by the N1-4 magneto is the occasional lubrication of the contact breaker cam and tappet and infrequent adjustment of the contact breaker points. To lubricate the contact breaker cam and tappet it is necessary to remove the complete contact breaker.

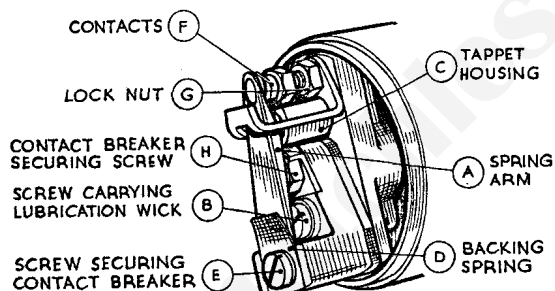


Illustration 28

Showing Contact Breaker

To remove contact breaker (Magneto type N1-4)

Swing away the flat blade retaining contact breaker cover and remove same. Remove the screw E (Illustration 28) retaining the spring arm A to the contact breaker body and take away the backing spring F (Illustration 29) and also the spring arm E. Note there is a spring washer under the screw. Unscrew screw B (Illustration 28) carrying the lubrication wick and take away the fibre insulating bush encircling the screw. Straighten the tab on the lock washer D (Illustration 29) under the central screw H retaining the contact breaker body A to the armature shaft and with spanner 017251 remove the central screw. Finally lever off the contact breaker.

To lubricate contact breaker cam and tappet (Magneto type NI-4) remove the contact breaker as described.

Saturate with a few drops of thin machine oil the wick mounted in the core of its carrying screw B (Illustration 28). Push out of the contact breaker body the tappet B

(Illustration 29), wipe it with a soft cloth, smear it with thin machine oil, clean and replace.

NOTE—When replacing the contact breaker parts ensure the backing spring F (Illustration 29) is fitted so that its bent over end faces outwards.

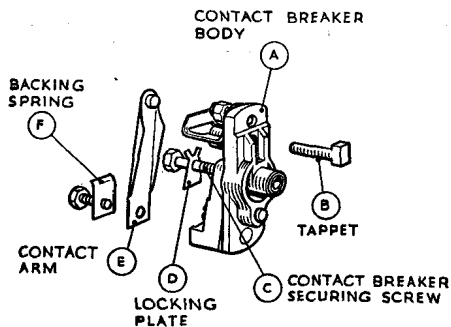


Illustration 29

Showing component details of Contact Breaker

To clean, check and adjust contact breaker points (Magneto type N1-4)

If dirty, oily or burnt, contact points must be cleaned with a fine carborundum stone or very fine emery cloth and afterwards wiped with a cloth moistened with petrol.

Cleaning is made easier if the spring arm A (Illustration 28) is removed. To adjust turn over engine until the points are fully open. Insert the gauge (Part of spanner 017251) which should be a sliding fit. If there is appreciable variation from the gauge, Slaken the lock nut G (Illustration 28) with spanner 017251, then with the same spanner turn the screw inward to increase the gap or outward to decrease it. Finally tighten the lock nut and re-check the setting.

On the SR-1 magneto fitted to 500 c.c. models, the contact breaker is exposed by removing the moulded end cover secured with 3 captive screws.

To remove the contact breaker lever, slacken the nut securing the end of the contact breaker spring which is slotted to permit easy withdrawal of the moving contact lever.

Adjustment of contact breaker (Magneto type SR-1)

If and when adjustment is necessary slacken the two screws securing the fixed contact plate and adjust the position of the plate until the gap, when the contacts are fully opened, is set to the thickness of the gauge. The correct gap should be .010 to .012.

Special Notes (all models)

Check the contact breaker gap after the first 500 miles. Owing to the initial settling down there is a tendency for the gap to alter in the first few hundred miles of use.

Subsequent adjustment will only be required at long intervals, but it is nevertheless advisable to check every two thousand miles.

Lubrication

All magnetos are provided with ball bearings on the driving shaft. These bearings are packed with grease upon assembly and require no attention for a considerable time.

About every two years or when the engine is undergoing a general overhaul the magneto should be dismantled at a Lucas Service Depot and the bearings re-packed with high melting point grease.

SPARKING PLUG

The K.L.G. Type FE80 "Corundite " Plug is fitted to all models.

It has a thread of 14 mm. and the reach is $\frac{3}{4}$ ". The point gap is .015". Check the point gaps every time the engine is decarbonised and, if necessary, re-set the points.

See the plug is fitted with its external seating washer.

Coat the thread with "Oil Dag" or Graphite paste. (See page 36.)

Firmly tighten the plug by using the standard box spanner and tommy bar (Part No. 017252.) All that is required is a GAS-TIGHT joint. Therefore do not over tighten, which will **not** make a gas-tight joint more gas-tight, but can, and possibly will, distort and damage the body of the plug.

Set the gaps to .015 inch. Never try to move the central electrode. To widen or narrow the gap between the electrodes only move the earth (side electrodes). Check the gaps first with a gap gauge. If they are too wide tap the earth (side electrodes) towards the central electrode using preferably a small copper drift and light hammer. Check the gaps between each tap and stop when the gauge is a nice sliding fit between the central electrode and the three earth side electrodes.

If the gaps are too small to start with gently lever the earth electrodes away from the centre electrode using a small screw-driver and then tap them back as described above. Avoid damaging the centre electrode and do not attempt to move the electrodes apart by forcing anything between them.

For maximum efficiency, plugs should be cleaned at every 3,000 miles. To take the plug to pieces for cleaning, unscrew the gland nut by holding the smaller hexagon on the gland nut upside down in a vice and then using the box spanner to unscrew the larger hexagon on the body.

Then lift away the central electrode assembly which should be washed in petrol or paraffin. Then, using fairly coarse glass paper, remove the carbon deposit and wash again.

The central firing point should be cleaned with fine emery cloth. The inside of the body should be scraped clean with a knife and finally rinsed in petrol.

There is an internal washer, between the insulator and its seating in the body. On re-assembly lightly smear this with thin oil and then screw up the gland nut sufficiently tight to give a gas-tight joint.

Finally adjust the gap to .015"—.018".

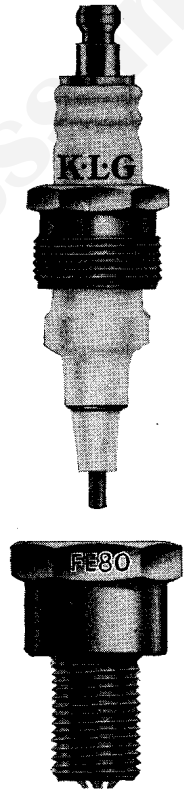


Illustration 30

CHARGING

A LUCAS type E3-N dynamo is fitted. It is anti-clockwise in rotation. The cutting in speed is 1250-1500 r.p.m. at 7 volts and at 1,850 to 2,200 revolutions per minute it gives an output of 5 amps at 7 volts. The replacement part number is 20028A. The negative brush is insulated and the positive brush is earthed. The two exterior terminals are marked " D " and " F," indicating the respective terminals for the Positive and Field wires that lead to similarly marked terminals on the Regulator Unit.

Inspect commutator and brush gear every 5,000 to 6,000 miles. *(Maker's Recommendation.)*

Remove the cover band to inspect commutator and brush gear.

The brushes are held in contact with the commutator by means of springs. Move each brush, see they are free to slide in their holders, if dirty, or if sticking, remove and clean with a cloth moistened with petrol. Take care to replace brushes in their original positions, otherwise they will not " bed " properly on the commutator.

If, after long service, the brushes have become worn to such an extent that the brush flexible wire is exposed on the running face, or if the brushes do not make good contact with the commutator, they must be replaced by genuine LUCAS brushes.

The commutator must be free from any trace of oil or dirt and should have a highly polished appearance. Clean a dirty, or blackened, commutator by pressing a fine dry cloth against it while the engine is slowly turned over by means of the kick-starter. (It is an advantage to remove the sparking plug before doing this). If the commutator is very dirty, moisten the cloth with petrol.

At every 10,000 miles, the complete dynamo should be handed to a **Lucas Service Station** for dismantling, replacement of worn parts, cleaning and lubrication.

Electrical breakdown of the dynamo is most unusual and therefore before assuming this unit is defective, it should be tested as follows :

Check that the dynamo, regulator and battery are correctly connected.

To remove the dynamo (see page 79)

Test Dynamo in position by :

- (a) Remove the two wires from the dynamo terminals and connect the **two** terminals with a short length of wire.
- (b) Start the engine and set to run at normal idling speed.
- (c) Connect the negative lead of a moving coil voltmeter (calibrated not less than 0 to 10 volts) to either of the two dynamo terminals and connect the positive lead to a good earth point on the dynamo or engine.
- (d) Gradually increase the engine speed, when the voltmeter reading should rapidly rise and without fluctuation.

Do not allow the voltmeter reading to rise above 10 volts.

Do not race the engine in an attempt to increase the voltage. It is sufficient to run up the engine to a speed of 1,000 r.p.m.

If the above reading is obtained the dynamo is in order.

If there is no reading, check the brush gear.

If there is a low reading of approximately $\frac{1}{2}$ volt, the field winding may be at fault.

If there is a low reading of approximately $1\frac{1}{2}$ to 2 volts, the armature winding may be at fault.

If the tests, mentioned above, clearly indicate the dynamo is not charging, it is then desirable to remove the dynamo from the machine in order to make further tests and repairs or replacements.

TO REMOVE THE DYNAMO

Remove the left side foot rest arm.

Place a tray under primary chaincase to catch the oil.

Remove chaincase band binding screw and remove metal band and also endless rubber band.

Remove nut and washer in centre of chaincase when outer half can be taken away.

Remove spring circlip, locking plate and nut securing dynamo sprocket and withdraw sprocket with a suitable tool. (Use spanner 0172S4 to hold sprocket while nut is being slackened, this relieves the dynamo shaft of all bending strain).

Detach dynamo cables and loosen dynamo clamping bolt to fullest extent.

Twist dynamo by hand until the locating strip on its body is in line with the keyway cutaway in the rear engine plate housing the dynamo, in which position same can be withdrawn tilting upwards to clear gear box while doing so (see illustration 31.)

To re-fit the dynamo, reverse the foregoing taking care to accurately locate the dynamo sprocket key when applying the sprocket. See separate instructions for correct dynamo chain adjustment and re-fitting outer half of chaincase. Ensure that dynamo sprocket securing nut is well tightened before refitting locking plate and retaining circlip.

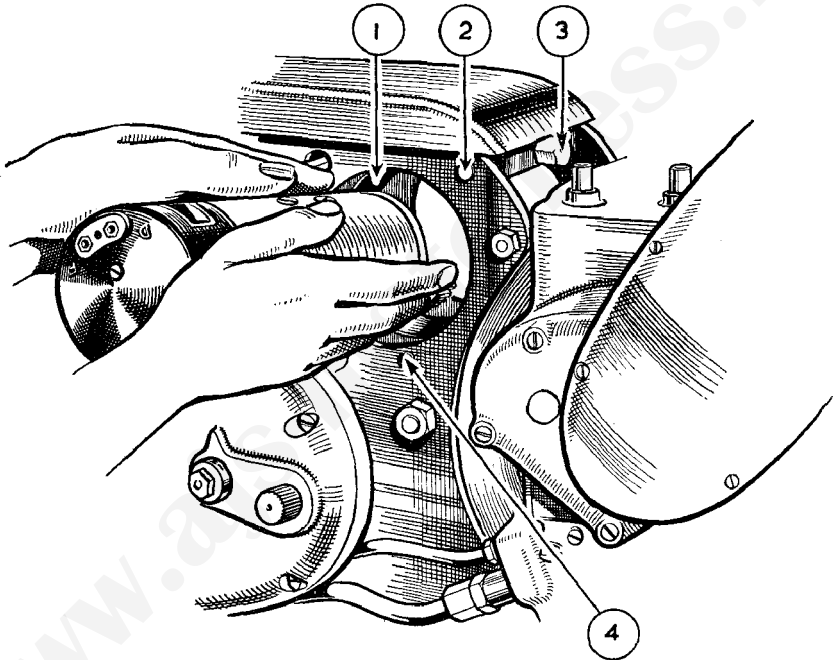


Illustration 31

- 1 STRAP (metal) CLAMPING DYNAMO IN POSITION.
2. SQUARE CROSSBAR, TO ACCOMMODATE THE BOLT WHICH TIGHTENS DYNAMO CLAMPING STRAP.
3. BOLT, FOR TIGHTENING DYNAMO CLAMPING STRAP.
4. HINGE PIN FOR ANCHORING LOWER END OF DYNAMO CLAMPING STRAP.

The cut-out and regulator unit (A.V.C.), is type **MCR-2**, and the replacement part number is 37144-A.

Although the voltage regulator and the cut-out are combined structurally, they are electrically separate.

The regulator is set to maintain a pre-determined generator voltage at all speeds and regulates the output of the dynamo to the battery according to the state of charge of the battery. The charge rate is at its maximum when the battery is discharged, automatically tapering off to a minimum as the battery becomes charged and its voltage rises.

Normally, during day-time running, when the battery is in good condition, the dynamo gives only a trickle charge, so that the ammeter reading will seldom exceed 1 to 2 amperes, *i.e.* half to one division on scale. The cut-out is an automatic switch which is connected between the dynamo and the battery. When the engine is running fast enough to cause the voltage of the dynamo to exceed that of the battery the cut-out allows the battery to be charged by the dynamo. On the other hand, when the engine speed is low, or the engine is stationary, the cut-out disconnects the battery from the dynamo, thereby preventing current flowing back from the battery to the dynamo, a proceeding that would soon cause the battery to become completely discharged.

The regulator and cut-out are accurately set during manufacture. If, under normal running conditions, it is found that the battery is continually in a low state of charge, or is being constantly over-charged, then the regulator setting should be checked by a qualified electrician and, if necessary, re-set. Whenever possible, this should be carried out by a Lucas Service Depot or Agent.

The A.V.C. Unit is retained by two bolts with self-locking nuts. The self locking nature of the nuts prevents subsequent slacking off. The four terminals of the A.V.C. Unit are plainly marked by the letters F.A.D.E. Wires from F and D go to similarly marked terminals on the dynamo. The A terminal is connected to one of the ammeter terminals and the E terminal is "earthed."

We specially warn against unskilled meddling with the settings of the regulator and the cut-out contacts.

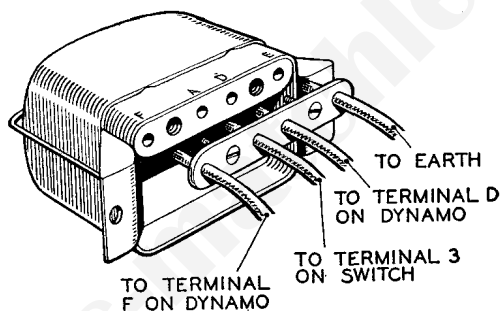


Illustration 32

**Showing connections to regulator
and cut-out unit Type MCR-2**

Later machines may be fitted with a new A.V.C. Unit type **RB-107**, but the foregoing notes will still apply with the exception of terminal grouping which will be F.A.E.D.

Battery

The battery fitted is LUCAS type **PUE/9** This is a lead-acid battery in which the electrolyte is in free liquid form. The voltage is 6 and the capacity is 12 ampere hours.

Maintenance once every 14 days

Remove battery cover, brush dirt from top of battery and remove vent plugs. (There are three vent plugs.)

NOTE—**NEVER** bring a naked light near a battery when the vent plugs have been removed, or when the battery is being charged, as the gas given off by the electrolyte is highly explosive.

The specific gravity of the electrolyte indicates the state of charge of the battery. With a fully charged battery the specific gravity of the electrolyte should be 1.280 to 1.300. Check the gravity by means of a hydrometer, and if it is below 1.150 the battery should be charged as soon as possible by the normal running of the motor cycle. If this cannot be arranged, the battery should be charged from an external source.

If the level of the electrolyte is so low that a hydrometer reading cannot be taken, no attempt should be made to take a reading after adding distilled water until the battery has been on charge for at least 30 minutes.

NEVER transfer the electrolyte from one cell to another.

NEVER leave a battery in a discharged condition. It must be put on charge as soon as possible.

Check If the electrolyte in each cell is level with the top of the separators. Top-up, if necessary, with distilled water. Do not allow the distilled water to come into contact with metals—always only use a glass or earthenware container and funnel. See filling instructions on underside of battery lid.

If a battery is found to need an excessive amount of topping-up, steps should be taken to find out the reason. For example, the battery may be receiving an excessive charge, in which case the regulator setting may need adjustment. If one cell in particular needs topping-up more than another, it is likely the case, or container, is cracked, in which event the battery must be replaced and arrangements made to clean up the battery carrier.

Metal parts should be well cleaned and, if possible, washed, with a solution of ammonia, or bicarbonate of soda, in water.

Vent plugs should be kept clean and air passages in them kept free. Re-fix vent plugs tightly.

Keep the battery, and surrounding parts, particularly the tops of the cells, clean and dry. Brush away any sand, dust or road slush.

Battery electrolyte, which contains sulphuric acid in a diluted form, is destructive to practically everything except rubber, lead, glass or earthenware. Therefore, rags used to clean battery tops, etc., should be thrown away afterwards. If put back in the tool box they will cause the tools to rust.

Assuming the temperature of the electrolyte is about 60° F. a test with a hydrometer quickly shows the state of charge, as under :

Reading 1.280 to 1.300 indicates fully charged.

Reading about 1.210 indicates half discharged.

Reading below 1.150 indicates fully discharged.

If the electrolyte exceeds this, .002 must be added to the hydrometer reading for each 5° F. rise to give the specific gravity at 60° F. Similarly, .002 must be subtracted from the hydrometer reading for every 5° F. below 60° F.

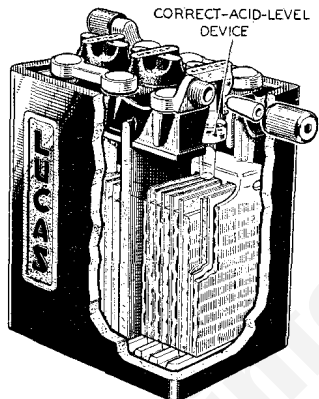


Illustration 33

**Lucas PU7E/9
Battery**

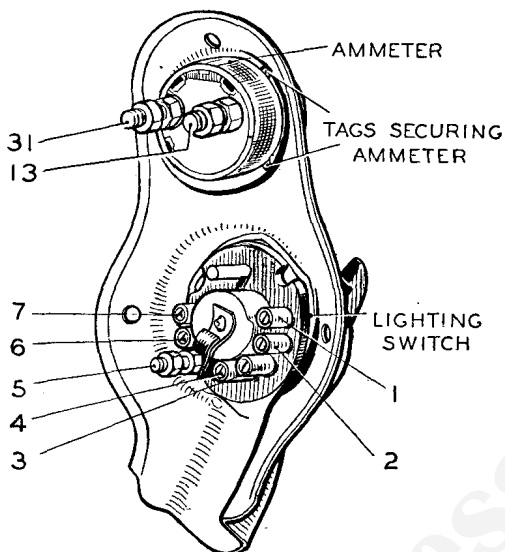


Illustration 34

Showing lamp panel containing ammeter (at top) switch and cable harness.

The ammeter fitted is type CZU-27.

(See page 84 for numbered references.)

LIGHTING AND ACCESSORIES

Headlamp

A LUCAS headlamp is fitted and snugly mounted on each side is a neat torpedo shaped pilot lamp. These pilot lamps and also the headlamp are secured to the front fork arms by means of tubular bolts through which a wire passes to each pilot lamp. The headlamp has a panel mounted on its top retained by three screws (see Illustration 34). This panel carries the main switch and ammeter. The headlamp bulb has two filaments one of which provides the main driving beam and the other a dipped beam brought into operation as required by the dipping switch on the left handlebar. The headlamp reflector and glass are made up as one assembly and are in consequence not sold separately as spares. The main bulb is of the pre-focus type and the design of its holder is such that the bulb is correctly positioned in the reflector. No focussing is therefore necessary when a replacement bulb is fitted. See Controls page 7 for switch functions.

To remove headlamp rim and light unit

Slacken the screw on the top of the lamp body at the front, pull the rim outward from the top and, as the front comes away, lower slightly to disengage the bottom tag from the lamp shell. Twist the back cap in an anti-clockwise direction and pull it off, the bulb can then be removed. The light unit is secured to the rim by means of spring clips. These can be disengaged from the turned up inner edge of the rim by pressing with a screwdriver blade and, at the same time, working away from the edge.

To replace the headlamp rim and light unit

Lay the light unit in the rim so that the location block on the unit back engages with the forked bracket on the rim.

Replace, by springing in, the spring clips so that they are evenly spaced around the rim. To replace the back cap engage the projections on the inside of the back cap with the slots in the holder, press on and secure by twisting it to the right.

Engage bottom tag on lamp rim with the small slit in the shell and gently force the top of the rim back into the shell, after which re-tighten the locking screw on the top of the lamp body.

Access to the pilot lamps interior for bulb removal is obtained by removing the screw at the rear end and gently pulling forward on the glass rim.

Rear lamp

A LUCAS rear lamp is fitted. The body, with bulb holder, is secured to the rear number plate.

Details of lamp bulbs are given in " DATA."

Horn

The horn push switch, situated on the right handlebar.

Fuses

There are no detachable fuses in LUCAS motor cycle electrical equipment.

Snap wire connector

The LUCAS snap connector, as shown in Illustration 35, is made up of four components. Two are tubular sleeves, having pointed extremities, and which are soldered to the ends of the two wires to be connected. The third part is the centre split ferrule, into which the two sleeves snap and the fourth component is a rubber sleeve which covers the whole connector. That rubber sleeve serves the dual purpose of insulating the various metal parts and also preventing same from separation as the result of vibration.

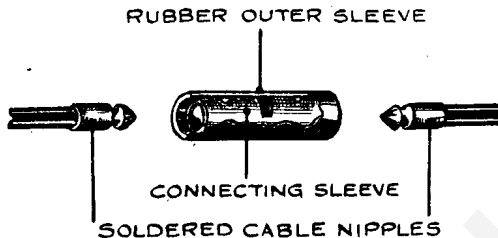


Illustration 35

Lucas snap connector
Part number 900269

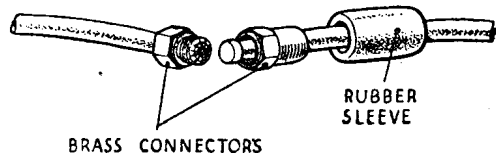
One snap connector is used in the rear lamp wire and another is used in the wire connecting the regulator unit to the output side of the ammeter in the head lamp. Two more are used in the headlamp interior (pilot lamp wires).

Screwed wire connector

A LUCAS screwed connector of the type shown in Illustration 36 is used in the wire connecting the terminal of the battery to the input side of the ammeter in the head lamp. It is made up of four parts. One part, a metal sleeve, is threaded internally and accommodates a collet which is placed on the end of one of the wires to be connected in such a manner that the wire ends protrude through the centre of the collet. The third metal part screws into the first and has passing through it the second of the wires to be connected. The wire ends are splayed out and the act of screwing the two threaded parts together binds the ends of the two wires, thereby making a good electrical contact that can be immediately broken as, and when, it is wished to remove the battery from the machine. A rubber sleeve encircles the whole assembly, serving the dual purpose of insulation and prevention of loss through vibration.

Illustration 36

Lucas screwed wire connector
Part number 571395

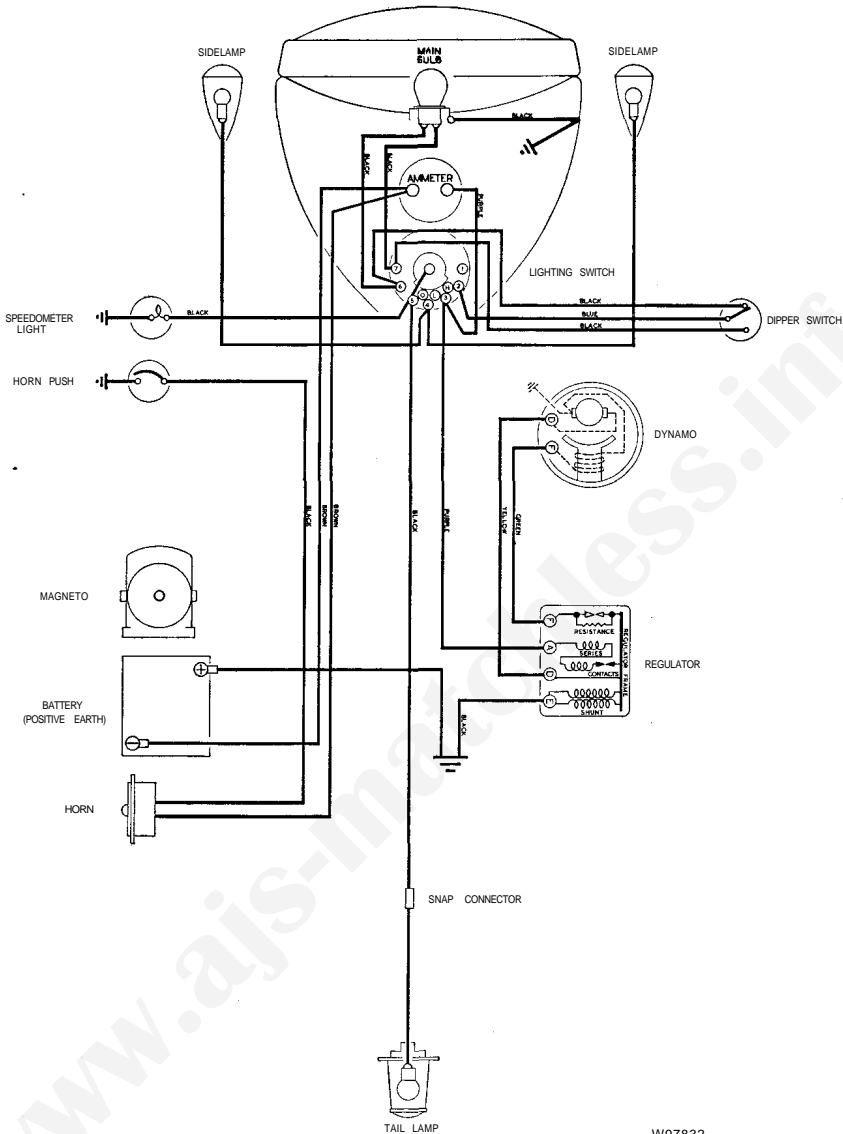


Terminals

All models have the POSITIVE battery terminal connected to " EARTH ".

The earth wires (two—one from regulator, the other from terminal of battery) and the high-tension wire (on sparking plug end of wire from magneto to sparking plug) have terminals of the solid sleeve type having an eye at the extreme end. To make such a connection, it is necessary to bare the end of the wire for $\frac{3}{8}$ " , pass the terminal over the wire so that the bared end fully enters the reduced core of the terminal and then flatten that part by either pinching in a vice or by hammering.

The two earth wires, mentioned above, are connected to the " earth " by securing them to the left side of the seat lug bolt (which is situated just under the saddle) by means of a washer and a screw. It is essential that the connections are kept clean and the screw must be kept fully tight.



W97832

| KEY TO CABLE COLOURS | | | |
|----------------------|---------------------|--------------------|--|
| 1 BLUE | 17 GREEN WITH RED | 34 RED WITH GREEN | |
| 2 BLUE WITH RED | 18 GREEN WITH BLACK | 35 RED WITH WHITE | |
| 3 BLUE WITH RED | 19 GREEN WITH BLACK | 36 RED WITH BLACK | |
| 4 BLUE WITH RED | 20 GREEN WITH BLUE | 37 RED WITH BLUE | |
| 5 BLUE WITH RED | 21 GREEN WITH RED | 38 RED WITH YELLOW | |
| 6 BLUE WITH RED | 22 GREEN WITH BLACK | 39 RED WITH WHITE | |
| 7 BLUE WITH BLACK | 23 GREEN WITH RED | 40 RED WITH GREEN | |
| 8 BLUE WITH RED | 24 GREEN WITH BLACK | 41 RED WITH GREEN | |
| 9 BLUE WITH RED | 25 GREEN WITH BLACK | 42 RED WITH GREEN | |
| 10 BLUE WITH RED | 26 GREEN WITH BLACK | 43 RED WITH GREEN | |
| 11 BLUE WITH RED | 27 GREEN WITH BLACK | 44 RED WITH WHITE | |
| 12 BLUE WITH RED | 28 GREEN WITH BLACK | | |
| 13 BLUE WITH RED | 29 GREEN WITH BLACK | | |
| 14 BLUE WITH RED | 30 GREEN WITH BLACK | | |
| 15 BLUE WITH RED | 31 GREEN WITH BLACK | | |
| 16 BLUE WITH RED | 32 GREEN WITH BLACK | | |
| 17 GREEN WITH RED | 33 GREEN WITH BLACK | | |
| 18 GREEN WITH BLACK | 34 RED WITH GREEN | | |
| 19 GREEN WITH BLACK | 35 RED WITH WHITE | | |
| 20 GREEN WITH BLUE | 36 RED WITH BLACK | | |
| 21 GREEN WITH RED | 37 RED WITH YELLOW | | |
| 22 GREEN WITH BLACK | 38 RED WITH WHITE | | |
| 23 GREEN WITH RED | 39 RED WITH GREEN | | |
| 24 GREEN WITH BLACK | 40 RED WITH GREEN | | |
| 25 GREEN WITH BLACK | 41 RED WITH GREEN | | |
| 26 GREEN WITH BLACK | 42 RED WITH GREEN | | |
| 27 GREEN WITH BLACK | 43 RED WITH GREEN | | |
| 28 GREEN WITH BLACK | 44 RED WITH WHITE | | |
| 29 GREEN WITH BLACK | | | |
| 30 GREEN WITH BLACK | | | |
| 31 GREEN WITH BLACK | | | |
| 32 GREEN WITH BLACK | | | |
| 33 GREEN WITH BLACK | | | |
| 34 RED WITH GREEN | | | |
| 35 RED WITH WHITE | | | |
| 36 RED WITH BLACK | | | |
| 37 RED WITH YELLOW | | | |
| 38 RED WITH WHITE | | | |
| 39 RED WITH GREEN | | | |
| 40 RED WITH GREEN | | | |
| 41 RED WITH GREEN | | | |
| 42 RED WITH GREEN | | | |
| 43 RED WITH GREEN | | | |
| 44 RED WITH WHITE | | | |

Illustration 37

Wiring diagram

REPAIRS AND SERVICE

REPAIRS

The instructions regarding repairs should be clear and definite, otherwise the cost may be greater than that expected. We shall be pleased to give estimates for repairs if parts are sent to us for that purpose. If the estimate is accepted, no charge is made for the preliminary examination, but, should it be decided not to have the work carried out, it **MAY** be necessary to make a charge to cover the cost of whatever dismantling and re-assembly may have been done to prepare the estimate.

Customers desiring that old parts which are replaced with new during the course of overhaul or repair be retained must make the fact known prior to the work being put in hand because, normally, such parts, having no further useful life, are scrapped upon removal.

Parts sent to us as patterns, or for repair, should have attached to them a label bearing the sender's full name and address. The instructions regarding such parts should be sent under separate cover.

If it is necessary to bring a machine, or parts, to the Works for an urgent repair, **IT IS ESSENTIAL** you **MAKE AN APPOINTMENT** beforehand to **AVOID DISAPPOINTMENT**. This can be done by letter or telephone.

CORRESPONDENCE AND ORDERS

Our routine is organised into different departments, therefore delay cannot be avoided if matters relating to more than one department are contained in one letter.

Consequently, it is desirable, when communicating with more than one department, to do so on **SEPARATE SHEETS**, each of which should bear your name and address. When writing on a technical matter, or when ordering spares, it is essential to quote the **COMPLETE ENGINE NUMBER**. Some numbers have one, or more, letters incorporated in them and these letters **MUST BE QUOTED**, otherwise model identification is not possible.

Orders should always be sent in list form and not as part of a letter.

Owners are strongly advised to purchase a Spare Parts List so that correct part numbers can be quoted. Most parts are clearly illustrated in this list which makes it very easy to recognize the part or parts required.

PROPRIETARY FITTINGS

No expense is spared to secure and fit the most suitable, and highest quality, instruments and accessories for the standard equipment of our machines.

Nevertheless, our Guarantee does not cover such parts and, in the event of trouble being experienced, the parts in question should be returned to, and claims made, direct on the actual manufacturers who will deal with them on the terms of their respective guarantees.

Those manufacturers are :

| | |
|-----------------------------|--|
| Carburettors | Messrs. Amalgamated Carburettors Ltd., Holford Road, Witton, Birmingham, 6 |
| Chains | The Renold and Coventry Chain Co. Ltd., Didsbury, Manchester |
| Electrical Equipment | Messrs. Joseph Lucas Ltd., Great King Street, Birmingham, 19 |
| Gear Boxes | Messrs. Burman & Sons Ltd., Wychall Lane, King's Norton, Birmingham, 30 |
| Sparking Plugs | K.L.G. Sparking Plugs Ltd., Putney Vale, London, S.W.15 |
| Speedometers | Messrs. S. Smith & Sons (M.A.) Ltd., Cricklewood, London |
| Tyres | Messrs. Dunlop Rubber Co. Ltd., Fort Dunlop, Birmingham |
| Air Filter | Messrs. Vokes Ltd., Henley Park, Nr. Guildford, Surrey |

All the above manufacturers except S. Smith & Sons (M.A.) Ltd., issue instructive literature regarding their products which is obtainable by writing to them.

SERVICE

The Service and Repair Department is situated in **Burrage Grove**, Plumstead, **London, S.E.18**, and is open on Mondays to Fridays from 8.30 a.m. to 12.55 p.m.—2.0 p.m. to 5.30 p.m. It is closed on Saturdays, Sundays and National Holidays.

It exists for the purposes of :

- (a) Giving technical assistance verbally or through the post.
- (b) Supplying spare parts over the counter or through the post.
- (c) Repairing and re-conditioning machines, or parts of machines, of our make.

Burrage Grove is the first turning on the left from Burrage Road when entering Burrage Road from the Plumstead Road. (See final paragraph below.)

The nearest Railway Station is **WOOLWICH ARSENAL, SOUTHERN REGION RAILWAY**. This Station is five minutes walk from our Service Depot in Burrage Grove. There is an excellent service of electric trains from Charing Cross, Waterloo, Cannon Street and London Bridge Stations, Southern Region Railway.

Bus routes 53, 54, 99 122 and 122a. Trolleybus routes, 696 and 698 pass the end of Burrage Road (one minute from the Service Depot).

Bus routes 21a, 75 and 161 serve **Beresford Square** which is three minutes walk from the **Service and Repair Department**.

Visitors from the North can pass into Woolwich *via* the Free Ferry between North Woolwich and Woolwich. North Woolwich is a British Railways terminus and is also served by Bus and Trolleybus routes 101, 569, 669 and 685. There is also a tunnel under the River Thames at this point for foot passengers. The Free Ferry accommodates all types of motor vehicles and there is a very frequent service. The Southern landing stage is less than a mile from the Service Depot.

Visitors arriving by road, if they are strangers to the locality, should enquire for **Beresford Square, Woolwich**. Upon arrival there, the road skirting the Royal Arsenal should be followed in an Easterly direction for about four hundred yards, and Burrage Road is the second turning on the right after leaving the Square. Burrage Grove is then the first turning on the left.

THE DRIVER AND THE LAW

The driver of a motor cycle **MUST** be **INSURED** against Third Party Claims and **MUST** be able to produce an **INSURANCE CERTIFICATE** showing that such an insurance is in force.

If your Insurance Certificate specifies you can only drive one particular machine you **MUST NOT DRIVE** any other machine unless its owner has a current Certificate covering "**ANY DRIVER**" and it is advisable to remember that, in the absence of such a provision the penalties for doing so are very heavy.

The driver of a motor cycle **MUST** hold a current **DRIVING LICENCE**. If you are a learner and hold a Provisional Driving Licence, your machine must show, front and back, the standard "L" plates in red and white and you must not take a **PILLION PASSENGER** unless that passenger is the holder of a current **UNRESTRICTED** driving licence.

As soon as you receive your driving licence, sign it in the appropriate place and do so each time it is renewed. It is an offence not to.

Make sure you are well acquainted with the recommendations set down in the "Highway Code," a copy of which can be obtained from any main Post Office.

THE MACHINE AND THE LAW

Every motor cycle used on the public roads must be registered and carry the registration numbers and licence disc allotted to it. The dealer, from whom the machine is bought, will, generally, attend to all matters legally essential before it is used on the public roads.

To register a new machine

Send to the Local Registration Authority the following :

- (a) Form " RF1/2," duly completed.
- (b) The certificate of insurance.
- (c) The invoice you received from your dealer when you purchased the machine.
- (d) The appropriate registration fee.

In due course you will receive :

- (1) A Registration Book. (Commonly called the " log " book.)
- (2) A Licence Disc.
- (3) Your Insurance Certificate.
- (4) Your Invoice.

The Registration Book and the Licence Disc will bear the registration numbers that have been allotted to your machine and will also show the date the Road Licence expires.

Your number plates must then be painted, in white upon a black background, with the registration numbers in characters of even thickness as follows :

The numbers on the front plate must be $1\frac{3}{4}$ " high, $1\frac{1}{4}$ " wide and $\frac{5}{16}$ " thick with spaces of $\frac{1}{2}$ " between each two characters.

The numbers on the rear plate must be $2\frac{1}{2}$ " high, $1\frac{3}{4}$ " wide and $\frac{3}{8}$ " thick with spaces $\frac{1}{2}$ " between each two characters.

The Licence Disc must be enclosed in a water-tight container, having a transparent front, and this must be fixed to the machine in a conspicuous position, near the front and on the left-hand side.

It is not legally necessary to carry your Driving Licence, Insurance Certificate and Registration Book while driving your machine.

Ignition Suppressors

As required by law all 1954 Home models are issued with an approved type of radio interference suppressor already installed.

Speedometer

A speedometer **MUST** be fitted and it **MUST BE** so **ILLUMINATED** that it is possible to read the dial after lighting up time.

Lamps

During the official "**LIGHTING UP**" hours the machine must exhibit a white light facing forwards and a red light facing rearwards. The rear number plate must be adequately illuminated by a white light.

Each front electric light bulb **MUST** be marked with its "Wattage." (Beware of cheap, imported, bulbs that do not have this marking.)

All motor cycles made by us have electric equipment that complies with the law regarding position, size of bulbs, marking on bulbs and the correct illumination of the rear number plate.

GUARANTEE

We give the following guarantee with our motorcycles, motorcycle combinations and sidecars, which is given in place of any implied conditions, warranties or liabilities whatsoever, statutory or otherwise, all such implied conditions, warranties and liabilities being in all cases excluded. Any statement, description, condition or representation contained in any catalogue, advertisement, leaflet or other publication shall not be construed as enlarging, varying or overriding this guarantee. In the case of machines (a) which have been used for " hiring-out " purposes or (b) any motorcycle and/or sidecar used for any dirt track, cinder track or grass track racing or competitions (or any competition of any kind within an enclosure for which a charge is made for admission to take part in or view the competition) or (c) machines from which the trade mark, name or manufacturing number has been removed, no guarantee, condition or warranty of any kind is given or is to be implied.

We guarantee, subject to the conditions mentioned below, that all precautions which are usual and reasonable have been taken by us to secure excellence of materials and workmanship, but this guarantee is to extend and be in force for six months only from date of purchase, and damages for which we make ourselves responsible under this guarantee are limited to the free supply of a new part in exchange for the part of the motorcycle, motorcycle combination or sidecar which may have proved defective. We do not undertake to replace or refix, or bear the cost of replacing or refixing, such new part in the motorcycle, motorcycle combination or sidecar. We undertake, subject to the conditions mentioned below, to make good at any time within six months any defects in these respects. As motorcycles, motorcycle combinations and sidecars are easily liable to derangement by neglect, or misuse, this guarantee does not apply to defects caused by wear and tear, misuse or neglect.

The term " misuse " shall include amongst others the following acts :—

1. The attaching of a sidecar to a motorcycle in such a manner as to cause damage or calculated to render the latter unsafe when ridden.
2. The use of a motorcycle or of a motorcycle and sidecar combined, when carrying more persons or a greater weight than that for which the machine was designed by the manufacturers.
3. The attaching of a sidecar to a motorcycle by any form of attachment not provided, supplied or approved by us or to a motorcycle which is not designed for such use.

Any motorcycle, motorcycle combination or sidecar sent to us to be plated, enamelled or repaired will be repaired upon the following conditions, i.e., we guarantee that all precautions which are usual and reasonable have been taken by us to secure excellence of materials and Workmanship, such guarantee to extend and be in force for three months only from the time such work shall have been executed or until the expiration of the six months above referred to, and this guarantee is in lieu and in exclusion of any common law or statute warranty or condition, and the damages recoverable are limited to the cost of any further work which may be necessary to amend and make good the work found to be defective.

CONDITIONS OF GUARANTEE

If a defective part should be found in our motorcycles, motorcycle combinations or sidecars, or in any part supplied by way of exchange before referred to, it must be sent to us CARRIAGE PAID and accompanied by an intimation from the owner that he desires to have it repaired or exchanged free of charge under our guarantee, and he must also furnish us at the same time with the number of the machine, the date of the purchase or the date when the alleged defective part was exchanged as the case may be.

Failing compliance with the above, such articles will lie here AT THE RISK OF THE OWNER, and this guarantee and any implied guarantee, warranty or condition shall not be enforceable.

We do not guarantee specialities such as tyres, saddles, chains, electrical equipment, lamps, etc., or any component parts supplied to the order of the Purchaser differing from standard specifications supplied with our motorcycles, motorcycle combinations, sidecars or otherwise.

NOTICE

We do not appoint agents for the sale on our behalf of our motor cycles or other goods, but we assign to motor cycle dealers areas in which we supply to such dealers exclusively for re-sale in such areas. No such Dealer is authorised to transact any business, give any warranty, make any representation or incur any liability on our behalf.

TOOLS AND SPECIAL EQUIPMENT

TOOLS

The standard tool kit, issued with each new machine, contains :

| | | |
|---|--------|---|
| 1 | 017253 | Tool bag. |
| 1 | 017114 | Tyre inflator. |
| 2 | 017007 | Tyre lever. |
| 1 | 017248 | Pliers. |
| 1 | 011188 | Gudgeon pin circlip pliers. |
| 1 | 017256 | Screwdriver. |
| 1 | 017246 | Grease gun. |
| 1 | 017249 | Adjustable wrench. |
| 1 | 017252 | Sparking plug box spanner and tommy bar. |
| 1 | 017254 | Dynamo spanner and clutch spring nut key. |
| 1 | 018178 | Double end spanner, 1-010 in. by 1-200 in. |
| 2 | 017052 | Double end spanner. Small. |
| 1 | 017053 | Double end spanner. Large. |
| 1 | 017251 | Contact point spanner and gauge (Touring). |
| 1 | 015023 | Contact point spanner and gauge. (Competition) |
| 1 | 017257 | Double end spanner. |
| 1 | 018055 | Handlebar clip screw key. |
| 1 | 018153 | Single spanner for petrol tap. |
| 1 | 018657 | Key for fork crown clamp screw (not illustrated.) |

OPTIONAL EQUIPMENT

The following items of optional equipment are available. They are described and priced in the Spares List.

Stop rear light.

Air cleaner.

Mudguard type pillion seat (Rigid Frame Models).

Pillion footrests, bolted on, to fold up when not in use and specially designed for these machines. (Not on competition).

Detachable luggage carrier. (Not on competition).

Timing disc 015955. A circular timing disc, graduated in degrees and made of ivory. A very useful device.

Valve holder, for valve grinding. Part number 017482.

Valve spring compressor. Part number 018276. (See page 28).

Pannier frames and bags for spring frame and rigid models.

SPARES LIST

An illustrated and priced spares list is available at a cost of 2/6 post free. (See page 28).

GASKET SETS

For convenience in ordering, standard sets of engine washers and gaskets as well as the washers used in the petrol and oil feed systems are stocked. Full details of contents and prices are included in the Spares List.

BADGES

Neat monogram badges are now available at a cost of 1/6, plus 6d. postage. They can be supplied as a tie pin, as a brooch or for fitting in a button hole. When ordering state type required.

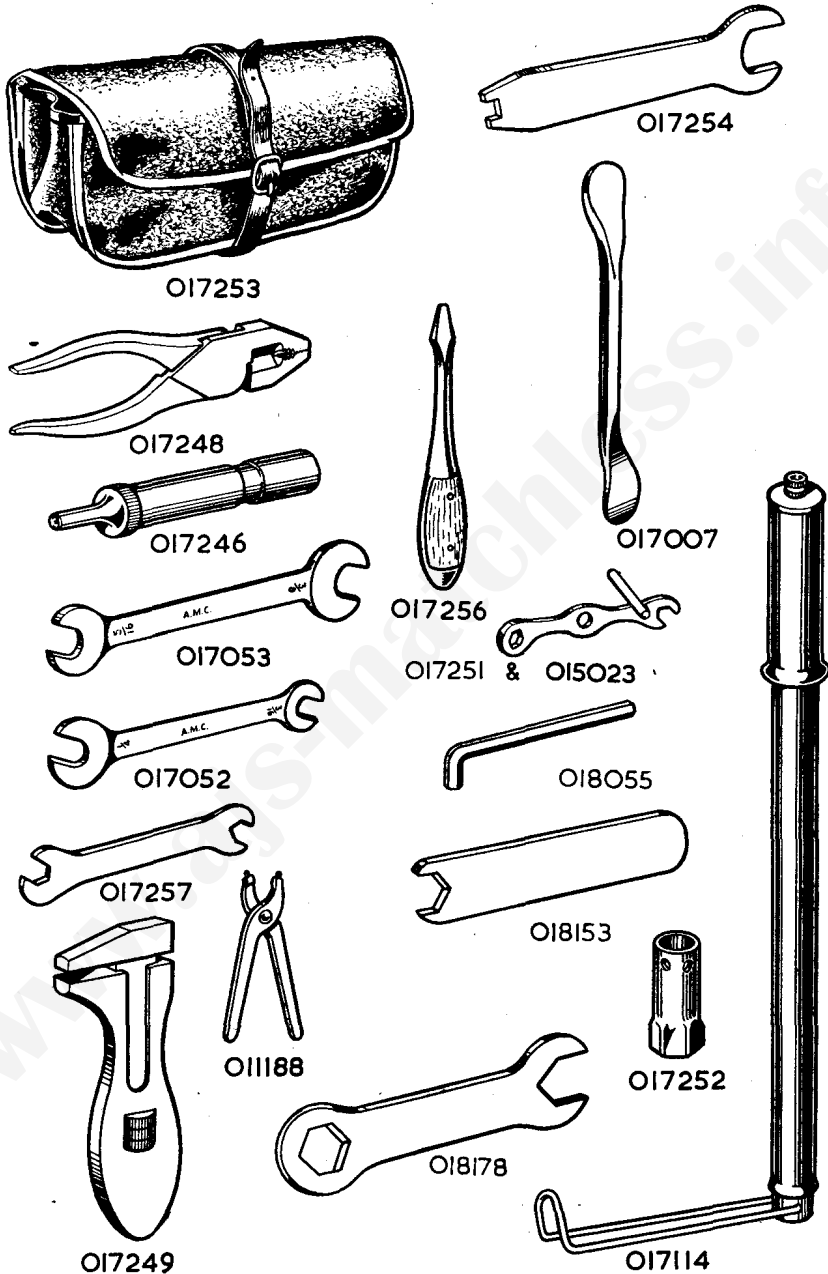


Illustration 38

INDEX

| | Page |
|--------------------------------------|------|
| Carburetter Service | 38 |
| Controls | 7 |
| Data | 4 |
| Driving | 9 |
| Electrical Service | 75 |
| Engine Service | 25 |
| Free Service | 24 |
| Fork and Frame Service | 51 |
| Guarantee | 88 |
| Introduction | 3 |
| Lubrication | 14 |
| Lubrication Chart | 21 |
| Maintenance | 22 |
| Service | 86 |
| Rear teledraulic legs | 57 |
| Repairs and Service | 85 |
| The Law | 87 |
| Tools and Special Equipment | 89 |
| Transmission Service | 41 |
| Useful Information | 72 |
| Wheel, Brake and Tyre Service | 61 |



SPARES AND SERVICE DEPARTMENTS

HOURS OF BUSINESS FOR CALLERS

MONDAYS 8.30 a.m. to 12.55 p.m.
2.0 p.m. to 5.30 p.m.

TUESDAYS Ditto

WEDNESDAYS Ditto

THURSDAYS Ditto

FRIDAYS Ditto

NOT OPEN ON NATIONAL HOLIDAYS

ILLUSTRATIONS

| | Illustration | Page |
|--|--------------|------|
| Battery | 33 | 81 |
| Brake adjustment, front | 24 | 68 |
| Brake adjustment, rear (rigid frame) | 26 | 69 |
| Brake adjustment, rear (spring frame) | 27 | 70 |
| Brake anchorage, rear | 20 | 62 |
| Brake shoe adjustment | 23 | 67 |
| Brake pedal adjustment | 25 | 69 |
| Carburetter | 13 | 37 |
| Clutch | 15 | 46 |
| Contact breaker | 28 | 75 |
| Contact breaker details | 29 | 76 |
| Controls | 1 | 8 |
| Cut-out unit | 32 | 80 |
| Dynamo Removal | 31 | 79 |
| Engine lubrication | 4 | 16 |
| Flywheels | 9 | 29 |
| Fork component details | 17 | 55 |
| Fork damper details | 16 | 52 |
| Gear box | 14 | 40 |
| Gear lever positions | 2 | 10 |
| Hub bearing details | 22 | 65 |
| Hub, rear | 21 | 64 |
| Lamp panel | 34 | 82 |
| Leg, teledraulic, rear | 19 | 58 |
| Lubrication chart | 6 | 21 |
| Oil tank | 3 | 13 |
| Oil pump | 12 | 35 |
| Rear spring frame | 18 | 57 |
| Sparking plug | 30 | 77 |
| Tank fixing details... .. | 7 | 25 |
| Tappet adjustment | 11 | 33 |
| Timing valve, inlet only | 10 | 32 |
| Tools | 38 | 90 |
| Valve lubrication | 5 | 18 |
| Valve spring compressor | 8 | 28 |
| Wire connector, snap type | 35 | 83 |
| Wire connector, srewed type | 36 | 83 |
| Wiring diagram | 37 | 84 |

